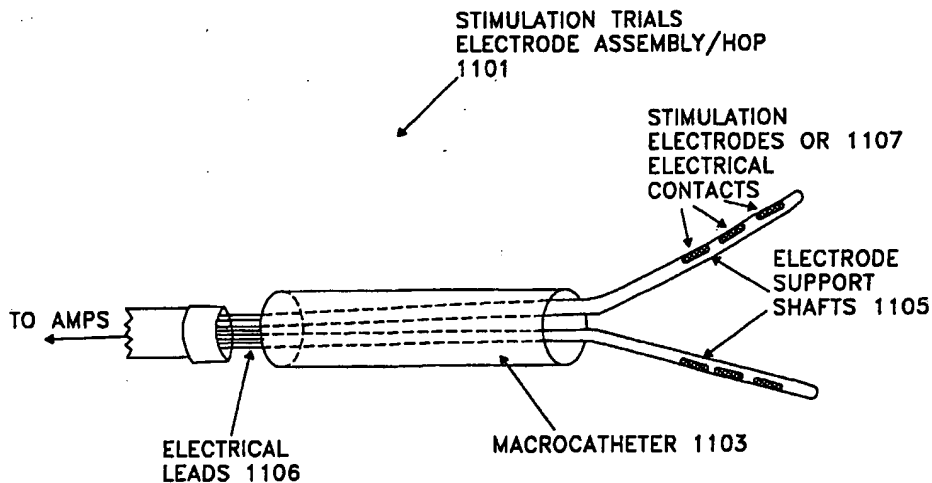




INTERNATIONAL APPLICATION PUBLISHED UNDER THE PATENT COOPERATION TREATY (PCT)

<p>(51) International Patent Classification ⁶ : A61B 19/00</p>	<p>A1</p>	<p>(11) International Publication Number: WO 99/00067 (43) International Publication Date: 7 January 1999 (07.01.99)</p>
<p>(21) International Application Number: PCT/US98/12804 (22) International Filing Date: 25 June 1998 (25.06.98) (30) Priority Data: 08/884,654 27 June 1997 (27.06.97) US (71) Applicant: THE UNIVERSITY OF IOWA RESEARCH FOUNDATION [US/US]; 214 Technology Innovation Center, Oakdale Research Campus, Iowa City, IA 52242 (US). (72) Inventor: HOWARD, Matthew, A., III; 2550 Bluffwood Circle, Iowa City, IA 52242 (US). (74) Agent: FLESHNER, Mark, L.; Suite 125, 14500 Avion Parkway, Chantilly, VA 20151 (US).</p>	<p>(81) Designated States: AL, AM, AT, AU, AZ, BA, BB, BG, BR, BY, CA, CH, CN, CU, CZ, DE, DK, EE, ES, FI, GB, GE, GH, HU, IL, IS, JP, KE, KG, KP, KR, KZ, LC, LK, LR, LS, LT, LU, LV, MD, MG, MK, MN, MW, MX, NO, NZ, PL, PT, RO, RU, SD, SE, SG, SI, SK, SL, TJ, TM, TR, TT, UA, UG, UZ, VN, YU, ZW, ARIPO patent (GH, GM, KE, LS, MW, SD, SZ, UG, ZW), Eurasian patent (AM, AZ, BY, KG, KZ, MD, RU, TJ, TM), European patent (AT, BE, CH, CY, DE, DK, ES, FI, FR, GB, GR, IE, IT, LU, MC, NL, PT, SE), OAPI patent (BF, BJ, CF, CG, CI, CM, GA, GN, ML, MR, NE, SN, TD, TG).</p> <p>Published <i>With international search report.</i></p>	

(54) Title: STEREOTACTIC HYPOTHALAMIC OBESITY PROBE



(57) Abstract

This invention is an apparatus, and methods for regulating the appetite of an individual suffering from morbid obesity, the apparatus including a plurality of stimulation electrodes (1107) arranged longitudinally on at least one electrode support shaft (1105) for insertion within the hypothalamus for out-putting electrical discharges to specific sites within the hypothalamus. Each of the plurality of stimulation electrodes (1107) may be independently controlled. Electrical discharge of various frequencies transmitted from one or more of the plurality of stimulation electrodes (1107), and delivered to a region of the hypothalamus that is involved with either stimulating or inhibiting appetite, may be used to regulate appetite in the individual. Alternatively, an individual's appetite may be regulated by the micro-infusion from at least one micro-infusion catheter (1005) of an appropriate quantity of a suitable drug to a distinct site or region within the hypothalamus.

FOR THE PURPOSES OF INFORMATION ONLY

Codes used to identify States party to the PCT on the front pages of pamphlets publishing international applications under the PCT.

AL	Albania	ES	Spain	LS	Lesotho	SI	Slovenia
AM	Armenia	FI	Finland	LT	Lithuania	SK	Slovakia
AT	Austria	FR	France	LU	Luxembourg	SN	Senegal
AU	Australia	GA	Gabon	LV	Latvia	SZ	Swaziland
AZ	Azerbaijan	GB	United Kingdom	MC	Monaco	TD	Chad
BA	Bosnia and Herzegovina	GE	Georgia	MD	Republic of Moldova	TG	Togo
BB	Barbados	GH	Ghana	MG	Madagascar	TJ	Tajikistan
BE	Belgium	GN	Guinea	MK	The former Yugoslav Republic of Macedonia	TM	Turkmenistan
BF	Burkina Faso	GR	Greece	ML	Mali	TR	Turkey
BG	Bulgaria	HU	Hungary	MN	Mongolia	TT	Trinidad and Tobago
BJ	Benin	IE	Ireland	MR	Mauritania	UA	Ukraine
BR	Brazil	IL	Israel	MX	Mexico	UG	Uganda
BY	Belarus	IS	Iceland	NE	Niger	US	United States of America
CA	Canada	IT	Italy	NL	Netherlands	UZ	Uzbekistan
CF	Central African Republic	JP	Japan	NO	Norway	VN	Viet Nam
CG	Congo	KE	Kenya	NZ	New Zealand	YU	Yugoslavia
CH	Switzerland	KG	Kyrgyzstan	PL	Poland	ZW	Zimbabwe
CI	Côte d'Ivoire	KP	Democratic People's Republic of Korea	PT	Portugal		
CM	Cameroon	KR	Republic of Korea	RO	Romania		
CN	China	KZ	Kazakstan	RU	Russian Federation		
CU	Cuba	LC	Saint Lucia	SD	Sudan		
CZ	Czech Republic	LI	Liechtenstein	SE	Sweden		
DE	Germany	LK	Sri Lanka	SG	Singapore		
DK	Denmark	LR	Liberia				
EE	Estonia						

STEREOTACTIC HYPOTHALAMIC OBESITY PROBE

BACKGROUND OF THE INVENTION

1. Field of the Invention

5 This invention relates generally to an apparatus and method for delivering and detecting electrical signals to/from the patient's brain. In one embodiment, this invention also relates to an apparatus and method for performing ablative surgery on a patient. In particular the invention is concerned with an apparatus and method for performing brain surgery; and more particularly the invention is concerned with an apparatus and method for performing brain surgery by monitoring and selectively
10 inactivating specific regions within the brain. The invention is also concerned with an apparatus and method for delivering therapeutic drugs, and more particularly is concerned with an apparatus and method for delivering therapeutic drug to a specific region within a patient's brain tissues, by monitoring and selectively delivering a drug
15 to the target tissue. In one embodiment, this invention also relates to an apparatus and method for selective electrical stimulation of a patient's hypothalamus for the purpose of appetite regulation. In yet another embodiment, this invention relates to an apparatus and method for localized drug treatment for the purpose of appetite regulation by drug microinfusion into certain regions of the hypothalamus.

20

2. Background of the Related Art

Prior to the nineteenth century, physicians and scientists believed the brain was an organ with functional properties distributed equally through its mass. Localization of specific functions within subregions of the brain was first demonstrated in the 1800's, and provided the fundamental conceptual framework for all of modern neuroscience and neurosurgery.

As it became clear that brain subregions served specific functions such as movement of the extremities, and touch sensation, it was also noted that direct electrical stimulation of the surface of these brain regions could cause partial reproduction of these functions. Morgan, J.P., "The first reported case of electrical stimulation of the human brain," J. History of Medicine, January 1982:51-63, 1982; Walker, A. E., "The development of the concept of cerebral localization in the nineteenth century," Bull. Hist. Med., 31:99-121, 1957.

Brain Mapping Studies

The most extensive work on electrical stimulation "*mapping*" of the human brain surface was carried out over several decades by Dr. Wilder Penfield, a neurosurgeon and physiologist at the Montreal Neurological Institute, mostly during the early to mid-1900's. He made precise observations during cortical stimulation of hundreds of awake patients undergoing brain surgery for intractable epilepsy. Among his many findings, he noted that stimulation of the visual and hearing areas of the brain reproducibly caused the patients to experience visual and auditory phenomena. Penfield,

W. et al., "Somatic motor and sensory representation in the cerebral cortex of man as studied by electrical stimulation," Brain 60:389-443, 1937; Penfield, W. et al., Epilepsy and the Functional Anatomy of the Human Brain, London: Churchill, 1954; Penfield, W. et al., "The brain's record of auditory and visual experience," Brain, 86:595-696, 1963.

5 Following the results of early human brain mapping studies, electrical stimulation of sensory brain regions to restore lost function was a logical therapeutic extrapolation. Drs. Brindley and Lewin of the University of Cambridge were the first to reduce the concept to practice by implanting a patient with a visual cortex neural prosthetic device. Brindley, G. S. et al., "The sensations produced by electrical stimulation of the visual
10 cortex," J. Physiol. 196:479-493, 1968. Their device consisted of an array of thin, flat electrodes placed on the surface of the visual cortex. The electrodes were remotely controlled with radio signals. A similar system was later tested at the University of Utah by Dr. Dobbelle and colleagues. Dobbelle, W. H. et al., "Artificial vision for the blind: stimulation of the visual cortex offers hope for a functional prosthesis," Science
15 183:440-444, 1974.

Findings from these early British and American studies were consistent. Patients reliably perceived flashes of light (*phosphenes*) during periods of electrical stimulation, and simple patterns of phosphenes could be generated by simultaneously activating multiple contacts. While these findings strongly suggested the eventual feasibility of a cortical
20 visual prosthetic device, many important design problems were insurmountable at that time.

Among these were an inability to precisely stimulate very small volumes of brain, the requirement for high stimulation currents to induce phosphenes, and an inability to access the patient's full "visual space" with the large array of surface electrodes used. Additionally, there were no miniature video cameras and small, powerful computers at the time capable of converting visual images into complex electrical stimulation sequences at ultra high speed.

Penetrating Electrodes as Neural Prostheses

The University of Utah has discontinued visual cortex prostheses research. However, the concept has been pursued at NIH where significant additional advances have been made. Their most important discovery to date relates to the use of needle shaped *penetrating depth electrodes* instead of flat surface stimulating electrodes. Bak, M., et al., "Visual sensations produced by intracortical microstimulation of the human occipital cortex," Med. Biol. Eng. Comput., 28:257-259, 1990. Penetrating electrodes represent a major design improvement. They are placed within the brain tissue itself so there is optimal surface contact with elements of the brain that are targeted for stimulation. As a result, patients perceive visual phosphenes with approximately a thousand-fold less stimulation current than that required when surface electrodes are used. This allows for safe, chronic stimulation of very small discrete volumes of brain.

Additionally, penetrating electrodes transform what was in the past a two dimensional implant-brain interface (*flat disks on the surface of the brain*) into a three dimensional interface (*multiple needle-like electrodes in parallel extending from the surface*

into the brain substance), which vastly increases the device's access to stimulation targets below the surface. To use a television screen analogy, a two dimensional surface-electrode array may have the potential of generating an image on the "screen" composed of approximately one hundred discreet dots ("pixels"), whereas a three-dimensional array would potentially generate an image with many thousands of dots. The huge potential increase in image resolution would be achieved using a small fraction of the stimulation currents used in the past.

Penetrating electrodes have the potential to markedly increase both image quality and the safety of the stimulation process. Human experimental studies continue at the NIH campus. Extramural NIH funding is also directed at supporting engineering research on penetrating electrodes optimally suited for neural prosthetics applications. The University of Michigan, for example, has made use of computer-chip manufacturing techniques to synthesize exquisitely small electrode arrays. The etched electrical contacts on these devices are so small that the distance separating adjacent contacts can be in the range of 50 micrometers, approximately the diameter of two nerve cell bodies. Drake, K. L. et al., "Performance of planar multisite microprobes in recording extracellular single-unit intracortical activity," IEEE Trans. BME, 35:719-732, 1988.

During the 1970's the neural prosthetics group at the University of Utah not only explored the feasibility of a visual cortex neural prosthetic device, but carried out experiments in auditory cortex stimulation as well. Led by Dr. Dobbelle, they formed a mobile research group that traveled to surgical centers throughout the United States

when suitable experimental subjects were identified. These were patients who required temporal lobe surgery for tumor removal or treatment of intractable epilepsy, and who agreed to participate in the experimental protocol. Dobelle, W. H. et al., "A prosthesis for the deaf based on cortical stimulation," Ann. Otol, 82:445-463, 1973.

5 The primary auditory region of the human brain is buried deep within the Sylvian fissure. It is not visible from the brain surface and its exact location varies slightly from one person to the next. MRI and CT scanners were not invented at the time of Dr. Dobelle's experiments so the anatomy of the patients' auditory cortex could not be studied prior to surgery, and this region could only be visualized with difficulty in the
10 operating room after the Sylvian fissure was surgically dissected. Once the buried auditory cortex was exposed, surface stimulating electrodes were placed by hand over the area thought to be auditory cortex and the brain was stimulated in a fashion similar to that used to generate visual phosphenes.

 Reproducible sound sensations were generated in the experimental subjects.
15 Though these preliminary findings were encouraging, a range of limitations precluded further work by this group. Among the more daunting problems the Utah group faced were recruiting suitable patients for the experimental study and obtaining good stimulation characteristics from the experimental surface electrodes. The minimal stimulation threshold for eliciting sound sensations was found to be 6 milliamperes,
20 which is too high to be tolerated chronically and is thousands of times greater than

currents found subsequently to be required to generate phosphenes in visual cortex using penetrating electrodes.

Recent advances in MRI and computer technology now allow detailed preoperative imaging of human auditory cortex.

5 Another major technical innovation developed since the time of Dr. Dobbelle's early experiments is the cochlear implant. An important aspect of the cochlear implant technology, which is now highly refined, involves transducing sound into complex electrical stimulation sequences. This large body of technical knowledge developed over the last twenty years will be directly applicable to the auditory cortex prosthetic device
10 and aid immeasurably in its research and development.

Normal Hearing

Mechanisms of human hearing are reviewed briefly to provide a framework for discussion of auditory neural prosthetic devices. The auditory system is composed of many structural components that are connected extensively by bundles of nerve fibers.
15 The system's overall function is to enable humans to extract usable information from sounds in the environment. By transducing acoustic signals into electrical signals that can then be processed in the brain, humans are able to discriminate amongst a wide range of sounds with great precision.

Figures 1A and 1B show a side and front view of areas involved in the hearing
20 process. In particular, the normal transduction of sound waves into electrical signals occurs in cochlea 110, a part of the inner ear located within temporal bone (not shown).

Cochlea 110 is tonotopically organized, meaning different parts of cochlea 110 respond optimally to different tones; one end of cochlea 110 responds best to high frequency tones, while the other end responds best to low frequency tones. Cochlea 110 converts the tones to electrical signals which are then received by cochlea nucleus 116. This converted information is passed from cochlea 110 into brain stem 114 by way of electrical signals carried along the acoustic nerve and in particular, cranial nerve VIII (not shown).

The next important auditory structure encountered is cochlea nucleus 116 in the brain stem 114. As the acoustic nerve leaves the temporal bone and enters skull cavity 122, it penetrates brain stem 114 and relays coded signals to cochlear nucleus 116, which is also tonotopically organized. Through many fiber-tract interconnections and relays (not shown), sound signals are analyzed at sites throughout brain stem 114 and thalamus 126. The final signal analysis site is primary auditory cortex 150 situated in temporal lobe 156.

The mechanisms of function of these various structures has also been extensively studied. The function of cochlea 110 is the most well-understood and the function of primary auditory cortex 150 is the least understood. For example, removal of the cochlea 110 results in complete deafness in ear 160, whereas removal of primary auditory cortex 150 from one side produces minimal deficits. Despite extensive neural connections with other components of the auditory system, primary auditory cortex 150 does not appear to be necessary for many auditory functions.

Cochlear Implant

Cochlear implants were designed for patients who are deaf as a result of loss of the cochlea's sound transduction mechanism. Implant candidates must have an intact acoustic nerve capable of carrying electrical signals away from the middle ear into the brain stem. The device converts sound waves into electrical signals which are delivered through a multi-contact stimulating electrode. The stimulating electrode is surgically inserted by an otolaryngologist into the damaged cochlea. Activation of the contacts stimulates acoustic nerve terminals which would normally be activated by the cochlear sound transduction mechanism. The patient perceives sound as the coded electrical signal is carried from the middle ear into the brain by the acoustic nerve. Cohen, N.L. et al., "A prospective, randomized study of cochlear implants," N. Engl. J. Med., 328:233-7, 1993.

In patients with hearing loss caused by dysfunction at the level of the cochlea, cochlear implants can be remarkably effective in restoring hearing. For example, some previously deaf patients are able to understand conversations over the telephone following insertion of a cochlear implant.

Cochlear implants are surgically placed in the middle ear which is situated in the temporal bone. In patients who are already deaf, there is very little chance of any additional injury being caused by placement of a cochlear implant; they are very safe devices. Because of the low health risk associated with placing cochlear implants,

obtaining experimental subjects during the early development stage was not difficult. In this setting design improvements occurred rapidly.

Cochlear Nucleus Implant

Patients are not candidates for cochlear implants if their hearing loss results from
5 damage in auditory regions other than the cochlea. Because the first auditory relay
station "downstream" from the cochlea and auditory nerve is the brainstem cochlear
nucleus, this structure is a logical candidate for consideration as an implantation site. This
approach was first developed at the House Ear Institute. Eisenberg, L. S. et al., "Electrical
stimulation of the auditory brainstem structure in deafened adults," J. Rehab. Res.
10 24:9-22, 1987; Hitselberger, W. E. et al., "Cochlear nucleus implant," Otolaryngol. Head
Neck Surg., 92:52-54, 1984. As is the case with cochlear implants, sound waves are
translated into a complex electrical code F. The implant's stimulation terminals are
placed up against the cochlear nucleus, and the patient perceives sounds when the system
is activated.

15 Data on efficacy is limited because relatively few patients have been tested with
this device. Early findings demonstrate, however, that some degree of useful hearing is
restored using this device. Environmental sounds such as a knock at the door and a
telephone ringing have been detected by patients with a cochlear nucleus implant, and
this improved auditory function has increased patients' ability to live independently.

20 Although work in the visual cortex demonstrates that central nervous system
penetrating electrodes are significantly more effective than surface electrodes, use of

penetrating electrodes in the cochlear nucleus has been discontinued for safety reasons described below.

For several reasons, there is significantly more risk associated with cochlear nucleus implants than cochlear implants. The cochlear nucleus is situated in the brain stem; a very sensitive and vital structure. Neurosurgical procedures in the brain stem are among the most difficult and dangerous operations performed. Infiltrating tumors within the substance of the brainstem, for example, are usually considered surgically inoperable. Surgical manipulation or injury of brainstem elements can cause devastating complications, including loss of normal swallowing functions, loss of control of eye movements, paralysis, coma, and death.

Because of their internationally renowned acoustic neuroma practice, doctors at the House Ear Institute are among the most experienced surgeons in the world at gaining surgical access to the brainstem surface. Acoustic neuromas are tumors arising from the supporting cells of the acoustic nerve. As they enlarge, these tumors expand into the cranial cavity and press up against the brainstem. Patients typically present with hearing loss, and a number of surgical approaches have been developed by otolaryngologists and neurosurgeons to remove these lesions.

Surgeons at the House Ear Institute have played a pioneering role in acoustic neuroma surgery and now routinely perform operations where the tumor is safely removed and the brainstem surface is visualized. They have placed cochlear nucleus implants in deaf patients who have lost function of both acoustic nerves and are

undergoing removal of an acoustic neuroma. This affords access to the brainstem surface during a medically necessary procedure.

The first cochlear nucleus implant used penetrating electrodes. These functioned well initially, however within two months they had migrated further into the brainstem, causing tingling sensation in the patient's hip as adjacent fiber tracts were inadvertently stimulated. This system was removed and surface electrodes have been used for cochlear nucleus implants since that time. Risks of implanting a cochlear nucleus device are such that patients are only candidates for implantation if they require surgery in that area of the brainstem for some other, usually life threatening reason.

It is difficult to find suitable patients for implantation and testing of cochlear nucleus implants. The most likely candidates are patients who have a rare form of neurofibromatosis and acoustic neuromas on both acoustic nerves. Martuza, R. L. et al., "Neurofibromatosis 2 (Bilateral Acoustic Neurofibromatosis)," N. Engl. J. Med., 318:684-688, 1988. A small number of these patients are referred regularly to such institutions as the House Ear Institute. Many university medical centers, however, would be unable to identify a single suitable candidate during a full year. In the fourteen years since its initial clinical application at the House Institute, cochlear nucleus implant use and testing has remained quite restricted (less than two implants per year average during the epoch reported in Eisenberg, L.S. et al., "Electrical stimulation of the auditory brainstem structure in deafened adults," J. Rehab. Res. 24:9-22, 1987.

Treating Deafness

Devices designed to treat deafness must take into consideration the underlying cause of deafness. For example, a patient with defective cochlea 110 who still has a functional acoustic nerve, may benefit from an artificial cochlea (cochlear implant).
5 However, if the acoustic nerve is damaged and cannot carry electrical signals, then the problem is "too far downstream" in the signal processing sequence for a cochlear implant to be effective. In that situation, artificial signals must enter the auditory system "beyond the block" either in brain stem 114 or in auditory cortex 150.

Parkinson's Disease

10 Parkinson's disease is a neuropathological condition of unknown aetiology which afflicts approximately 1 million individuals in the U.S. alone. Symptoms include a paucity of spontaneous movement (bradykinesia), rigidity, and tremor, which in many cases can be very disabling. The average age of onset is 57, with about 30% of cases being
15 the treatment of Parkinson's disease. Drug treatment of Parkinson's disease may ameliorate some of the symptoms, but does not provide a cure for the disease. Furthermore, drugs used for the treatment of Parkinson's disease tend to become less effective in alleviating symptoms over time and often result in severe side effects. For example, L-dopa which has been widely used for the treatment of Parkinson's disease
20 over the past 30 years, is associated with side effects which include uncontrollable

muscular contraction of the limbs and face. And, with the passage of time many, perhaps all, patients fail to respond well to L-dopa treatment.

Prior Art Surgical Treatment of Parkinson's Disease

Surgical treatment by neurosurgeons to treat Parkinson's disease has its roots in the observation that some patients exhibited decreased symptoms after experiencing a mild stroke. A widely accepted explanation for this observation is that the stroke caused destruction of fiber tracts or groups of neurons which had been conducting or generating abnormal signals. Early attempts to treat Parkinson's disease by selectively inactivating certain parts of the brain gave mixed results. The poor results obtained can be ascribed to a number of causes, particularly including poor targeting of brain tissue to be inactivated and imprecision in the design and use of the surgical probes.

Neurosurgeons at a number of medical centers worldwide are currently performing stereotactic thalamotomy or pallidotomy for the treatment of Parkinson's disease, in which regions within the target tissue (thalamus or globus pallidus) of the patient's brain are surgically accessed, physiologically monitored, and targeted for localized tissue destruction (L.Y. Laitinen, et al., "Leksell's Posteroventral Pallidotomy in the Treatment of Parkinson's Disease," J. Neurosurg., 76, 53-61 (1992), R.P. Iacono, et al., "The Results, Indications, and Physiology of Posteroventral Pallidotomy for Patients with Parkinson's Disease," Neurosurgery, 36, 1118-1127 (1995), and references cited therein).

Fig. 12A shows the gross morphology, relative size and approximate location of the globus pallidus. The globus pallidus is a conical subcortical structure which is involved in the control of movement. Fig. 12B shows the gross morphology, relative size and approximate location of the thalamus. The thalamus is a relatively large ovoid body which, *inter alia*, relays sensory stimuli to the cerebral cortex.

Prior art stereotactic pallidotomy

The currently used prior art procedure is quite complex and cumbersome. Briefly, it involves a preliminary step of obtaining microelectrode recordings from specific regions within the globus pallidus. Then, depending on the electrical potential(s) recorded from the particular region under study, the microelectrode is removed, and a macroelectrode is introduced into the same region of the globus pallidus to create a lesion thereat, thereby causing localized tissue destruction and irreversible inactivation of neurons in that region. This process must be repeated a number of times in order to obtain an appropriate "sample" of the globus pallidus.

According to the prior art stereotactic techniques, the trajectories of the introduced electrodes are perpendicular to the long axis of the globus pallidus, as shown in Fig. 12C. The prior art techniques therefore entail the surgeon making several passes through normal brain tissue. In addition, the electrode trajectories of the prior art techniques are the least useful with respect to sampling the target volume. Furthermore, the use of separate electrodes for monitoring neuron physiology (microelectrode) and for

producing lesions (macroelectrode) is inefficient, time consuming, and is prone to error in positioning the macroelectrode.

Hypothalamic Obesity Probe

While malnutrition is known as a serious problem in many underdeveloped nations, obesity has been referred to as the major nutritional disorder of the developed world. This disorder is extremely prevalent: approximately one in three, or about 33%, of the population in the U.S. are overweight. Obesity is known to have serious adverse effects on health, and is associated with increased morbidity and mortality from a number of diseases and physiological conditions, including cardiovascular disease, stroke, coronary infarction, hypertension, diabetes, and hypercholesterolemia. In most cases a quantitative relationship exists showing a positive correlation between body weight of an individual of a given height and a particular health risk to that individual, *i.e.*, the heavier the individual, the greater the risk. Apart from health-related factors discussed above, obesity is also undesirable in that it restricts mobility of the afflicted individual, and in addition can be a source of unacceptance, ridicule, and discrimination in certain societies.

Simply stated, weight gain in the otherwise healthy person is typically due to a net positive caloric balance, *i.e.*, the total caloric content of food ingested exceeds the number of calories "burned" during metabolism over a defined period of time. It is not uncommon for an obese person to be as much as 30 Kg overweight. In order to lose 30 Kg of adipose tissue (fat), a negative net energy balance of about 210,000 Kcal (210,000

calories) is required. Naturally, it will require a period of several months to achieve weight loss on these proportions.

Current approaches to treating obesity include one or more of the following: adherence to a reduced calorie diet (with or without treatment with appetite suppressant drugs); lifestyle change, such as increased exercise regime; and surgery. The approach
5 adopted for any one individual will depend on the degree of obesity, age of the individual, and other factors.

Morbid obesity is a prevalent, debilitating, and life threatening disorder for which surgical procedures may be indicated. Current surgical treatments involving the
10 gastrointestinal tract seek to decrease the patient's ability to absorb calories from ingested caloric material (food and beverages). Such treatments comprise major surgical procedures which themselves carry considerable risk of mortality and mortality, and in addition such procedures often prove to be ineffective.

Apart from surgical procedures for the treatment of obesity, a number of attempts
15 have been made to treat certain disturbances or disorders, including appetite disorders, by various forms of electrical stimulation of the head, CNS, or brain of a patient. For example, U.S. 5,540,734 discloses electrical stimulation of one or both of the trigeminal and glossopharyngeal nerves via one or more electrodes attached thereto. Such electrical stimulation is disclosed to serve as a means to treat, control or prevent various disorders
20 (psychiatric, neurological, etc.), including eating disorders such as compulsive overeating. U.S. 5,443,710 discloses a method for treating various disorders, including appetite

intrusiveness, by use of electroencephalographic disentrainment feedback to "exercise" the patient's brain, wherein the term "disentrainment" refers to the disruption of entrained brain wave patterns. U.S. 5,332,401 discloses an apparatus and method for transcranial electrotherapy (TCET), wherein the apparatus includes a skin electrode mounting system, e.g. for attachment to the earlobes of a patient. An electrical conductor for application to the skin comprises a generally conical needle point capable of penetrating the epidermis to provide good electrical contact over a small area. The disclosed apparatus and method can be used to treat a number of disorders including appetite disturbance; TCET administered at the appropriate time of day could be used to suppress (or enhance) appetite. U.S. 5,263,480 and U.S. 5,188,104 both to Wernicke disclose a method for treating patients having a compulsive eating disorder, such as compulsive eating to excess and compulsive refusal to eat (anorexia nervosa). The method includes the steps of detecting a preselected event indicative of an imminent need for treatment of the disorder, and applying a predetermined stimulating signal to the patient's vagus nerve (tenth cranial nerve). U.S. 5,084,007 discloses a method for remediating imbalances or deficiencies in neuroactive substances that modulate neurohumoral mechanisms. An object of the invention of the '007 is to provide a method for use in, e.g. stress-related disorders such as certain forms of obesity. The method involves the concomitant administration of transcranial electrostimulation (TE) and a neuroactive chemical promoter, to produce a greater effect than either treatment would produce acting individually. U.S. 4,646,744 discloses a method for treating various

disorders or afflictions, e.g. stress, drug addictions, appetite disturbances, insomnia, etc., the method including the transcranial application of electrical signals to the patient. U.S. 3,762,396 discloses a method for treating various psychosomatic ailments by the application of synchronized energetic stimuli to the patient. In particular, electric current

5 pulses are passed through the brain stem via electrodes attached to the back of the head and forehead. A second stimulus of electric current pulses is passed through the optic nerve via electrodes attached to the temples and forehead. The electrodes are mounted on a single elastic band which encircles the head of the patient, and provides electrode contact pressure.

10 Similarly, a number of attempts have been made to treat various disorders, including eating disorders, using certain drug therapies. For example, U.S. 5,554,643 discloses a series of synthetic peptide-related compounds which are pro-drugs useful, *inter alia*, as antipsychotic agents and for the treatment of obesity. The '643 patent refers to drug (amphetamine) delivery (to Sprague Dawley rats) via intracerebral injection cannulae

15 as part of an experiment to demonstrate the usefulness of the disclosed peptide-related compounds as antipsychotic agents, while the disclosed novel compounds themselves are administered via intraperitoneal injection. The '643 also discloses appetite suppressant studies in which the novel compounds are administered intravenously through a cannulated jugular vein. In tests of anxiolytic activity exhibited by the disclosed

20 compounds, pro-drug administration (to mice) is performed subcutaneously, intraperitoneally, or by mouth. U.S. 5,523,306 and U.S. 5,397,788 both also to Horwell

et al. disclose substantially the same material as the '643. U.S. 5,399,565 discloses novel substituted pyrazolidinones which exhibit binding to cholecystokinin (CCK) receptors and gastrin receptors in the brain and/or peripheral sites. The pyrazolidinones are CCK and gastrin receptor antagonists which are useful for, *inter alia*, appetite regulation. The

5 CCK and gastrin receptor antagonists may be administered orally, parenterally, transdermally, or as suppositories. U.S. 5,340,802 discloses peptide analog type-B cholecystokinin (CCK) receptor ligands which are useful for treating various disorders, including eating disorders related to appetite control. The compounds of the '802 may be administered in a number of ways, including orally, parenterally (injectable

10 preparations), subcutaneously, topically, and via liposomes. U.S. 5,262,178 discloses a method and therapeutic composition for the treatment of pathological disorders associated with endogenous peptides by the administration of enkephalinase and novel forms thereof. Enkephalinase is implicated in the hydrolysis of endogenous enkephalins in brain tissue, while the effects of enkephalins include gastrointestinal function and

15 increasing appetite. (Administration may be transdermal, intramuscular, intravenous, subcutaneous, intranasal, intraarticular injection, as a topical preparation for local therapy, by aerosol inhalation, by intravascular infusion, and by microparticulate delivery systems, e.g. liposomes.) U.S. 5,120,713 discloses a method for treating obese patients by administering to the patient both an alpha-2-adrenergic agonist, e.g. clonidine,

20 and a growth hormone releasing peptide, e.g. growth hormone releasing hormone (GHRH), to restore or enhance growth hormone release in such patients. Typically

clonidine is administered orally, preferably about 1 hour prior to administering the growth hormone releasing peptide, while GHRH is typically administered by injection (i.v. or s.c.).

In previous animal studies, direct microinjections of neuropeptide Y (NPY) into various discrete hypothalamic nuclei of the rat consistently increased food intake in all regions examined (Jolicoeur, F.B., et al., "Mapping of hypothalamic sites involved in the effects of NPY on body temperature and food intake," Brain Research Bulletin, 36:125-129, 1995).

Previous studies have demonstrated that an electrical stimulation device can be safely implanted into the human hypothalamus using standard stereotactic techniques. See for example Dieckman, G, et al., "Influence of stereotactic hypothalamy on alcohol and drug addiction", Appl. Neurophysiol., 41:93-98, 1978; Mayanagi, Y., et al., "The posteromedial hypothalamus and pain, behavior, with special reference to endocrinological findings", Appl. Neurophysiol. 41:223-231, 1978; Nakao, H., "Emotional behavior produced by hypothalamic stimulation", Am. J. Physiol. 194:411-418, 1958; Sano, K. "Effects of stimulation and destruction of the posterior hypothalamus in cases of behavior disorders and epilepsy", Special topics in stereotaxis. Berlin Symposium 1970. Hippokrates Verlag Stuttgart.

Similarly, prior art studies have demonstrated that manipulation of the human hypothalamus may effect changes in appetite. Thus Sano observed a marked increase in appetite, resulting in weight gain, as an unintended side effect of certain hypothalamic

lesions (Sano, K. "Effects of stimulation and destruction of the posterior hypothalamus in cases of behavior disorders and epilepsy", Special topics in stereotaxis. Berlin Symposium 1970. Hippokrates Verlag Stuttgart).

Animal studies directed at determining the effects of periodic hypothalamic electrical stimulation on weight gain in rats, have provided strong indirect evidence of the feasibility of using electrical stimulation of the hypothalamus therapeutically in obese humans to decrease body weight. For example, Bielejaw, et al., and Stenger, et al. found that periodic electrical stimulation of specific loci within the hypothalamus with a 50 Hz stimulation current reduces weight gain in rats. (Bielejaw, C., et al., "Factors that contribute to the reduced weight gain following chronic ventromedial hypothalamic stimulation", Behavioral Brain Research 62:143-148, 1994; Stenger, J., et al., "The effects of chronic ventromedial hypothalamic stimulation on weight gain in rats", Physiol. Behav. 50:1209-1213, 1991). In these animal studies, episodic periods of electrical stimulation were delivered to the rat hypothalamus from a single contact electrode coupled to an external stimulation source, as opposed to a chronic indwelling, multicontact electrode stimulation system contemplated by Applicant for human therapeutic use.

The above references are incorporated by reference herein where appropriate for appropriate teachings of additional or alternative details, features and/or technical background.

SUMMARY OF THE INVENTION

It is therefore an object of the instant invention to provide an apparatus including an introducer tube for introducing an electrode assembly into a specific region of a patient's brain.

5 It is a further object of the invention to provide an apparatus which includes an electrode assembly having a rigid electrode support shaft bearing at least one neuron-monitoring bipolar microelectrode.

10 It is a further object of the invention to provide an electrode assembly which includes at least one neuron-monitoring bipolar microelectrode, the electrical contacts of which are flexible.

It is a further object of the invention to provide an electrode assembly bearing at least one neuron-monitoring bipolar microelectrode, which can be used to obtain high quality recordings of action potentials of individual neurons chronically over a period of a number of days.

15 It is a further object of the instant invention to provide an apparatus which includes a dual purpose electrode assembly which is used for both monitoring neuronal physiology and for chronic electrical stimulation of a target cell or target tissue.

20 It is a further object of the instant invention to provide an apparatus which includes a dual purpose electrode assembly which is used for both monitoring neuronal physiology and for making lesions at the site of a target cell or target tissue.

It is a further object of the invention to provide a dual purpose multicontact neuron-monitoring and lesion-producing electrode assembly having a plurality of neuron-monitoring microelectrodes, and lesion-producing capability located at a plurality of sites on the electrode assembly, the sites of lesion-producing capability having a defined
5 location relative to the location of the microelectrodes.

It is a further object of the invention to provide a dual purpose neuron-monitoring and lesion-producing electrode assembly having a plurality of neuron-monitoring microelectrodes and an equal number of adjacently located, spatially paired, or coincidental sites of lesion-producing capability.

10 It is still a further object of the invention to provide a dual purpose multicontact electrode assembly, with both neuron-monitoring and lesion-producing capability, having a magnetically tipped electrode support shaft for stereotactic placement of the electrode support shaft in a specific conformation within the target tissue, wherein the support shaft is positioned under remote control by means of an external magnetic field applied
15 in the vicinity of the target tissue.

It is yet a further object of the invention to provide an apparatus for performing ablative surgery on a specific region of a patient's brain, including a magnetically tipped multicontact dual purpose electrode assembly having the capacity to both monitor individual neurons within the target brain tissue and to produce lesions at the site within
20 the target tissue at which neurons were monitored.

It is a further object of the instant invention to provide an apparatus which includes a dual purpose electrode assembly which is used for both monitoring neuronal physiology and for delivering therapeutic drugs to the site of a target cell or target tissue.

5 It is a further object of the invention to provide a dual purpose multicontact neuron-monitoring/drug delivery electrode assembly having a plurality of neuron-monitoring microelectrodes and a plurality of sites capable of delivering a drug located on the electrode assembly, the sites of drug delivery capability having a defined location relative to the location of the microelectrodes.

10 It is a further object of the invention to provide a dual purpose neuron-monitoring/drug delivery electrode assembly having a plurality of neuron-monitoring microelectrodes and an equal number of adjacently located, spatially paired, or coincidental sites of drug delivery capability.

15 It is still a further object of the invention to provide a dual purpose multicontact electrode assembly, with both neuron-monitoring and drug delivery capability, having a magnetically tipped electrode support shaft for stereotactic placement of the electrode support shaft in a specific conformation within the target tissue, wherein the support shaft is positioned under remote control by means of an external magnetic field applied in the vicinity of the target tissue.

20 It is yet a further object of the invention to provide a method for delivering therapeutic drugs to target tissue(s) of a patient in which a dual purpose multicontact neuron-monitoring/ drug delivering electrode assembly is inserted into the target tissue,

at least one cell of the target tissue is monitored for physiologic activity using microelectrodes, and subsequently, a suitable dose of a therapeutic drug may be selectively delivered from a specific site on the electrode assembly to the specific region of the target tissue which was monitored.

5 It is a further object of the invention to provide a method for delivering therapeutic drugs to target tissue(s) of a patient, in which a dual purpose multicontact neuron-monitoring/drug delivering electrode assembly is inserted into the target tissue, the exact location and orientation of the target tissue being determined by computer assisted tomography (CT) scan and/or 3-dimensional magnetic resonance imaging (MRI).

10 It is yet a further object of the invention to provide a method for delivering therapeutic drugs to target tissue(s) of a patient, in which a dual purpose multicontact neuron-monitoring/ drug delivery electrode assembly having a magnetic tip is moved to an appropriate position within the target tissue by the application of a magnetic field outside the patient's body part

15 undergoing therapy.

It is still a further object of the invention to provide a dual purpose neuron-monitoring/drug delivery electrode assembly having at least one neuron-monitoring microelectrode, and at least one drug delivery port for the delivery of therapeutic drugs to specific, previously-monitored, sites within target tissue(s), the at
20 least one drug delivery port having a defined location on the electrode assembly relative to the location of the microelectrodes.

It is yet a further object of the invention to provide a method for performing ablative surgery on a specific region of a patient's brain, in which a dual purpose multicontact electrode assembly is inserted into the target tissue, a plurality of neurons are monitored for physiologic activity using microelectrodes, and subsequently, without
5 moving the microelectrodes, one or more macroelectrodes may be selectively activated or energized to form lesions within the target tissue at the site of the specific neurons which were monitored.

It is a further object of the invention to provide a method for performing ablative surgery on a specific region of a patient's brain, in which a dual purpose multicontact
10 electrode assembly is inserted into the target tissue, the exact location and orientation of the target tissue being determined by computer assisted tomography (CT) scan and/or 3-dimensional magnetic resonance imaging (MRI).

It is yet a further object of the invention to provide a method for performing ablative surgery, in which a dual purpose multicontact electrode assembly having a
15 magnetic tip is moved to an appropriate position within the target tissue by the application of a magnetic field outside the patient's body part undergoing surgery.

Another object of the invention is to provide a prosthetic which can be placed in a cerebral cortex to reconstitute sensor input to the brain using microstimulation.

It is still a further object of the invention to provide a neural prosthesis including a multicontact electrode assembly which has a magnetic tip for stereotactic placement of the electrode assembly within auditory cortex.

5 It is still a further object of the invention to provide a multicontact electrode assembly which has a magnetic tip for stereotactic placement of the electrode assembly within the target tissue by means of applying an external magnetic field in the vicinity of the target tissue.

10 It is a further objective of the invention to provide a method for positioning a neural prosthesis having a magnetic tip in an appropriate conformation within the auditory cortex.

Another object of the invention is to provide a prosthetic which can be positioned in the brain such that an entire range of tonal frequencies processed by the human brain are accessed thereby.

15 Another object of the invention is to provide a prosthetic which allows a physician to physiologically test location and function of neural prosthetic electrodes in patients undergoing surgery for medically intractable epilepsy.

20 It is still yet a further object of the invention to provide a hypothalamic obesity probe for stereotactic placement in the hypothalamus of an obesity patient and for performing electrical stimulation trials to determine the effect of electrical stimulation of the hypothalamus on appetite regulation.

Another object of the invention is to provide a stimulation trials hypothalamic obesity probe, wherein the obesity probe is placed in the hypothalamus of an obesity patient, and the obesity probe is used to deliver electrical discharges to specific regions of the hypothalamus in order to determine which regions of the hypothalamus are involved in appetite regulation.

Another object of the invention is to provide a drug infusion assembly for microinfusing a drug into the hypothalamus of an obesity patient, the drug infusion assembly including at least one microinfusion catheter for placement in the hypothalamus of the patient, and a macrocatheter for housing the at least one microinfusion catheter, the macrocatheter having a magnetic unit to allow magnetic stereotactic manipulation of the catheter within the patient's brain.

Another object of the invention is to provide a method for defining an appropriate region within the hypothalamus in which to provide chronic electrical stimulation for the treatment of an obesity patient.

Another object of the invention is to provide a method for treating an obesity patient by outputting electrical discharges into a specific region, or specific regions, of the hypothalamus of the patient.

Another object of the invention is to provide a method for treating an obesity patient by infusion of a drug from a drug infusion assembly into specific regions of the hypothalamus of the patient.

Another object of the invention is to provide a method for treating an obesity patient by localized infusion of a drug from at least one drug delivery port of a microinfusion catheter into a specific region, or specific regions, of the hypothalamus of the patient.

5 One feature of the invention is that it includes a penetrating longitudinal support or electrode.

 Another feature of the invention is that it can include a plurality of electrical contacts on the longitudinal support.

 Another feature of the invention is that it includes a speech processor.

10 Another feature of the invention is that each electrode on the electrode support can separately and independently introduce electrical discharges in the brain.

 Another feature of the invention is that it is arranged along the auditory cortex.

 Another feature of the invention is that it can include a flexible multicontact electrode support.

15 Another feature of the invention is that the flexible multicontact electrode support is inserted into the brain using a rigid introducer.

 Another feature of the invention is that a flat plastic plate attached to the longitudinal support helps position the prosthetic in the auditory cortex, the flat plastic plate having a cup to receive a sphere coupled to leads which interconnect the contacts
20 to the speech processor.

Still another feature of the invention is that a plurality of electrode support shafts, each bearing a plurality of longitudinally arranged stimulation electrodes, can be stereotactically placed in the hypothalamus of a patient, and the clinical effects of electrical stimulation of neurons in the hypothalamus can be monitored.

5 Another feature of the invention is that a stimulation trials hypothalamic obesity probe includes a plurality of electrode support shafts, each bearing a plurality of longitudinally arranged stimulation electrodes, each of the plurality of stimulation electrodes capable of independently outputting electrical discharges over a variable frequency range from about 10 Hz to about 400 Hz.

10 Another feature of the invention is that a stimulation trials hypothalamic obesity probe can be stereotactically placed in a selected region of the hypothalamus of a patient, and the clinical effects of electrical stimulation of neurons by electrical discharges of various frequencies and from various stimulation electrodes of the hypothalamic obesity probe can be monitored in order to optimize the clinical effects of the electrical
15 stimulation of neurons in the hypothalamus.

Another feature of the invention is that a drug infusion assembly can be positioned within the hypothalamus of a patient and a drug for the treatment of obesity can be microinfused from at least one microinfusion catheter into one or more specific sites within the hypothalamus.

20

Another feature of the invention is that an obesity patient can be treated for obesity using at least one microinfusion catheter to deliver a drug for obesity treatment to one or more specific sites within the hypothalamus.

Another feature of the invention is that an obesity patient can be treated for obesity by implanting a chronic electrical stimulator within a specific region, or specific regions, of the hypothalamus.

One advantage of the invention is that it includes contacts which enable a deaf patient to hear even though the patient's problem is not in his or her cochlear regions but instead is farther "down stream."

Another advantage of the invention is that it can utilize a single electrode or electrical contact mounted on an electrode support.

Another advantage of the invention is that it penetrates the brain, thus requiring a smaller, more readily tolerable current to stimulate localized regions of the auditory cortex, compared to the amount of current required during stimulation of the brain surface.

Another advantage of the invention is that the contacts are sufficiently closely arranged next to each other to provide high resolution stimulation of the auditory cortex.

Still another advantage of the invention is that a stimulation trials hypothalamic obesity probe can be stereotactically placed in one or more selected regions of the hypothalamus of a patient, and the clinical effects of electrical stimulation of the one or

more selected regions of the hypothalamus can be monitored to determine which regions of the hypothalamus are involved in appetite regulation.

Another advantage of the invention is that a stimulation trials hypothalamic obesity probe can be stereotactically placed in one or more selected regions of the hypothalamus of a patient, and the clinical effects of electrical stimulation of the one or more selected regions of the hypothalamus can be monitored in order to define an appropriate region within the hypothalamus for placement of at least one microinfusion catheter.

Another advantage of the invention is that at least one microinfusion catheter can be placed within a selected region of the hypothalamus and a drug for the treatment of obesity can be microinfused into one or more specific sites within the hypothalamus.

These and other objects, advantages and features are accomplished by the provision of a neural prosthetic device for an auditory cortex of a patient, including: a speech processor for receiving and processing audio information and for outputting processed electrical signals; a support arranged in the auditory cortex having a plurality of electrical contacts independently outputting electrical discharges in accordance with the processed electrical signals; and electrical coupling means for electrically coupling the electrical contacts to the speech processor.

The above objects, advantages and features are further accomplished by the neural prosthetic apparatus as above, wherein the support is arranged in the auditory cortex and

the plurality of electrical contacts are arranged such that the plurality of electrical contacts approximately tonotopically match the auditory cortex.

These and other objects, advantages and features are also accomplished by a method of implanting the above support, including the steps of: acquiring a 3-dimensional digital image of the patient's brain and storing the 3-dimensional digital image in a memory of a computer; digitally subtracting data from the 3-dimensional digital image to yield a modified 3-dimensional digital image which shows the orientation of the auditory cortex in the patient's brain; and inserting the support into the auditory cortex using the modified 3-dimensional digital image as a guide.

The above and other objects, advantages and features are further accomplished by the steps of: repeatedly outputting the processed electrical signals to the plurality of electrical contacts; and adjusting orientation of the support in the auditory cortex as the patient describes effects of the repeatedly outputting step.

These and other objects, advantages and features are accomplished by the provision of a stimulation trials hypothalamic obesity probe for stereotactic placement in the hypothalamus of a patient, the hypothalamic obesity probe including: at least one electrode support shaft, each of the at least one electrode support shafts having a plurality of electrical contacts, each of the plurality of electrical contacts electrically coupled to an electrical stimulation device for transmitting electrical signals to each of the plurality of electrical contacts, and each of the plurality of electrical contacts capable of independently outputting electrical discharges to the hypothalamus; and a macrocatheter for housing the

at least one electrode support shaft, the macrocatheter including a magnetic unit for magnetic stereotactic placement of the macrocatheter to a location adjacent to the hypothalamus.

5 These and other objects, advantages and features are accomplished by the provision of a stimulation trials hypothalamic obesity probe for stereotactic placement in the hypothalamus of a patient, including: at least one electrode support shaft, each of the at least one electrode support shaft having a plurality of stimulation electrodes, each of the plurality of stimulation electrodes electrically coupled to an electrical stimulation device for transmitting electrical signals to each of the plurality of
10 stimulation electrodes, and each of the plurality of stimulation electrodes capable of independently outputting electrical discharges to the hypothalamus; and a macrocatheter for housing the at least one electrode support shaft.

15 These and other objects, advantages and features are accomplished by the provision of a stimulation trials hypothalamic obesity probe which is placed in the hypothalamus of an obesity patient, and the obesity probe is used to determine an appropriate region of the hypothalamus in which to position a chronic electrical stimulation device, the chronic electrical stimulation device positioned in the hypothalamus for the suppression of appetite of the obesity patient.

20 These and other objects, advantages and features are accomplished by the provision of a drug infusion assembly for microinfusing a drug into the hypothalamus, the drug infusion assembly including: at least one microinfusion catheter, each of the at least one

microinfusion catheters for placement in the hypothalamus, each of the at least one microinfusion catheters having a plurality of drug delivery ports, each of the plurality of drug delivery ports for delivering a drug to a separate site within the hypothalamus; a macrocatheter for housing the at least one microinfusion catheter; a drug delivery manifold, each of the at least one microinfusion catheters functionally coupled to the drug delivery manifold; a drug supply line functionally coupled to the drug delivery manifold; a drug reservoir/pump for retaining and pumping a drug, the drug reservoir/pump functionally coupled to the drug supply line; and the macrocatheter includes a magnet located at the distal end of the macrocatheter.

These and other objects, advantages and features are accomplished by the provision of a method for treating an obesity patient by outputting electrical discharges from a hypothalamic obesity probe to selected portions of the patient's hypothalamus, including the steps of: a) obtaining a three dimensional digital image of the patient's brain, the image including and showing the position of the hypothalamus; b) inserting a macrocatheter adjacent to the hypothalamus; c) inserting at least one electrode support shaft into the hypothalamus, wherein the at least one electrode support shaft bears a plurality of longitudinally arranged stimulation electrodes, each of the plurality of stimulation electrodes being capable of independent control; d) outputting electrical discharges from at least one of the plurality of stimulation electrodes, thereby stimulating at least one neuron in the hypothalamus; e) monitoring the clinical effect or clinical effects of step d), in order to determine those particular stimulation electrodes of the

plurality of stimulation electrodes which will provide a clinically useful effect; and f) delivering electrical discharges from those particular stimulation electrodes of the plurality of stimulation electrodes determined in step e) to provide a clinically useful effect.

5 These and other objects, advantages and features are accomplished by the provision of a method for treating an obesity patient by microinfusing a drug into one or more selected portions of the hypothalamus of a patient, including the steps of: a) obtaining an image of the hypothalamus of the patient; b) inserting a drug infusion assembly into the patient's brain adjacent to the hypothalamus, wherein the drug infusion assembly
10 includes a macrocatheter, the macrocatheter housing at least one microinfusion catheter, and each of the at least one microinfusion catheters includes a plurality of independently controllable drug delivery ports; c) inserting the at least one microinfusion catheter into the hypothalamus; d) sequentially infusing a drug from various members of the plurality of drug delivery ports on the at least one microinfusion catheter into corresponding sites
15 of the hypothalamus proximate the various members of the plurality of delivery ports; e) monitoring the clinical effect of step d), in order to determine which of the various members of the plurality of drug delivery ports will provide a useful clinical result; and f) delivering a drug from those selected members of the plurality of delivery ports determined in step e) to provide a useful clinical result.

20 These and other objects, advantages and features are accomplished by the provision of a method for treating an obesity patient by electrical stimulation of the hypothalamus

of the patient, including the steps of: a) providing a three dimensional digital image of the patient's brain in order to indicate the precise location of the hypothalamus; b) forming a burr hole at an appropriate location in the patient's cranium; c) inserting an introducer tube into the burr hole; d) introducing a macrocatheter into the introducer tube, wherein
5 the macrocatheter includes at least one electrode support shaft having a plurality of stimulation electrodes, the plurality of stimulation electrodes arranged longitudinally on the at least one electrode support shaft; e) inserting the macrocatheter in a zone of the patient's brain adjacent to the hypothalamus; f) inserting the at least one electrode support shaft into the hypothalamus; g) electrically stimulating at least one neuron in the
10 hypothalamus by means of electrical discharges outputted from one or more of the plurality of stimulation electrodes; h) monitoring the clinical effect of step g) to define regions of the hypothalamus which will provide a desired clinical result when electrical discharges are outputted thereto; and i) outputting electrical discharges to regions of the hypothalamus defined in step h).

15 These and other objects, advantages and features are accomplished by the provision of a method for treating an obesity patient by chronic electrical stimulation of the hypothalamus of the patient, including the steps of: a) obtaining a three dimensional digital image of a patient's brain showing the location of the hypothalamus; b) inserting a macrocatheter into a zone of the patient's brain adjacent to the hypothalamus, wherein
20 the macrocatheter houses at least one electrode support shaft, and each of the at least one electrode support shafts has a plurality of stimulation electrodes, and each of the plurality

of stimulation electrodes is capable of independently outputting electrical discharges of various frequencies; c) inserting the at least one electrode support shaft into the hypothalamus of the patient; d) delivering electrical discharges of various frequencies from a first set of the plurality of stimulation electrodes to a first set of neurons within the hypothalamus; e) delivering electrical discharges of various frequencies from at least one further set of the plurality of stimulation electrodes to at least one further set of neurons within the hypothalamus; f) monitoring the clinical effects of steps d) and e) on appetite regulation by the patient, in order to determine the clinical effects of various combinations of electrical discharge frequency/location of stimulation electrodes; g) optimizing the electrical discharges delivered to the neurons within the hypothalamus, according to steps d) and e), to provide optimum appetite regulation by the patient; and h) programming the hypothalamic obesity probe for chronic delivery of electrical discharges of defined frequency and at specific locations within the hypothalamus, as determined in step g), to provide optimum appetite regulation by the patient.

These and other objects, advantages and features are accomplished by the provision of a method for chronic electrical stimulation of the hypothalamus of an obesity patient, including the steps of: obtaining a three dimensional image of a patient's brain, the three dimensional image showing the location of the hypothalamus; inserting a macrocatheter into a zone of the patient's brain, wherein the zone is adjacent to the hypothalamus, wherein the macrocatheter houses at least one electrode support shaft, each of the at least one electrode support shafts having a plurality of stimulation electrodes, and each of the

plurality of stimulation electrodes capable of independently outputting electrical discharges, the electrical discharges of low frequency or of high frequency; inserting the at least one electrode support shaft into a selected first region of the hypothalamus; stimulating, by means of electrical discharges outputted from the plurality of stimulation electrodes, neurons in the selected first region of the hypothalamus; and monitoring the clinical effects of the stimulating neurons step.

These and other objects, advantages and features are accomplished by the provision of a method for treating an obesity patient by placing a chronic electrical stimulator into the hypothalamus of the patient, including the steps of: a) obtaining a three dimensional image of a patient's brain, the three dimensional image showing the location of the hypothalamus; b) inserting a macrocatheter into a zone of the patient's brain, wherein the zone is adjacent to the hypothalamus, wherein the macrocatheter houses at least one electrode support shaft, each of the at least one electrode support shafts having a plurality of stimulation electrodes, and each of the plurality of stimulation electrodes capable of independently outputting electrical discharges, the electrical discharges of low frequency or of high frequency; c) inserting the at least one electrode support shaft into a selected first region of the hypothalamus; d) stimulating, by means of electrical discharges outputted from the plurality of stimulation electrodes, neurons in the selected first region of the hypothalamus; e) monitoring the clinical effects of step d); f) after step e), reinserting the at least one electrode support shaft into a selected additional region of the hypothalamus; g) stimulating, by means of electrical discharges outputted from the

plurality of stimulation electrodes, neurons in the selected additional region of the hypothalamus; h) monitoring clinical effects of step g); i) repeating steps f) through h) until a satisfactory clinical effect is obtained; j) pre-programming the chronic electrical stimulator so as to duplicate the satisfactory clinical effect as obtained in step i); and
5 implanting the pre-programmed chronic electrical stimulator in an appropriate region of the hypothalamus.

These and other objects, advantages and features are accomplished by the provision of a method for treating an obesity patient by infusion of a drug from a drug infusion assembly into the hypothalamus of the patient, the method including the steps of:

- 10 a) obtaining a three dimensional image of a patient's brain, the three dimensional image showing the location of the hypothalamus; b) inserting a macrocatheter into a zone of the patient's brain, wherein the zone is adjacent to the hypothalamus, wherein the macrocatheter houses at least one microinfusion catheter, each of the at least one microinfusion catheters having a plurality of drug delivery ports, and each of the plurality
15 of drug delivery ports capable of independently outputting a drug, the drug capable of activating or deactivating neurons in one or more regions of the hypothalamus;
- c) inserting the at least one microinfusion catheter into a selected first region of the hypothalamus; d) infusing a quantity of a drug from at least one of the plurality of drug delivery ports to at least one neuron of the selected first region of the hypothalamus; and
20 e) monitoring clinical effects of step d).

These and other objects, advantages and features are accomplished by the provision of a method for treating an obesity patient by chronic electrical stimulation of the hypothalamus of the patient, the method including the steps of: a) obtaining a three dimensional digital image of a patient's brain showing the location of the hypothalamus;

5 b) inserting a macrocatheter into a zone of the patient's brain adjacent to the hypothalamus, the macrocatheter housing at least one electrode support shaft, each of the at least one electrode support shafts having a plurality of stimulation electrodes, and each of the plurality of stimulation electrodes capable of independently outputting electrical discharges of various frequencies; c) inserting the at least one electrode support shaft into

10 the hypothalamus; d) delivering electrical discharges of various frequencies from a first set of the plurality of stimulation electrodes to a first set of neurons within the hypothalamus; e) delivering electrical discharges of various frequencies from at least one further set of the plurality of stimulation electrodes to at least one further set of neurons within the hypothalamus; f) monitoring the clinical effects of steps d) and e) on appetite

15 regulation by the patient; g) based on steps d) through f), optimizing the electrical discharges delivered to the neurons within the hypothalamus for optimum appetite regulation by the patient; h) based on step g), pre-programming a chronic electrical stimulator for optimum clinical effectiveness in the patient; and i) implanting the pre-programmed chronic electrical stimulator in the hypothalamus of the patient.

One feature of the invention is that it can include a penetrating longitudinal support shaft bearing a single microelectrode for monitoring physiologic activity of a cell.

Another feature of the invention is that it can include a penetrating longitudinal support shaft bearing multiple microelectrodes for monitoring physiologic activity.

5 Another feature of the invention is that each microelectrode for monitoring physiologic activity can be bipolar.

Another feature of the invention is that each neuron-monitoring microelectrode of the electrode assembly can independently monitor the physiological activity of the neuron(s) with which it makes contact.

10 Another feature of the invention is that each lesion-producing macroelectrode of the electrode assembly can be independently energized to produce a localized lesion.

Another feature of the invention is that the electrode support shaft of the electrode assembly can be rigid.

15 Another feature of the invention is that the electrode support shaft of the electrode assembly can be flexible.

Another feature of the invention is that it can include a magnet at its distal end.

Another feature of the invention is that the flexible support shaft can be positioned generally along the long axis of the globus pallidus.

20 Another feature of the invention is that the multicontact electrode support shaft is introduced into the brain using a stereotactically inserted introducer tube.

One advantage of the invention is that it can function with a single electrode support shaft.

Another advantage of the invention is that it allows the neuron-monitoring and lesion-producing functions of prior art pallidotomy to be performed by the same
5 electrode assembly.

Another advantage of the invention is that the microelectrode and macroelectrode contacts are sufficiently small and closely arranged on the electrode support shaft to enable high resolution monitoring and inactivation of the target tissue.

Another advantage of the invention is that it reduces the chances for error in
10 placement of electrodes during surgical procedures by eliminating the need to use separate neuron-monitoring and lesion-making electrode assemblies.

Another advantage of the invention is that it allows the monitoring of a plurality of neurons and the subsequent production of a plurality of lesions following a single placement of the electrode support shaft within the target tissue.

Another advantage of the invention is that the neuron-monitoring microelectrodes
15 and lesion-producing macroelectrodes are sufficiently small and closely arranged next to each other to enable a high degree of spatial correlation between neuron monitoring and neuron inactivation functions.

Another advantage of the invention is that the electrode support shaft can be
20 retrieved from a given position within the brain to the introducer tube by exerting a force on a tether line.

Yet a further advantage of the invention is that the magnetically tipped electrode support shaft can be positioned in a desired spatial orientation within the brain by changing the magnitude and direction of magnetic forces which urge the electrode support shaft forwards.

5 These and other objects, advantages and features are accomplished by the provision of an apparatus for performing surgery on a patient, including: an electrode assembly including an electrode support shaft bearing a plurality of spatially paired or coincidental microelectrodes and macroelectrodes, and an introducer tube for introducing the electrode support shaft into the patient. The electrode assembly also includes a tether line
10 for retrieving the electrode assembly from the target tissue.

 These and other objects, advantages and features are accomplished by a method of performing surgery on a patient, including the steps of: introducing the distal end of the electrode support shaft into the target tissue, monitoring a plurality of neurons therein for their physiologic response, and subsequently selectively energizing one or more
15 spatially paired or coincidental lesion-producing macroelectrodes according to the response recorded from the plurality of microelectrodes.

 These and other objects, advantages and features are accomplished by a method of performing surgery on a patient, including the steps of: stereotactically inserting an introducer tube into the brain of a patient such that the distal end of the tube is
20 positioned close to the target tissue, introducing an electrode assembly into the introducer tube, the electrode assembly including an electrode support shaft bearing a

magnetic tip responsive to an external magnetic field , driving the magnetic tip of the electrode assembly through a defined trajectory within the globus pallidus, monitoring the physiological activity of at least one neuron within the globus pallidus, optionally, according to the monitoring of the physiological activity, inactivating the at least one
5 neuron by activating the at least one macroelectrodes.

These and other objects, advantages and features are accomplished by the provision of an apparatus for performing pallidotomy on a patient, including: an electrode assembly having a magnetically tipped, flexible electrode support shaft bearing a plurality of spatially paired microelectrodes and macroelectrodes, respectively for monitoring and
10 inactivating specific neurons or groups of neurons, and an introducer tube for introducing the electrode support shaft into the patient. The electrode assembly also includes a tether line for retrieving the electrode assembly from the target tissue. The electrode assembly may then be repositioned in the home position within the introducer tube.

15 These and other objects, advantages and features are accomplished by a method of performing a pallidotomy on a patient including the steps of: introducing the distal end of the electrode support shaft into the globus pallidus, monitoring a plurality of neurons therein for their physiologic response using a plurality of neuron-monitoring microelectrodes, and subsequently selectively energizing one or more spatially paired
20 lesion-producing macroelectrodes according to the response recorded from the plurality of microelectrodes.

These and other objects, advantages and features are accomplished by a method of performing pallidotomy on a patient, including the steps of: stereotactically inserting an introducer tube into the brain of a patient such that the distal end of the tube is positioned close to the lateral globus pallidus; introducing an electrode assembly into the
5 introducer tube, the electrode assembly including an electrode support shaft, the electrode support shaft having a magnetic distal end responsive to an external magnetic field and further bearing at least one neuron-monitoring microelectrode and at least one lesion-producing macroelectrode spatially paired with the at least one microelectrode; driving, by the application of an external magnetic field, the magnetic end of the
10 electrode assembly through a defined trajectory within the globus pallidus; monitoring the physiological activity of at least one neuron with the at least one microelectrode; optionally, according to the monitoring of the physiological activity, inactivating the at least one neuron by applying lesion-forming energy to the at least one neuron via the at least one macroelectrode; and assessing the patient's response to the above steps.

15 These and other objects, advantages and features are accomplished by a method of making a dual purpose multicontact electrode assembly capable of monitoring and inactivating neurons, including the steps of: arranging a plurality of electrical contacts along the longitudinal axis of an electrode support shaft, and coupling each of the electrical contacts to at least one strand of electrically conductive material, whereby a
20 suitable electric current may be conducted to or from each of the electrical contacts.

These and other objects, advantages and features are accomplished by a method of making a dual purpose multicontact electrode assembly, including the steps of: providing an electrode support shaft having a distal end and a proximal end, positioning a plurality of neuron-monitoring microelectrodes along the distal end of the electrode support shaft, and positioning each one of a plurality of lesion-producing macroelectrodes adjacent to each one of the plurality of microelectrodes, and affixing a magnet, responsive to an applied external magnetic field, to the distal end of the support shaft.

These and other objects, advantages and features are accomplished by a method of making an introducer tube, including the steps of: providing a cylinder, rigidly attaching coaxially a conical neck to one end of the cylinder, the conical neck having a free end and the diameter of the conical neck having the same diameter as the cylinder at the point of juncture, the diameter of the conical neck increasing in the direction away from the cylinder, rigidly attaching coaxially a cylindrical end piece to the free end of the conical neck, the end piece having the same diameter as the free end of the conical neck, and providing sealing means for sealing the cylindrical end piece.

These and other objects, advantages and features are accomplished by provision of an introducer tube for introducing a device into the body of a patient, including: a cylindrical portion, a conical neck portion continuous with the cylindrical portion, a short cylindrical end piece continuous with the conical neck portion, and sealing means for sealing the proximal end of the introducer tube.

These and other objects, advantages and features are accomplished by provision of an apparatus for selectively inactivating neurons in a target tissue, including: an electrode support shaft, at least one lesion-producing macroelectrode arranged on the support shaft, and at least one neuron-monitoring microelectrode arranged on the support shaft, each one of the at least one microelectrodes having a defined location on the support shaft relative to the location of the at least one macroelectrode.

These and other objects, advantages and features are accomplished by provision of an apparatus including: a support shaft, at least one lesion-producing macroelectrode arranged along the support shaft for producing a lesion, and multiple neuron-monitoring microelectrodes arranged along the support shaft having a defined relative location on the shaft with respect to the at least one lesion-producing macroelectrode, the multiple neuron-monitoring microelectrodes monitoring neuronal activity and outputting signals which are used to determine whether to energize the at least one lesion-producing macroelectrode to produce the lesion.

These and other objects, advantages and features are accomplished by provision of an apparatus for making one or more lesions in a brain, including: an electrode support shaft, at least one lesion-producing macroelectrode disposed on the support shaft, and a fluid-coated introducer tube for introducing the support shaft into the brain, thereby allowing the lesion-producing macroelectrode to make the one or more lesions in the brain.

These and other objects, advantages and features are accomplished by provision of an apparatus, including: a flexible electrode assembly including an electrode support shaft, the support shaft having a magnetic tip which is responsive to an external magnetic field, one or more lesion-producing macroelectrodes arranged along the support shaft, 5 an introducer tube for introducing the support shaft into a brain, and multiple neuron-monitoring microelectrodes arranged along the support shaft having a defined location on the support shaft relative to the one or more lesion-producing electrodes, the multiple neuron-monitoring microelectrodes monitoring neuronal activity and outputting signals which are used to determine whether to energize the one or more 10 lesion-producing macroelectrodes.

These and other objects, advantages and features are accomplished by provision of an apparatus for producing one or more lesions at one or more locations in a globus pallidus of a human brain, including: a flexible electrode support shaft, a plurality of lesion-producing macroelectrodes arranged along the support shaft, and a plurality of 15 neuron-monitoring microelectrodes arranged along the support shaft for outputting neuron activity signals, wherein the support shaft is draped along the globus pallidus and selective ones of the lesion-producing contacts are energized, in accordance with the neuron activity signals, to produce the at least one lesion in the globus pallidus.

These and other objects, advantages and features are accomplished by provision of an apparatus for delivering one or more therapeutic drugs to target tissue of a brain, 20 including: a support shaft, at least one drug delivery site capable of delivering a

therapeutic drug arranged along the support shaft, and multiple neuron-monitoring microelectrodes arranged along the support shaft having a defined relative location on the shaft with respect to the at least one drug delivery site, the multiple neuron-monitoring microelectrodes monitoring neuronal activity and outputting signals which are used to
5 determine whether to deliver a therapeutic drug from the at least one drug delivery site to the target tissue.

These and other objects, advantages and features are accomplished by a method of delivering one or more therapeutic drugs to specific locations within the brain of a patient, including the steps of: stereotactically inserting an introducer tube into the brain
10 of a patient such that the distal end of the tube is positioned close to the target tissue; introducing an electrode assembly into the introducer tube, the electrode assembly including an electrode support shaft, the electrode support shaft bearing a magnetic tip responsive to an external magnetic field and further bearing at least one neuron-monitoring microelectrode and at least one drug delivery site capable of
15 delivering a measured dose of a therapeutic drug, the at least one drug delivery site being spatially paired with the at least one microelectrode; moving, by the application of an external magnetic field, the magnetic tip of the electrode assembly to a defined location within the target tissue; monitoring the physiological activity of at least one neuron with the at least one microelectrode; and, optionally according to the monitoring of the
20 physiological activity, delivering a measured dose of a therapeutic drug from the at least one drug delivery site.

These and other objects, advantages and features are accomplished by provision of a neural prosthetic device for a auditory cortex of a patient, the neural prosthetic device connected to a speech processor for receiving and processing audio information and for outputting processed electrical signals, and electrical coupling means for
5 electrically coupling the plurality of electrical contacts to the speech processor.

These and other objects, advantages and features are accomplished by a method of implanting the support of the paragraph immediately above having a plurality of electrical contacts, including the steps of: acquiring a 3-dimensional digital image of the patient's brain and storing the 3-dimensional digital image in a memory of a computer,
10 digitally subtracting data from the 3-dimensional digital image to yield a modified 3 dimensional digital image which shows the orientation of the auditory cortex in the patient's brain, inserting the support into the auditory cortex using the modified 3 dimensional digital image as a guide, repeatedly outputting processed electrical signals to the plurality of electrical contacts, and adjusting the orientation of the support in the
15 auditory cortex, according to the patient's response to at least some of the processed electrical signals, the orientation of the support being controlled by adjustment of an applied external magnetic field.

These and other objects, advantages and features are accomplished by provision of an apparatus for selectively inactivating cells in a target tissue, including: an electrode
20 support shaft, at least one cell-monitoring microelectrode arranged on the support shaft, and at least one lesion-producing macroelectrode arranged on the support shaft, each one

of the at least one macroelectrode having a defined location on the support shaft relative to the location of the at least one microelectrode.

These and other objects, advantages and features of the present invention will become more apparent from the following description of embodiments thereof, taken in
5 conjunction with the accompanying drawings.

Additional advantages, objects, and features of the invention will be set forth in part in the description which follows and in part will become apparent to those having ordinary skill in the art upon examination of the following or may be learned from practice of the invention. The objects and advantages of the invention may be realized
10 and attained as particularly pointed out in the appended claims.

BRIEF DESCRIPTION OF THE DRAWINGS

The invention will be described in detail with reference to the following drawings in which like reference numerals refer to like elements wherein:

5 Figures 1A and 1B show the orientation of a patient's auditory cortex in relation to the patient's cochlea and cochlear nucleus.

 Figure 2 shows a human cerebral cortex neural prosthetic.

 Figure 3A shows a side view of a plane A which intersects a coronal section with a Sylvian fissure exposed, and Figures 3B and 3C show the coronal section before and after tissue is digitally "peeled off" the Sylvian fissure.

10 Figure 4 shows a neural prosthetic with a support having electrical contacts and its speech processor.

 Figure 5 shows a prosthetic which includes two longitudinal supports according to another embodiment of the invention.

15 Figure 6 shows a prosthetic according to yet another embodiment of the invention.

 Figure 7A shows the prosthetic of Figure 6 as looking down on the patient's brain surface, Figure 7B shows a closer view of a stopping piece with a cup and a lid, and Figure 7C corresponds to Figure 7A with the support inserted.

 Figure 8 shows a magnetically tipped multicontact neural prosthesis.

20 Figures 9A, 9B and 9C illustrate three different embodiments of an electrode support shaft.

Figure 10 shows an electrode support shaft bearing a plurality of bipolar neuron-monitoring microelectrode positioned adjacent to a plurality of neuron-inactivating sites.

5 Figures 11A and 11B show details of an embodiment of a dual purpose electrode assembly bearing bipolar microelectrodes, in which the pair of electrical contacts of the microelectrodes are closely juxtaposed, and are positioned coincidental with, and external to, the macroelectrodes.

Figure 12A shows (arrows) the approximate location and orientation, gross morphology, and relative size of the globus pallidus.

10 Figure 12B shows (arrow) the approximate location and relative size of the thalamus.

Figure 12C shows the parallel linear trajectories of electrode assemblies, according to prior art pallidotomy.

Figure 13A-13C show apparatus for performing magnetic stereotactic surgery.
15 Figure 13A shows an introducer tube positioned within the patient's skull pointing generally in the direction of the globus pallidus. Figure 13B shows the electrode assembly *ex situ*. Figure 13C shows the electrode assembly within the introducer tube with the sealing cap unattached.

Figure 14 shows a general view of the introducer tube in cross section.

20 Figure 15 shows a more detailed view of the proximal end of the introducer tube with the electrode assembly positioned therein, and the sealing cap unattached.

Figure 16 shows a more detailed view of the proximal end of the introducer tube with the sealing cap attached.

Figure 17 shows the electrode support shaft positioned within the globus pallidus, together with a magnified view of a microelectrode and a macroelectrode.

5 Figure 18 depicts the movement of the magnetically tipped electrode assembly in the direction away from the introducer tube towards the apex of the globus pallidus.

Figure 19 shows steps in performing magnetic pallidotomy using a dual purpose multicontact electrode assembly.

10 Figure 20 depicts the tether line of the electrode assembly being pulled upwards and the electrode assembly returning to the introducer tube from the globus pallidus.

Figure 21 shows steps in making a dual purpose multicontact electrode assembly useful in performing magnetic stereotactic surgery.

15 Figure 22 shows steps in making an introducer tube, according to the invention, for introducing an electrode assembly into a patient.

Figure 23 shows an electrode support shaft of a dual purpose electrode assembly, capable of both monitoring individual neurons and delivering a chemical agent to a specific site within a patient's brain.

20 Figure 24 shows steps in making a dual purpose multicontact electrode assembly capable of both monitoring physiological activity at the individual cell or tissue level, and delivering a chemical agent to a specific site within a patient's tissues.

Figure 25 shows a dual purpose neuron-monitoring/drug delivery electrode assembly, bearing a plurality of multipolar neuron-monitoring electrodes and a plurality of drug delivery ports.

5 Figures 26A and 26B are cross-sectional views of a dual purpose neuron-monitoring/drug delivery electrode assembly at two different positions along its longitudinal axis showing four (26A) and three (26B) drug delivery supply lines, respectively, located within the electrode support shaft.

Figure 27A shows a perspective view of a hypothalamic obesity probe for performing electrical stimulation trials of specific regions of the hypothalamus, according
10 to one embodiment of the invention;

Figure 27B shows a perspective view of a hypothalamic obesity probe including a macrocatheter having a magnetic tip, according to another embodiment of the invention;

Figures 28A and 28B show cross-sectional views of an electrode support shaft
15 having monopolar electrodes, and of an electrode support shaft having bipolar electrodes, respectively, according to other embodiments of the invention;

Figure 29A shows a perspective view of a hypothalamic drug infusion assembly, according to another embodiment of the invention;

Figure 29B shows a perspective view of a hypothalamic drug infusion assembly,
20 including a macrocatheter having a magnetic tip, according to another embodiment of the invention;

Figure 30 shows a perspective view of the distal end of the macrocatheter of a hypothalamic drug infusion assembly, showing microinfusion catheters protruding therefrom, according to another embodiment of the invention;

5 Figure 31 schematically summarizes steps involved in a method for positioning a chronic electrical stimulator in the hypothalamus of a patient, according to another embodiment of the invention;

Figure 32 is a schematic representation of steps involved in a method for treating an obesity patient by placing a chronic electrical stimulator in the hypothalamus of the patient, according to another embodiment of the invention;

10 Figure 33 schematically summarizes steps involved in a method for microinfusing a drug from at least one microinfusion catheter into the hypothalamus of a patient, according to another embodiment of the invention;

Figure 34 is a schematic representation of steps involved in a method for treating an obesity patient by microinfusing a drug from at least one microinfusion catheter into the hypothalamus of the patient, according to another embodiment of the invention;

15 Figure 35A is a schematic representation of steps involved in a method for treating an obesity patient by electrical stimulation of the hypothalamus of the patient, according to a preferred embodiment of the invention; Figure 35B is a schematic representation of steps involved in a method for treating an obesity patient by microinfusing a drug from at least one microinfusion catheter into the hypothalamus of the patient, according to
20 another embodiment of the invention; and Figure 35C is a schematic representation of

steps involved in a method for treating an obesity patient by microinfusing a drug from at least one microinfusion catheter into the hypothalamus of the patient, according to yet another embodiment of the invention;

5 Figure 36A schematically shows steps involved in a method for treating an obesity patient by chronic electrical stimulation of the hypothalamus of the patient by implantation in the hypothalamus of a programmable hypothalamic obesity probe, according to a preferred embodiment of the invention; Figure 36B schematically shows steps involved in a method for treating an obesity patient by chronic electrical stimulation of the hypothalamus of the patient by implantation in the hypothalamus of
10 a pre-programmed chronic electrical stimulator, according to another embodiment of the invention.

DETAILED DESCRIPTION OF PREFERRED EMBODIMENTS

There now follows a description of a neural prosthesis apparatus, under the
15 invention, as well as methods of using the same. There then follows a description of apparatus and methods for performing stereotactic manipulations, including magnetic surgery and targeted drug delivery, according to the invention. Subsequent thereto there follows a description of a hypothalamic obesity probe apparatus and methods for using the same for treatment of obesity in a patient, and a description of a hypothalamic
20 drug microinfusion assembly and methods of using the same for treating an obesity patient.

Neural Prosthesis

Advanced imaging combined with an intraoperative stereotactic system now enable placement of penetrating electrodes into auditory cortex during routine epilepsy surgery without dissection of the Sylvian fissure.

5 Primary auditory cortex 150 in Figures 1A and 1B is tonotopically organized, meaning stimulation in different areas is likely to cause the patient to perceive different tones. These tones form the building blocks of complex sound phenomena such as speech. Tonotopic organization is a fundamental characteristic of the cochlea and cochlear nucleus as well, as discussed above. Primary auditory cortex 150, however, has
10 its tonotopic map stretched across a larger volume of tissue (greater than twice the volume of cochlear nucleus 116). Greater tissue volume enables placement of a greater number of electrical contacts for a given tonotopic zone. This results in increased signal resolution and improved clarity of auditory sensation. Finally, because of anatomical differences, primary auditory cortex 150 can accommodate penetrating electrode arrays
15 which cannot be safely placed into the cochlear nucleus.

Figure 2 shows a human cerebral cortex neural prosthetic 200 according to one embodiment of the invention. Prosthetic 200 has a first end 206a and a second end 206b which is blunt or smoothly curved. Prosthetic 200 has electrical contacts 220 along a longitudinal support 226. Support 226 can be anywhere from several millimeters long
20 to several centimeters long. Electrical contacts 220 are small metal pads which can be separately and independently electrically charged via respective wires 232 available at first end 206a. Wires 232 have leads 238 which are coupled to a speech processor (not shown).

Electrical contacts 220 are spaced approximately 10 micrometers to several millimeters apart and preferably approximately 50 to 150 micrometers apart. Application of a voltage to contacts 220 near first end 206a results in stimulating low (or high--to be determined by questioning the patient) tones in primary auditory cortex 150 (see Figures 1A and 1B), whereas application of a voltage to contacts 220 near second end 206b results in stimulation of high (or low) tones in primary auditory cortex 150.

Longitudinal support 226 can be rigid or flexible. Prosthetic 200 may be introduced into a patient's brain via a rigid introducer, and subsequently electrical contacts 220 are exposed to primary auditory cortex 150. Support 226 can be one of the probes shown in Figures 3-5 in "Possible Multichannel Recording and Stimulating Electrode Arrays: A Catalog of Available Designs" by the Center for Integrated Sensors and Circuits, University of Michigan Ann Arbor, Michigan, the contents of which are incorporated herein by reference. Alternative electrodes such as Depthal Depth Electrodes and interconnection cables from PMT Corporation 1500 Park Road, Chanhassen, MN, 55317 could also be used as support 226 and electrical couplers between contacts 220 and a speech processor (410 in Figure 4).

Electrical contacts 220 must operate as high impedance (megohms) contacts as opposed to low impedance (a few ohms to several thousand ohms) contacts. This makes it possible to output a greater potential for the contacts while outputting a small (a few microamperes as opposed to a few milliamperes) current. This also localizes the potentials applied to the patient's auditory cortex to approximately a few hundred

micrometers. The localization of applied electric charges corresponds to the tonotopic spacing of nerve cell pairs.

Prosthetic 200 is arranged along a longitudinal direction of primary auditory cortex 150. However, primary auditory cortex 150 is located in the transverse temporal gyro and is buried deep within the Sylvian fissure. Consequently, its location cannot be determined simply by looking at an exposed surface of the brain. Therefore, MRI imaging techniques must be employed to reveal the exact orientation of primary auditory cortex 150.

A single coronal image of an individual's brain cannot reveal the exact orientation of primary auditory cortex 150. Instead, a series of images must be obtained and a resulting 3-dimensional MRI image constructed. Once such an image is constructed, the digital data making up that image can be transformed to provide a view of the Sylvian fissure. This in turn exposes primary auditory cortex 150 as a mound-like hump. That is, tissue on top of the digital image can be "peeled off" to expose the Sylvian fissure and consequently primary auditory cortex 150 "pops out" of the image. This process is described in "Three-dimensional *In Vivo* Mapping of Brain Lesions in Humans", by Hanna Damasio, MD, Randall Frank, the contents of which are incorporated herein by reference.

Figure 3A shows a side view of a plane A which intersects a coronal section 310 as well as a view of coronal section 310 with Sylvian fissure 316 exposed. Figures 3B and 3C show coronal section 310 before and after tissue is digitally "peeled off" to expose

primary auditory cortex 150. One or more resulting mounds 320 is revealed in Figure 3C and this mound corresponds to primary auditory cortex 150 of Figure 1B. Mound 320 does not appear until after tissue on the underside of Sylvian fissure 316 is reconstructed to provide the 3-dimensional image.

5 Once the exact location and orientation of mound 320 and consequently primary auditory cortex 150 have been determined using these 3-dimensional MRI image processing techniques, the actual primary auditory cortex 150 can be surgically exposed and prosthetic 200 can be accurately inserted into primary auditory cortex 150. Figure 4 shows prosthetic 200 just prior to insertion into primary auditory cortex 150. In
10 addition, Figure 4 shows a speech processor 410 coupled to leads 238 via coupling cable 414. Examples of speech processors for speech processor 410 include Nucleus Device made by Cochlear Corporation. Speech processor 410 can be miniaturized and placed directly above ear 416 in the patient's mastoid. Figure 4 also shows additional diagnostic equipment including an oscilloscope 420 coupled to prosthetic 200 via cable 424.

15 Figure 5 shows a prosthetic 510 which includes two longitudinal supports 226a and 226b according to another embodiment of the invention. Although two supports are shown, three or more such supports could be used. Longitudinal support 226a has wires 232a with corresponding leads 238a and longitudinal support 226b has wires 232b and leads 238b. Leads 238a and 238b are again connected to speech processor 410 as in Figure
20 4. In addition, scope 420 can be used to observe signals output to longitudinal support 226a and 226b.

Figure 6 shows a prosthetic 610 according to yet another embodiment of the invention. In particular, Figure 6 shows longitudinal support rod 226 with first end 606a and second end 606b. End 606a is arranged in the region of primary auditory cortex 150 with low tones (or high tones as previously discussed) and second end 606b is arranged in the region of primary auditory cortex 150 with high (or low) tones in a manner similar to first end 206a and second end 206b of Figure 2. Here, however, longitudinal support 226 has a sphere 616 which is stopped by a stopping piece 614. This enables the physician to insert longitudinal support 226 at a wide range of angles and yet secure prosthetic 610 once longitudinal support 226 has been inserted.

Figure 7A shows prosthetic 610 of Figure 6 as looking down on the patient's brain surface 704. Figure 7B shows a closer view of stopping piece 614 with a cup 708 and a lid 714 with a notch 716 for passing leads 232. Figure 7C corresponds to Figure 7A with support 226 inserted into surface 704 and sphere 616 resting in cup 708. Figure 7C also shows lid 714 covering sphere 616 with leads 232 extending out of notch 716.

Figure 8 shows a multicontact electrode apparatus 200 according to another embodiment of the invention, in which longitudinal support 226 is equipped with a magnetic tip 133 at its distal end 206b. The attribute of a magnetic tip allows for the introduction and directed movement of the prosthesis to the target tissue by the application of an external magnetic field, as described herein in connection with the disclosed apparatus for performing magnetic pallidotomy. Furthermore, the precise location of a magnetically tipped neural prosthesis, which has previously been inserted

following 3-dimensional MRI imaging and surgical exposure of the auditory cortex, may be fine tuned by the application of a suitable external magnetic field (G.T. Gillies, *et al.*, "Magnetic Manipulation Instrumentation for Medical Physics Research," *Rev. Sci. Instrum.*, 65, 533-562 (1994)). In the latter case, the magnitude and direction of the applied magnetic field may be changed in response to the patient's auditory sensations following electrical stimulation of the auditory cortex.

Stereotactic Surgical Electrode Assembly

While all cells maintain an electrical potential across their membranes, nerve cells (neurons) are highly specialized in using membrane potentials (action potentials) to transmit signals from one part of the body to another. The action potential of a neuron represents a transient depolarization of its membrane over a period of a few milliseconds. Action potentials, in turn, have proved to be valuable indicators of the physiological status and functionality of those neurons. For example, in stereotactic pallidotomy the action potential of a neuron is used as the basis for determining whether to make a lesion at the site of the particular neuron.

Monopolar microelectrodes of the prior art comprise stiff wires which are electrically insulated except for a relatively short, sharpened tip. By keeping the length of the uninsulated tip short, an electrode with a high impedance (> 1 megaohms) is obtained. A higher impedance microelectrode allows for a more precise measurement of action potentials relative to ground (using such prior art microelectrodes, typically the entire body of the patient is grounded). In contrast, electrodes with a larger area of

exposed (uninsulated) surface are characterized by a lower impedance (a few to < 1 megaohms). Consequently, larger electrodes with lower impedances ordinarily record voltage transients (field potentials) associated with larger volumes of tissue; but are unable to record action potentials from individual cells.

5 In accordance with an embodiment of this invention, it has now been discovered that action potentials can be accurately recorded from individual neurons using electrodes with a relatively large exposed surface area, and a relatively low impedance. Namely, action potentials of individual cells can be recorded using a microelectrode including a novel multipolar contact array. In a preferred embodiment, each microelectrode includes
10 a pair of contacts (corresponding to a bipolar contact) in close juxtaposition, which are coupled to at least one differential amplifier (Bak Electronics, Germantown, MD), and differential recordings are made from one contact relative to the other (instead of relative to patient ground as in the prior art). In another embodiment, each microelectrode may
15 comprise tripolar contact arrays (*stereotrodes*, B.L. McNaughton, et al., "The stereotrode: a new technique for simultaneous isolation of several single units in the central nervous system from multiple unit recordings," J. Neurosci. Methods, 8:391-397, 1983.)

Dual purpose electrode assemblies bearing neuron-monitoring electrodes, according to the invention, are useful in carrying out a range of medical procedures. As will be apparent to the skilled artisan, electrode assemblies of the instant invention are
20 particularly useful for performing various stereotactic procedures on the brain. Such stereotactic procedures include various surgical procedures on specific regions of brain

tissue, including stereotactic pallidotomy and stereotactic thalamotomy. Electrode assemblies under the invention may also be used for chronically inactivating a previously-monitored, specific region of a patient's brain tissue, without forming a lesion therein. In another embodiment, electrode assemblies of the instant invention are also
5 useful in delivering one or more chemical agents to a previously-monitored, specific region of a patient's tissues. Such chemical agents may be either toxic chemicals (where inactivation of neurons is called for), or therapeutic drugs (where therapy is indicated).

A medical procedure performed on a patient's brain, according to the invention, will now be described in general terms. Following visualization of the target tissue by
10 various imaging procedures well known in the art, a dual purpose electrode assembly 103 bearing at least one neuron-monitoring electrode 135 is introduced into the patient's brain in the vicinity of the target tissue via introducer tube 101, as described herein. The positioning of the various parts of electrode assembly 103, including electrode support shaft 137, may then be fine-tuned as appropriate. Electrode potentials from cells or
15 tissues may then be recorded and the physiological status of the cells or tissues is monitored, over a period of up to several days if necessary. Tissue at the site(s) of the monitored neuron(s) may then be treated. Treatment will vary depending on the patient's overall condition, and/or on the recordings of electrical potentials. For example, treatment may be in the form of reversible or irreversible inactivation of one
20 or more cells or a region of tissue, or by the delivery of one or more therapeutic drugs.

Various embodiments of electrode assembly 103 of the instant invention will now be described, particularly in the context of performing stereotactic pallidotomy. Other applications and uses of the electrode assembly will be apparent to the skilled artisan, and are hereby stated to be within the scope of the invention, as delineated by the claims
5 appended hereto.

Stereotactic Pallidotomy

The globus pallidus is a conical subcortical structure within the brain which is involved in the control of movement. Figure 12A shows the gross morphology, and relative size of the globus pallidus, as well as its approximate location and orientation
10 within the brain. During recent years, stereotactic pallidotomy has become recognized as a valuable procedure in the treatment of Parkinson's disease (see, for example, Laitinen, L.Y., et al., "Leksell's posteroventral pallidotomy in the treatment of Parkinson's disease," J. Neurosurg., 76:53-61, 1992; Iacono, R.P., et al., "The results, indications, and physiology of posteroventral pallidotomy for patients with Parkinson's disease,"
15 Neurosurgery, 36:1118-1127, 1995; and references cited therein.) Simply stated, the rationale for the success of this treatment is as follows. Parkinson's disease causes dysfunction due to loss of dopaminergic innervation in a part of the movement control circuit (Putamen and Caudate) distinct from the globus pallidus. However, because of the nature of the circuit, the dysfunction in Parkinson's disease can be ameliorated by
20 disruption of the circuit at the point of the globus pallidus (see, for example, Laitinen, L.Y., et al., "Leksell's posteroventral pallidotomy in the treatment of Parkinson's

disease," J. Neurosurg., 76:53-61, 1992; Iacono, R.P., et al., "The results, indications, and physiology of posteroventral pallidotomy for patients with Parkinson's disease," Neurosurgery, 36:1118-1127, 1995; and references cited therein.)

Figure 12C shows the parallel linear trajectories of electrode assemblies according to prior art pallidotomy. As shown, stereotactic pallidotomy techniques of the prior art have relied on the sequential insertion of first a microelectrode to monitor the physiologic response of neurons within a defined region of the globus pallidus, and, if the response calls for inactivation (lesioning) of neurons in that region, a second, larger, lesion-producing macroelectrode, or a cryogenic device, is targeted to the same site for the purpose of producing a lesion thereat. This process is repeated until a suitable number of sites within the globus pallidus have been monitored and, if appropriate, the neuron(s) at that site inactivated. A further feature of prior art pallidotomy is that the trajectories of the electrodes are perpendicular to the long axis of the globus pallidus (see for example Fig. 12C) Therefore, the prior art pallidotomy process outlined in the Background of the Invention section of this specification requires the surgeon to make several passes through normal brain tissues during the operation, with a concomitant risk of brain damage.

The instant invention is concerned with an apparatus including an electrode assembly including an electrode support shaft, in which electrode assembly 103 and electrode support shaft 137 are broadly equivalent to the multicontact prosthesis 200 and longitudinal electrode support 226, respectively, of the neural prosthesis described above.

Differences between the recited parts of the respective devices will be readily apparent to the skilled artisan from their descriptions herein.

Electrode assembly 103 and electrode support shaft 137 of the instant invention may be either rigid or flexible. In a preferred embodiment, both electrode assembly 103 and electrode support shaft 137 are flexible. In one embodiment electrode support shaft 103 of the instant invention bears at least one neuron-monitoring electrode 135A/135B. In a preferred embodiment electrode support shaft 103 of the instant invention bears at least one bipolar neuron-monitoring microelectrode 135A. Preferably electrode support shaft 137 includes an outer sheath 143 constructed of a flexible polymeric or co-polymeric material. A particularly preferred sheath material includes tecoflex-polyurethane (Thermetics, Woburn, MA). Preferably electrode support shaft 137 bears a plurality of bipolar neuron-monitoring microelectrodes 135A, each bipolar microelectrode 135A including two electrical contacts 136, in the form of a pair of fine wires lying external to, and approximately parallel with, the external sheath of the shaft. Each electrical contact 136 is coupled to an electrical lead 129 including at least one strand of electrically conductive material, whereby a suitable electric current may be conducted to or from each of the electrical contacts 136. Preferably each electrical lead 129 includes a flexible wire coated with an electrically insulating material. More preferably each strand of electrically conductive material includes platinum and iridium, and has a diameter in the range of 10-200 micrometers, more preferably in the range of 20-100 micrometers and most preferably in the range of 30-70 micrometers. In a preferred embodiment the

electrically insulating material coating each electrical lead includes polytetrafluoroethene (Teflon[®]). In another embodiment electrode support shaft 137 of electrode assembly 103 is flexible, bears a plurality of bipolar neuron-monitoring microelectrodes 135A, and is equipped with a magnetic tip 133 at its distal end. Magnetic tip 133 of the electrode support shaft 137 is responsive to an external magnetic field, thereby allowing for its maneuverability in response to controlled changes in an applied magnetic field. The magnetic manipulation of medical devices within a patient's body, in general, including magnetic stereotactic procedures, is known in the art (see, for example Grady, M.S., et al. "Magnetic stereotaxis: a technique to deliver stereotaxic hypothermia," *Neurosurg.*, 27:1010-1016, 1990; Grady, M.S., et al., "Nonlinear magnetic stereotaxis: Three dimensional, *in vivo* remote magnetic manipulation of a small object in canine brain," *Med. Phys.*, 17:405-415, 1990; Gillies, G.T., *et al.*, "Magnetic manipulation instrumentation for medical physics research," *Rev. Sci. Instrum.*, 65:533-562, 1994, and references cited therein.

In one embodiment of the invention, each bipolar microelectrode 135A is in the form of a pair of fine wires closely juxtaposed on electrode support shaft 137, and is capable of monitoring the activity of an individual neuron or cell by outputting electrical signals indicative of the physiological status of the particular neuron or cell. The physiological status of a neuron or cell may be used to determine whether to inactivate the particular neuron or cell.

Under the invention, neurons targeted for inactivation may be inactivated by a variety of different mechanisms and for various time periods. For example, neurons may be inactivated by exposure to radiation, infusion of a toxic chemical, cryogenic treatment (cooling), or prolonged electrical stimulation. A toxic chemical, under the invention, may be a chemical known to be a neurotoxin or a broad spectrum cytotoxin. Cryogenic treatment may be administered from at least one miniaturized cryogenic device located at one or more specific sites on the electrode support shaft. A preferred mechanism for inactivating neurons is by exposure to radio frequency (RF) radiation, using, for example, a RF lesion generator system such as model RFG-3C manufactured by Radionics (Burlington, MA). These examples should not be considered to limit the invention as defined by the claims in any way.

Inactivation of neurons may be reversible or irreversible. In general, inactivation of neurons resulting from cooling or electrical stimulation is, to some extent, reversible; whereas neuron inactivation by exposure to radiation or infiltration of a toxic chemical normally results in a permanent lesion and is irreversible.

In a preferred embodiment, electrode support shaft 137 is flexible, is equipped with a magnetic tip 133 responsive to an applied external magnetic field, and bears a plurality of neuron-monitoring microelectrodes 135A and a plurality of neuron-inactivating sites positioned along electrode support shaft 137. In a more preferred embodiment, electrode support shaft 137 is flexible, is equipped with a magnetic tip 133 responsive to an applied external magnetic field, and bears a plurality of bipolar neuron-monitoring

microelectrodes 135A and an equal number of neuron-inactivating sites positioned along electrode support shaft 137, wherein each of the plurality of bipolar neuron-monitoring microelectrodes 135A is positioned, along the longitudinal axis of electrode support shaft 137, coincidental with one of the neuron-inactivating sites. Each neuron-inactivating site is capable of inactivating one or more neurons located adjacent to that site. A plurality of bipolar neuron-monitoring microelectrodes 135A may be located at different points on the circumference of electrode support shaft 137, in other words, the position of the microelectrodes may be offset with respect to the long axis of the electrode support shaft. In another embodiment of the dual purpose electrode support shaft 137, a plurality of bipolar neuron-monitoring microelectrodes 135A may be located at different points on the circumference of electrode support shaft 137 but at the same longitudinal position on the support shaft. For example, two bipolar neuron-monitoring microelectrodes 135A may be diametrically opposed, as shown in Figure 11B. This latter arrangement allows for the simultaneous recording of two action potentials, one from each side of the support shaft. In one embodiment of the invention, each neuron-inactivating site on electrode support shaft 137 is in the form of a delivery port 141 for releasing a lesion-producing toxic chemical. Each delivery port 141 may be activated to release a measured dose of a toxin to the neuron(s), cell(s), or tissue targeted for inactivation, thereby inducing a localized lesion thereat. Many cytotoxic chemicals are known in the art, and may be used either alone (unconjugated), or conjugated to a specific monoclonal antibody or other carrier molecule (see, for example Stan, A.C., et al., "In vivo inhibition

of angiogenesis and growth of the human U-87 malignant glial tumor by treatment with an antibody against basic fibroblastic growth factor," J. Neurosurg., 82:1044-1052, 1995.)

One example of a cytotoxic chemical is ibotenic acid which selectively destroys cell bodies without damaging fibers of passage (Guldin, W.O. & Markowitsch, H.J., "No
5 detectable remote lesions following intrastriatal injections of ibotenic acid," Brain Res., 225:446-451, 1992.

In another embodiment of the invention, each neuron-inactivating site on electrode support shaft 137 is in the form of a macroscopic stimulating electrode capable of chronic electrical stimulation of the neuron(s), cell(s), or tissue targeted for
10 inactivation, thereby inducing localized, transient neuron dysfunction. With this type of treatment neuron function is generally regained some time after cessation of electrical stimulation.

In a further embodiment of the invention, each neuron-inactivating site on electrode support shaft 137 is in the form of a cryogenic device, i.e. an element which
15 causes localized cooling of those neurons or tissues with which it is in physical contact. Generally, neuron inactivation resulting from cooling is reversible, and neuron function is restored after a period of time following cessation of treatment.

In another embodiment of the invention, each neuron-inactivating site on electrode support shaft 137 is in the form of a lesion-producing macroelectrode 139,
20 which when energized delivers radio frequency (RF) energy to the neuron(s), cell(s), or tissue targeted for inactivation, thereby inducing a localized lesion thereat.

Although neuron inactivation is described herein primarily with reference to lesion production via macroelectrodes 139, this should not be considered as limiting the scope of the invention in any way.

5 A flexible embodiment of electrode assembly 103 can be initially introduced into the vicinity of the target tissue, such as the globus pallidus, via introducer tube 101 that has previously been stereotactically inserted into the patient's brain. Introducer tube 101 of the instant magnetic pallidotomy device is equivalent to the introducer described above in connection with neural prosthesis 200. Once inserted in the patient's brain, the magnetic tip 133 of electrode assembly 103 may be urged forwards by the application of
10 an external magnetic field of suitable magnitude and direction. By changing the magnitude and direction of the magnetic field electrode support shaft 137 can be directed forwards to varying extent and in different directions so that it occupies the desired conformation within the target tissue. In this situation, electrode support shaft 137 can be the to be "draped" within the target tissue. Preferably the magnetic field is generated
15 by an electromagnet or multi-coil electromagnet system positioned adjacent to, or surrounding, the head or other appropriate body part of the patient. The electromagnet or multi-coil electromagnet system may be attached to a robotic arm. One or more computers may be used to control movement of the robotic arm, and the magnitude and direction of the magnetic field, as well as to visualize the location and movement of the
20 magnetic device within the patient.

The manipulation of magnetic medical devices within the body by the application of a magnetic field is described more fully in U.S. 4,869,247 and U.S. 5,125,888 both of which are incorporated by reference herein in their entirety. Reference is also made to the following publications: Howard III, M.A., et al., "Magnetic movement of a brain thermoreceptor," *Neurosurgery*, 24: 444-448, 1989; Grady, M.S., et al. "Magnetic stereotaxis: a technique to deliver stereotaxic hypothermia," *Neurosurg.*, 27:1010-1016, 1990; Grady, M.S., et al., "Nonlinear magnetic stereotaxis: Three dimensional, in vivo remote magnetic manipulation of a small object in canine brain," *Med. Phys.*, 17:405-415, 1990; Gillies, G.T.; *et al.*, "Magnetic manipulation instrumentation for medical physics research," *Rev. Sci. Instrum.*, 65: 533-562, 1994, and references cited therein.

Once the neurons adjacent to neuron-monitoring electrodes 135A/135B and macroelectrodes 139 have been monitored and subsequently inactivated, if appropriate, electrode assembly 103 may be withdrawn to a home position within introducer tube 101 by exerting a pulling force on tether line 127. Electrode support shaft 137 may then be reintroduced into the patient and repositioned within the patient's tissues, for example, to sample additional regions within the globus pallidus. As electrode assembly 103 is reintroduced into the patient, tether line 127 retracts but its proximal end is retained within the end piece 113 of introducer tube 101 by anchor plate 125 which is fixedly attached to the proximal end of tether line 127.

Referring now to the drawings, in which like reference numerals designate like or corresponding elements throughout, there is shown in Figs. 9-11, 13-17, 20 and 23 various

elements, components or embodiments of an apparatus for introducing the distal end of at least one electrode assembly 103 into the tissues of a patient. Figures 9A, 9B and 9C illustrate three different embodiments of an electrode support shaft, in which support shaft 137 may be rigid (as depicted in Figs. 9A and 9B) or flexible (as shown in Figure 9C).
5 Preferably support shaft 137 bears at least one bipolar neuron-monitoring microelectrode 135A and at least one macroelectrode 139. Support shaft 137 may have additionally magnetic tip 133 as shown in Fig. 9C.

Figure 10 shows an electrode support shaft 137 having a magnetic tip 133 and bearing a plurality of bipolar neuron-monitoring microelectrodes 135A. Positioned
10 adjacent to each neuron monitoring microelectrode 135A is a neuron-inactivating site.

Figures 11A and 11B show details of parts of an embodiment of an electrode support shaft 137 of a dual purpose electrode assembly 103, bearing bipolar neuron-monitoring microelectrodes 135A, in which the pair of electrical contacts 136 of microelectrodes 135A are closely juxtaposed, and are positioned coincidental with, and
15 external to, macroelectrode 139.

Figures 13A-13C show apparatus for performing magnetic stereotactic surgery. Figure 13A shows introducer tube 101 positioned within the patient's skull. Electrode assembly 103 is passed through introducer tube 103 towards the targeted tissue. Fig. 13B shows the electrode assembly 103 *ex situ*. Electrode assembly 103 includes tether line
20 127, anchor plate 125, electrical leads 129 gathered at rubber exit cuff 131, and at its distal

end, electrode support shaft 137. Figure 13C shows electrode assembly 103 housed within introducer tube 101 with sealing cap 119 unattached.

Figure 14 shows a general cross sectional view of introducer tube 101. Introducer tube 101, may be flexible or rigid in its construction, and includes elongate cylindrical portion 105 with an open distal end 107, conical neck portion 109 which is continuous with portion 105, and at the proximal end 111 of introducer tube 101 is located a short cylindrical end piece 113 continuous with neck portion 109.

In a preferred embodiment the inner wall 115 of introducer tube 101 may be coated with a physiologically acceptable fluid, prior to the introduction of electrode assembly 103, in order to serve as a lubricant and to reduce drag on electrode assembly 103 as it travels within introducer tube 101.

Figure 15 shows a more detailed view of the proximal end of introducer tube 101 showing electrode assembly 103 positioned substantially within introducer tube 101, and with sealing cap 119 (not shown) unattached. From this position, electrode support shaft 137 may be moved from introducer tube 101 to target tissues and returned to introducer tube 101.

Fig. 16 shows a more detailed view of the proximal end or neck portion 109 of introducer tube 101 with sealing cap 119 attached, in which the inner wall 115 of end piece 113 has a seat 117 to accommodate sealing cap 119. Docking platform 121 is rigidly attached to the inner wall 115 of introducer tube 101. Docking platform 121 includes a perpendicular retaining wall 123 located at the perimeter of platform 121. Anchor plate

125 attached to tether line 127 is retained on docking platform 121 before and during insertion of electrode support shaft 137 into the target tissue. However, to return electrode assembly 103 from the patient to introducer tube 101, anchor plate 125 may be grasped with forceps via the handle 126 of anchor plate 125, and an upward force may then be applied to tether line 127.

Docking platform 121 may be located at different positions along the longitudinal axis of introducer tube 101 within the neck portion 109, provided that the handle 126 of anchor plate 125 is accessible to the surgeon and there is provided sufficient clearance for sealing cap 119 to be seated in the fully closed position.

Electrical leads 129, having rubber exit cuff 131, exit introducer tube 101 in the region of end piece 113 approximately diametrically opposite the location of docking platform 121.

Fig. 17 depicts a part of the distal end of an electrode assembly 103 according to a preferred embodiment of the invention, in which electrode support shaft 137 is positioned within the globus pallidus. Electrode assembly 103 has a magnetic tip 133 located at the distal end of electrode support shaft 137, and a plurality of bipolar neuron-monitoring microelectrodes 135A positioned along the long axis of electrode support shaft 137. Each bipolar neuron-monitoring microelectrode 135A is capable of monitoring the physiologic activity of an individual neuron by sensing electrical signals and outputting the sensed signals to a suitable recording means. Preferably, each bipolar neuron-monitoring microelectrode 135A is constructed of a pair of closely juxtaposed

electrical contacts 136. Each electrical contact includes a fine wire having a diameter in the range of 5 to 200 micrometers, more preferably in the range of 5 to 100 micrometers, and most preferably in the range of 10 to 40 micrometers. Adjacent to each bipolar neuron-monitoring microelectrode 135A is located a corresponding, spatially paired, lesion-producing macroelectrode 139. Preferably, the fine wires including electrical contacts 136 of bipolar microelectrodes 135A are sufficiently flexible to "flow" with each pulsation of the brain tissue, and thereby avoid disturbances in the surrounding tissues. In contrast, monopolar neuron-monitoring microelectrodes of the prior art are shorter and stiffer than those of the instant invention, which result in disruption of surrounding tissues and consequently must be removed within a relatively short period of time. The flexible, non-disrupting nature of bipolar microelectrodes 135A as described herein allows them to remain *in situ* for an extended period of time, thereby enabling the accumulation of more meaningful information on the physiological status of the particular neurons being monitored. Such information is critical in defining exactly where neuron inactivation should be performed; this, in turn, leads to maximum efficacy in the treatment and minimum complications for the patient.

According to a preferred embodiment of the invention, a magnetically tipped dual purpose multicontact electrode assembly 103 is inserted into introducer tube 101, and electrode assembly 103 is anchored to the inner wall 115 of introducer tube 101 via tether line 127 and anchor plate 125. The outside diameter of the electrode support shaft 137, including magnetic tip 133, is in the range of 1 to 4 mm, which is in the range of

currently used standard stereotaxic biopsy tools. There is sufficient excess length or slack in electrode assembly 103 and in the attached electrical leads 129 and tether line 127 so that the electrode-bearing region of electrode assembly 103 can be pulled out of introducer tube 101 into the target tissue by a suitably applied external magnetic field.

5 Under computer control, the magnetic tip 133 of electrode assembly 103 is driven into the target tissue along a preselected trajectory.

Figure 18 depicts the movement of a magnetically tipped electrode assembly 103 in the direction away from introducer tube 101 towards the apex of the globus pallidus. The magnetic tip 133 is directed along the selected trajectory by appropriate changes in
10 the magnitude and direction of an applied external magnetic field.

Figure 19 shows steps in performing magnetic pallidotomy using a dual purpose multicontact electrode assembly 103, in which introducer tube 101 is first inserted into the patient's skull in step a), electrode assembly 103 is introduced into introducer tube 101 in step b), electrode assembly 103 is located in the "home" position within introducer
15 tube 101 in step c), electrode support shaft 137 of electrode assembly 103 is directed into the globus pallidus by magnetic movement in step d), sealing cap 119 is placed on end piece 113 of introducer tube 101 in step e), electrode support shaft 137 of electrode assembly 103 is returned to the "home" position within introducer tube 101 in step f), and electrode assembly 103 is removed from the patient in step g). In the case of the
20 globus pallidus, the preferred trajectory for movement of electrode support shaft 137 generally runs along its entire longitudinal axis, and movement of the magnetic tip 133

to the end of the selected trajectory should take about 20 minutes. Sealing cap 119 can then be attached to the end piece 113 of introducer tube 101, thereby sealing introducer tube 101 at its proximal end 111.

The patient may now be removed from the magnetic surgery suite and returned
5 to the hospital ward. A number of globus pallidus neurons may now be monitored for their physiologic activity, and the activity monitored by each microelectrode 135 may be recorded using a suitable recording device. Based on the neuronal activity monitored and on physiologic criteria, a decision can be made whether to inactivate the particular neuron(s) under study.

10 If inactivation of a particular neuron is called for, a lesion may be made by energizing the appropriate lesion-producing macroelectrode(s) 139 with a suitable electric current. Preferably, the energy used to produce lesions is in the radio frequency (RF) range. The functional consequences of neuron inactivation can then be assessed by testing the patient on the hospital ward. If the results are satisfactory, the electrode
15 assembly 103 may be removed. Alternatively, it may be desirable to monitor other neurons which are located at different regions within the globus pallidus. In the latter case sealing cap 119 is first removed from introducer tube 101.

As depicted in Fig. 20, the handle 126 of anchor plate 125 may be grasped with forceps and an upward force exerted on tether line 127, whereby electrode assembly 103
20 is "reloaded" or returned to the home position within introducer tube 101. The magnetic tip 133 of electrode assembly 103 may now be redirected, again by the application of a

suitable external magnetic field, along a second preselected trajectory until it once again occupies the desired conformation within the target tissue. The process of monitoring and selectively inactivating individual neurons may then be repeated. A method for performing pallidotomy according to one embodiment of the instant invention is
5 illustrated by way of Example 1.

Figure 21 shows steps in making a dual purpose multicontact electrode assembly useful in performing magnetic stereotactic surgery, wherein there is provided in step a) an electrode support shaft 137 bearing electrical leads 129 for coupling to bipolar microelectrodes 135A and macroelectrodes 139, a plurality of bipolar microelectrodes
10 135A are attached to electrode support shaft 137 in step b), each of a plurality of macroelectrodes 139 is attached to electrode support shaft 137 adjacent to each of the plurality of bipolar microelectrodes 135A in step c), a magnetic tip 133 is affixed to electrode support shaft 137 in step d), tether line 127 and anchor plate 125 are attached to electrode support shaft 137 at a position on 137 remote from the bipolar
15 microelectrodes 135A and the macroelectrodes 139 in step e), and rubber exit cuff 131 encompasses electrical leads 129 in step f).

Figure 22 shows steps in making introducer tube 101, wherein there is provided an elongate cylinder 105 in step (i), first narrower end of conical neck portion 109 is rigidly attached coaxially to elongate cylinder 105 in step (ii), cylindrical end piece 113
20 is rigidly attached coaxially to second broader end of conical neck portion 109 in step (iii),

docking platform 121 including retaining wall 123 is rigidly attached to the inner wall of cylindrical end piece 113 in step (iv), and sealing cap 119 is provided in step (v).

Targeted delivery of therapeutic drugs

One embodiment of a dual purpose stereotactic electrode assembly 103, under the
5 invention, may be used to deliver a measured dose of one or more therapeutic drugs to specific regions of tissues or organs undergoing treatment. In this regard, one or more cells within such regions of tissues, or such regions of tissue themselves, may have been previously monitored for their physiological activity, by means of at least one monitoring electrode 135 mounted on electrode support shaft 137 of electrode assembly
10 103, prior to drug delivery. Thus, monitoring electrodes 135 on electrode support shaft 137 may be multipolar microelectrodes 135A which are capable of monitoring action potentials from individual cells, or they may be monopolar electrodes 135B capable of recording field potentials from a region of tissue.

The dual purpose cell monitoring/drug delivering electrode assembly embodiment
15 of the invention is particularly useful for delivering a measured dose of a therapeutic drug to a region of previously-monitored tissue within the human brain. Such an electrode assembly 103 may be used, for example, in the treatment of epilepsy by the release of a therapeutic drug to specific regions of the cerebral cortex following monitoring of those regions with monitoring electrodes.

20 Referring now to Fig. 23, there is provided a dual purpose electrode support shaft 137 of an electrode assembly 103, bearing a plurality of monitoring electrodes 135 and a

plurality of delivery ports 141, which is capable of both monitoring the physiological activity of individual cells or tissues, and delivering a therapeutic drug to a specific site within a patient's tissues. Such an electrode support shaft, and the electrode assembly as a whole, is particularly suited to delivering a therapeutic drug to a specific site within a patient's brain. In one embodiment, such a dual purpose electrode support shaft 137 bears at least one bipolar neuron-monitoring microelectrode 135A capable of monitoring action potentials from individual neurons, and has at least one delivery port 141 capable of releasing a therapeutic drug. In another embodiment, a dual purpose electrode support shaft 137 bears at least one monopolar neuron-monitoring electrode 135B capable of monitoring field potentials from regions of brain tissue, and has at least one delivery port 141 capable of releasing a therapeutic drug. In yet another embodiment, a dual purpose electrode support shaft 137 bears at least one bipolar neuron-monitoring microelectrode 135A capable of monitoring action potentials from individual neurons, and further bears at least one monopolar electrode 135B capable of monitoring field potentials from regions of brain tissue, and has at least one delivery port 141 capable of releasing a therapeutic drug.

The drug-delivering embodiments of the electrode support shaft 137 may be used, under the invention, as an integral part of a flexible, multicontact, dual purpose, magnetically tipped electrode assembly 103, substantially as described above in the context of stereotactic pallidotomy, and may be similarly used in conjunction with introducer tube 101, also described above. The procedures of introducing and positioning

electrode support shaft 137 within the target tissue may be performed substantially as described above in the context of magnetic stereotactic surgery, under the invention, and/or according to prior art stereotactic medical procedures.

The method of infusing drugs through small openings in the brain catheter would
5 be similar to that described by Lieberman, et al. (Lieberman, et al., "Convection-enhanced distribution of large molecules in gray matter during interstitial drug infusion," J. Neurosurg., 82:1021-1029, 1995.)

Delivery ports 141 may be positioned along support shaft 137 in a defined spatial relationship with neuron-monitoring electrodes 135A/135B to permit accurate delivery
10 of the drug to the target tissue.

Each drug delivery port 141 may be coupled to at least one drug delivery supply line 145, and each supply line may be connected, through a valve to a suitable mechanism for delivering a liquid. For example, surgical tubing, valves, and pumps known in the art may be used, or adapted for use, in conjunction with the apparatus of the instant
15 invention. A suitable liquid delivering mechanism may in turn be connected to a variable volume reservoir for storing a suitable dose of a therapeutic drug to be delivered during treatment of the target tissue. Drug delivery may then be enacted by the simple expedient of opening the valve and activating a pump, until the reservoir is emptied, or until a suitable measured dose has been released. Each variable volume reservoir and
20 pumping means may be linked to a single delivery port 141, or to a plurality of delivery

ports 141. In the latter case, by selectively activating the valve which controls fluid flow to each delivery port 141, the exact site(s) of drug delivery can be controlled.

Referring now to Figure 25, there is shown one embodiment of a dual purpose neuron-monitoring/drug delivery electrode support shaft, bearing a plurality of
5 multipolar neuron-monitoring microelectrodes 135A, and an equal number of spatially paired drug delivery ports 141. Each drug delivery port 141 is connected via a drug delivery supply line 145 to a reservoir/pump unit 147 for storing and dispensing a drug. The plurality of drug delivery supply lines 145 are distributed to their respective plurality of reservoir/pump units 147 by way of a drug delivery supply line manifold cap 148
10 located towards the proximal end of electrode assembly 103. The location of a plurality of drug delivery supply lines 145 within the hollow body of the electrode support shaft 137 is shown in Figure 26A, 26B.

The dual purpose neuron monitoring/drug delivery electrode assembly 103 described above may be used to administer therapeutic drugs to patients suffering from
15 various disorders of the brain, including both chronic (e.g. epilepsy) and acute (e.g. cerebral aneurysm) conditions. For example, in the case of medically refractory epilepsy, the dual purpose neuron-monitoring/drug delivery electrode assembly 103 including a flexible magnetically tipped electrode support shaft 137 may be inserted through a burr hole in the patient's skull via introducer tube 101, such that the magnetic tip 133 of
20 support shaft 137 is approximately in a desired location within the patient's skull. In the magnetic surgery suite, electrode support shaft 137 may be magnetically manipulated

under computer control until it occupies the desired position. The location of neuron-monitoring electrodes 135A/135B may be documented in a post-implantation imaging study. Once electrode support shaft 137 is suitably positioned, acute intraoperative monitoring of neurons in contact with electrodes 135A/135B may be undertaken.

5 Alternatively, the patient may be taken from the magnetic surgery suite to the epilepsy monitoring unit, and the physiological activity of a number of neurons may then be monitored chronically, using multipolar microelectrodes 135A, over a period of a number of days. All data generated during this time can be stored using a multichannel tape recorder (Racal, Herndon, VA), and may be analyzed off-line in the laboratory.

10 Based on the data thus obtained and on criteria of physiologically normal parameters, an informed decision can be made as to whether drug treatment is indicated, and if so, the optimum treatment regime (nature of the drug, dosage, etc.) to be followed. Subsequently an appropriate dose of one or more therapeutic drugs may be selectively released from one or more drug delivery ports 141 positioned on electrode support shaft 137.

15 The functional consequences of drug treatment may be assessed either in the epilepsy monitoring unit prior to removal of the dual purpose electrode assembly 103, or subsequently. If, after assessing the patient, further treatment is indicated, either an additional dose of the same drug, or a first dose of a different drug, may be administered to those neurons that have already been monitored. Further, if patient assessment in the
20 epilepsy monitoring unit indicates that it is desirable to monitor, and potentially administer a therapeutic drug to, additional neurons located at a different site of the

cerebral cortex, electrode assembly 103 may be retracted into introducer tube 101, and the patient returned to the magnetic surgery suite. The above process may be repeated until a satisfactory result is achieved. A method for targeted delivery of therapeutic drugs to a patient, according to one embodiment of the invention, is described in Example 2.

5 As will be readily apparent to the skilled artisan, epilepsy treatment may also be performed by the selective inactivation of previously monitored neurons or regions of brain tissue, substantially according to the methods and apparatus, under the invention, described herein in the context of stereotactic pallidotomy. As discussed above, neuron inactivation may be effected by various treatments, including irradiation, treatment with
10 a toxic chemical, cryogenic treatment and chronic electrical stimulation.

Hypothalamic Obesity Probe

There now follows a description of a hypothalamic obesity probe apparatus according to one embodiment of the invention, as well as methods of using the same.

Figure 27A shows a perspective view of a hypothalamic stimulation trials electrode
15 assembly or hypothalamic obesity probe (HOP) 1101 according to one embodiment of the invention. HOP 1101 is for stereotactic placement in the hypothalamus of an obesity patient, and includes a macrocatheter 1103 which may house at least one electrode support shaft 1105. Each electrode support shaft 1105 may be fine caliber to very fine caliber.

20 Each of the at least one electrode support shafts 1105 bears a plurality of electrical contacts 1107 arranged longitudinally on each electrode support shaft 1105. Preferably

each of the plurality of electrical contacts 1107 is arranged on each electrode support shaft 1105 in such a manner that plurality of electrical contacts 1107 do not protrude from electrode support shaft 1105. Each of the plurality of electrical contacts 1107 may have its own electrical lead, and can be independently controlled. Each of the plurality of electrical contacts 1107 is electrically coupled to an electrical stimulation device (not shown). The electrical stimulation device allows for transmission of electrical signals to each of the plurality of electrical contacts 1107. Further, each of the plurality of electrical contacts 1107 may be capable of independently outputting electrical discharges to the hypothalamus. The FOP may be programmed to determine: which of the plurality of electrical contacts 1107 output electrical discharges, when electrical discharges are output from the plurality of electrical contacts 1107, and also the frequency of the electrical discharges outputted from the plurality of electrical contacts 1107.

Each electrical contact 1107 may function as a monopolar stimulation electrode; or according to another embodiment, each pair of electrical contacts 1107 may function as a bipolar stimulation electrode. By "stimulation electrode" is meant one or more electrical contacts which is/are capable of transmitting or delivering electrical discharges, to nearby neurons, at either a relatively low frequency or a relatively high frequency, wherein the electrical discharges may cause either excitation (activation) or inhibition of the nearby neurons. Analogously, by "stimulating" neurons is meant a process or step for delivering one or more electrical discharges from one or more electrical contacts to one or more nearby neurons, the one or more electrical discharges at either a relatively

low frequency or a relatively high frequency, wherein the one or more electrical discharges may cause either excitation (activation) or inhibition of the nearby neurons.

Electrical discharges of relatively low frequency (e.g. *circa* 50 Hz) and those of relatively high frequency (e.g. *circa* 200 Hz) are expected to have opposite functional effects on nearby neurons: excitation and inhibition of surrounding tissue, respectively. This is directly relevant to the use of the HOP as an electrode assembly for performing stimulation trials on the manipulation of hypothalamic function as a means for regulating the appetite of an individual, i.e. the HOP is used to test the effect on appetite control of variable electrical stimulation frequencies in different regions of the hypothalamus. Thus, if an inhibitory electrical discharge (of relatively high frequency) is delivered to neurons in a portion of the hypothalamus that functions to increase appetite, a decrease in appetite may result. Similarly, if an excitatory electrical discharge (of relatively low frequency) is delivered to neurons in a portion of the hypothalamus that functions to decrease appetite, a decrease in appetite will once again be expected. Consequently, the concept of multi-frequency electrical stimulation of the hypothalamus associated with the HOP provides two optional approaches to curbing the appetite of an obesity patient, and at the same time increases the likelihood of finding regions of the hypothalamus which are responsive to appetite control via electrical stimulation. The likelihood of finding regions of the hypothalamus which are responsive to appetite control via electrical stimulation may be further increased by the use of a plurality of electrode support shafts 1105, as well

as by the use of a plurality of electrical contacts 1107 arranged longitudinally on each of the electrode support shafts 1105.

Thus, stimulation trials hypothalamic electrode assembly or HOP 1101, as described above, may be introduced via an introducer tube (not shown in Figure 27A) through a burr hole in the patient's cranium to a location adjacent the hypothalamus, whence at least one electrode support shaft may be inserted in the hypothalamus. According to a preferred embodiment of the invention, a plurality of electrode support shafts may be inserted in the hypothalamus. By monitoring the clinical effect of electrical discharges of different frequencies and from different stimulation electrodes located in different selected portions or regions of the hypothalamus, the neurosurgeon may determine which portions of the hypothalamus are likely to provide a clinically useful result (i.e. the long term suppression of appetite of the obesity patient) following chronic electrical stimulation. The HOP may then be programmed to provide electrical discharges of suitable frequencies, periodicities, etc. from selected stimulation electrodes, in order to mimic or duplicate the monitored clinical effects on appetite suppression.

Alternatively, according to another embodiment of the invention, by monitoring the clinical effect of electrical discharges of different frequencies and from different stimulation electrodes located in different selected portions or regions of the hypothalamus, the neurosurgeon may determine an appropriate region of the hypothalamus in which to position a chronic electrical stimulation device (not shown) for the long term suppression of appetite of the obesity patient. Such a chronic electrical

stimulation device may be pre-programmed prior to insertion in the hypothalamus to provide electrical discharges of suitable frequencies, periodicities, etc. in order to mimic or duplicate the clinical effects of appetite suppression as observed following electrical stimulation using the HOP.

5 According to a preferred embodiment of HOP 1101, 1101' (Figure 27B), each stimulation electrode or electrical contact 1107 is capable of independently outputting electrical discharges in the frequency range of from about 10 to about 400 Hz, i.e. spanning the entire frequency range of electrical discharges from relatively low frequency to relatively high frequency.

10 Macro catheter 1103 may house from one electrode support shaft 1105 to dozens of electrode support shafts 1105. Preferably macro catheter 1103 may house from two to about 10 electrode support shafts 1105. Each electrode support shaft 1105 includes a plurality of stimulation electrodes or electrical contacts 1107. Preferably, the HOP of the invention includes a sufficient number of electrode support shafts and a sufficient number
15 and arrangement of stimulation electrodes 1107 that the entire hypothalamus can be mapped during a single insertion of the macro catheter into the brain of the patient. By mapping of the hypothalamus is meant monitoring the response of different regions of the hypothalamus to electrical discharges from stimulation electrodes. Each stimulation
20 electrode 1107 may be coupled to a single electrical stimulation device (not shown) by electrical leads 1106.

Figure 27B shows a HOP or stimulation trials electrode assembly 1101', according to another embodiment of the invention, in which macrocatheter 1103 may include a magnetic unit 1104 secured thereto to permit magnetic stereotactic placement of macrocatheter 1103 at a predetermined location within the patient's brain. Preferably, the predetermined location for placement of macrocatheter 1103 within the patient's brain is adjacent to the hypothalamus. In a preferred embodiment, magnetic unit 1104 is secured at the distal end of macrocatheter 1103. In one embodiment, magnetic unit 1104 is in the form of a magnetic collar secured at the distal end of macrocatheter 1103.

Figure 28A shows a cross-sectional view of the distal end of a single electrode support shaft 1105 of HOP 1101, according to one embodiment of the invention, in which two electrical contacts 1107 are each separately coupled via electrical leads to an electrical stimulation device (not shown), and each electrical contact 1107 functions separately as a monopolar stimulation electrode.

Figure 28B shows a cross-sectional view of the distal end of a single electrode support shaft 1105 of HOP 1101 with two bipolar electrodes, including a total of four electrical contacts 1107 each separately coupled via electrical leads to an electrical stimulation device (not shown), according to another embodiments of the invention.

Hypothalamic Drug Microinfusion Assembly

There now follows a description of a hypothalamic drug microinfusion assembly according to another embodiment of the invention, as well as methods of using the same.

Figure 29A shows a perspective view of a hypothalamic drug infusion assembly 1001, according to another embodiment of the invention. Drug infusion assembly 1001 includes a macrocatheter 1003 which may house at least one microinfusion catheter 1005 for placement in the hypothalamus. Each microinfusion catheter 1005 may be fine
5 calibrated to very fine calibrated diameters.

Each of the at least one microinfusion catheters 1005 is functionally coupled to a drug delivery manifold 1009. A drug supply line 1011 is functionally coupled to drug delivery manifold 1009, and a drug reservoir/pump 1013 for retaining and pumping a drug is functionally coupled to drug supply line 1011. Each of the at least one
10 microinfusion catheters 1005 may have a plurality of drug delivery ports 1007 (Figure 30).

While in use, drug reservoir/pump 1013 is located subcutaneously and adjacent to the cranium. Drug reservoir/pump 1013 pumps a drug at a variable rate, and the variable rate of pumping a drug may be controlled percutaneously by a radio control unit (not shown), the latter well known in the art. Drug reservoir/pump 1013 may include a valve
15 1015, such as a recharge valve for recharging reservoir/pump 1013 with a quantity of a drug.

The term "drug" as used herein means any chemical entity, whether natural, synthetic, or semisynthetic, or derivatives thereof, which exhibit a pharmacological effect related to appetite regulation, and may include various neurotransmitters and regulatory
20 molecules. According to a preferred embodiment of the invention, valve 1015 may be accessible externally or percutaneously.

Figure 29B shows a perspective view of a hypothalamic drug infusion assembly 1001', according to another embodiment of the invention. Drug infusion assembly 1001' is similar to drug infusion assembly 1001, with the exception that the former includes a magnetic unit 1004. According to a currently preferred embodiment, magnetic unit 1004 is located at the tip or distal end of macrocatheter 1003 as a collar secured to the perimeter of macrocatheter 1003. Magnetic unit allows for the magnetic stereotactic placement of macrocatheter 1003 at a specific location within the brain, for example placement at a location adjacent to the hypothalamus.

Figure 30 shows a perspective view of the distal end of macrocatheter 1003 of hypothalamic drug infusion assembly 1001, showing three microinfusion catheters 1005 protruding therefrom, according to one embodiment of the invention. It is to be understood that, whereas three microinfusion catheters 1005 are depicted in Figure 30, the actual number of microinfusion catheters 1005 housed within macrocatheter 1003 could be greater or lesser than three, or may equal three. Each microinfusion catheter 1005 includes a plurality of drug delivery ports 1007. Each drug delivery port 1007 may be fine caliber to very fine caliber. Each of the plurality of drug delivery ports 1007 is independently controllable and capable of independently outputting a drug; and each of the plurality of drug delivery ports 1007 is therefore capable of independently delivering a drug to a separate site within the hypothalamus of a patient. The amount of drug outputted from the plurality of drug delivery ports 1007 is determined by

reservoir/pump 1013, the latter capable of pumping a drug at a variable pumping rate which may be controlled percutaneously by radio control as discussed hereinabove.

Figure 31 summarizes steps involved in a method for treating an obesity patient by outputting electrical discharges from a HOP to selected portions of the patient's hypothalamus, according to a currently preferred embodiment of the invention. Thus, 5 step 901 involves obtaining a three dimensional (digital) image of a patient's brain, the image including, and showing the position or location of the hypothalamus. Step 903 involves inserting a macrocatheter of a HOP (e.g. 1101', Fig. 27B) adjacent to the hypothalamus. The macrocatheter may be introduced via an introducer tube (not 10 shown) through a burr hole formed in the patient's cranium. At least one electrode support shaft is inserted into the hypothalamus in step 905, wherein the at least one electrode support shaft bears a plurality of longitudinally arranged stimulation electrodes. Preferably step 905 involves inserting a plurality of electrode support shafts within the hypothalamus, each of the plurality of electrode support shafts bearing a plurality of 15 longitudinally arranged stimulation electrodes, and each of the plurality of stimulation electrodes being capable of independent control, whereby a multitude of target areas or portions of the hypothalamus can be sampled following a single surgical procedure. Then, step 907 involves outputting electrical discharges from at least one of the plurality of stimulation electrodes, thereby stimulating at least one neuron in the hypothalamus. 20 Step 909 then involves observing and/or monitoring the clinical effect or clinical effects of step 907. In this way, the entire hypothalamus may be mapped to determine those

particular stimulation electrodes of the plurality of stimulation electrodes which will provide a clinically useful result or effect. Step 910 involves delivering electrical discharges from those particular stimulation electrodes of the plurality of stimulation electrodes determined in step 909 to provide a clinically useful result. The HOP may be
5 programmed for the chronic output of suitable electrical discharges from those particular stimulation electrodes determined to provide a clinically useful result.

Figure 32 is a schematic representation of steps involved in a method for treating an obesity patient, according to another embodiment of the invention, in which a three dimensional (digital) image of a patient's brain is obtained in step 901. Step 903 then
10 involves inserting a macrocatheter of a HOP (e.g. 1101', Fig. 27B) adjacent to the hypothalamus, wherein the HOP includes a plurality of electrode support shafts. The plurality of electrode support shafts are inserted into a first region, or region I, of the hypothalamus in step 905, wherein each of the plurality of electrode support shafts bear a plurality of longitudinally arranged stimulation electrodes. Then, step 907 involves
15 stimulating a plurality of neurons in the first region of the hypothalamus by delivering electrical discharges from the plurality of stimulation electrodes. Step 909 then involves observing and/or monitoring the clinical effects of step 907. If a useful clinical effect is not observed in step 909, step 911 involves removing the plurality of electrode support shafts from region I of the hypothalamus, and reinserting the plurality of electrode
20 support shafts, bearing a plurality of longitudinally arranged stimulation electrodes, into a second region, or region II, of the hypothalamus. Step 913 involves stimulating a

plurality of neurons in region II of the hypothalamus by delivering one or more electrical discharges from the plurality of stimulation electrodes to neurons in region II. Step 915 involves observing and/or monitoring the clinical effects of step 913 to determine those particular stimulation electrodes of the plurality of stimulation electrodes which will provide a clinically useful result or effect. Based on the clinical effects observed in step 5 915, step 917 involves delivering electrical discharges from those particular stimulation electrodes of the plurality of stimulation electrodes determined in step 915 to provide a clinically useful result. The HOP may be programmed for the chronic output of suitable electrical discharges from those particular stimulation electrodes determined to provide 10 a clinically useful result.

It is to be understood that, according to the invention, a "region" of the hypothalamus may refer to a region or volume of the hypothalamus which lies in the vicinity of a single electrode support shaft 1105 and is "targeted" (or sampled) by that single electrode support shaft 1105, or "region" of the hypothalamus may refer to a 15 plurality of regions or volumes, wherein each of the plurality of regions or volumes is targeted simultaneously by a plurality of electrode support shafts 1105.

By "region I" or "first region" of the hypothalamus is meant that region or group of regions targeted as a result of a first insertion of at least one electrode support shaft 1105 into the hypothalamus. By "region II" or "second region" of the hypothalamus is 20 meant a second, third, or any additional number of randomly or otherwise selected

regions targeted as a result of a corresponding second, third, or any additional number of insertions of at least one electrode support shaft 1105 into the hypothalamus.

Figure 33 schematically summarizes steps involved in a method for treating an obesity patient by microinfusing a drug into one or more selected portions of the hypothalamus of a patient, according to another embodiment of the invention, wherein

5 step 901 involves obtaining an image of the hypothalamus of the patient. Step 921 then involves inserting a macrocatheter into the patient's brain adjacent to the hypothalamus. The macrocatheter houses at least one microinfusion catheter. Each microinfusion catheter includes a plurality of independently controllable drug delivery ports, each of

10 the plurality of drug delivery ports being functionally coupled to a drug supply line. Under the invention, the macrocatheter may be inserted adjacent to the hypothalamus via a burr hole in the patient's cranium, and the macrocatheter may be introduced into the patient's brain via an introducer tube (not shown) inserted into the burr hole. Step 923 involves inserting the at least one microinfusion catheter into the hypothalamus.

15 Thereafter, step 925 involves sequentially infusing a drug from various members of the plurality of delivery ports on the at least one microinfusion catheter into corresponding sites of the hypothalamus proximate the various members of the plurality of delivery ports. Step 927 involves observing and/or monitoring the clinical effect of step 925, in order to determine which of the various members of the plurality of delivery ports will

20 provide a useful clinical result. Finally, step 928 involves delivering a drug from those

selected members of the plurality of delivery ports determined in step 927 to provide a useful or desired clinical effect.

Figure 34 is a schematic representation of steps involved in a method for treating an obesity patient by microinfusing a drug from at least one microinfusion catheter into the hypothalamus of the patient, according to another embodiment of the invention. Thus, step 901 involves obtaining an image of the hypothalamus of the patient. Step 921 then involves inserting a macrocatheter into the patient's brain adjacent to the hypothalamus. Step 923 involves inserting at least one microinfusion catheter into a first region, or region I, of the hypothalamus. Step 925 involves sequentially infusing a drug from various members of the at least one drug delivery port on the at least one microinfusion catheter into a site within region I of the hypothalamus adjacent to the at least one drug delivery port. Step 927 involves observing and/or monitoring the clinical effect of step 925. In the event that a useful clinical effect is not observed in step 927, step 929 involves removing the at least one microinfusion catheter from region I of the hypothalamus and reinserting the at least one microinfusion catheter into a second region, or region II, of the hypothalamus. Step 931 involves sequentially infusing a drug from various members of the at least one drug delivery port on the at least one microinfusion catheter into a site within region II of the hypothalamus adjacent to the at least one drug delivery port. Step 933 involves observing and/or monitoring the clinical effect of step 931, in order to determine which of the various members of the plurality of delivery ports will provide a useful clinical result. Finally, step 935 involves

delivering a drug to selected portions of the hypothalamus from those selected members of the plurality of delivery ports determined in step 933 to provide a useful or desired clinical effect.

Based on the clinical effect observed following microinfusion of certain drugs into specific sites within the hypothalamus a suitable drug treatment regimen may be instigated to effectively suppress the appetite of an obesity patient over a prolonged period of time. As a result an extended period of weight loss may be followed by a further extended, or indefinite period, of more or less constant body weight in the normal range for an individual of the patient's height and bone mass.

Figure 35A is a schematic representation of steps involved in a method for treating an obesity patient by electrical stimulation of the hypothalamus of the patient, according to a preferred embodiment of the invention. In step 1201 a three dimensional digital image of the patient's brain indicating the precise location of the hypothalamus is provided. Step 1203 involves forming a burr hole at an appropriate location in the patient's cranium. Step 1205 involves inserting an introducer tube into the burr hole; and step 1207 involves introducing a macrocatheter into the introducer tube. The macrocatheter may have a magnetic unit secured to the distal end of the macrocatheter, and the macrocatheter houses at least one electrode support shaft which includes a longitudinal arrangement of a plurality of stimulation electrodes. Step 1209 involves inserting the macrocatheter in a zone of the patient's brain adjacent to the hypothalamus. The inserting step 1209 may include magnetic stereotactic placement of the macrocatheter

in a zone of the patient's brain adjacent to the hypothalamus, and the magnetic stereotactic placement of the macrocatheter may be performed under computer control.

Step 1211 involves inserting the at least one electrode support shaft into the hypothalamus. Step 1213 involves electrically stimulating at least one neuron in the hypothalamus, by means of electrical discharges of various frequencies, the electrical discharges outputted by, or delivered from, one or more of the plurality of stimulation electrodes. Step 1215 involves monitoring the clinical effect of step 1213 to define regions of the hypothalamus which will provide a desired clinical result when electrical discharges are outputted thereto. Step 1216 involves outputting or delivering electrical discharges to defined regions of the hypothalamus over a period of time commensurate with treatment for obesity. Depending on the patient's condition, the period of time for treatment may range from several days to several years. The defined regions of the hypothalamus to which electrical discharges are delivered are determined based on the clinical effects of electrical stimulation as monitored in step 1215.

Figure 35B is a schematic representation of steps involved in a method for treating an obesity patient by microinfusing a drug from at least one microinfusion catheter into the hypothalamus of the patient, according to another embodiment of the invention. Steps 1201 to 1215 of the method of Figure 35B are substantially as described above for steps 1201 to 1215 of the method of Figure 35A. The method of Figure 35B then includes the additional steps 1225 through 1233 as follows. Step 1225 involves removing the at least one electrode support shaft from the hypothalamus. Step 1227 involves removing

the first macrocatheter from the zone of the patient's brain. Step 1229 involves inserting a second macrocatheter into the zone of the patient's brain whence the first macrocatheter was removed. The second macrocatheter inserted into the zone of the patient's brain includes or houses at least one microinfusion catheter, and the at least one
5 microinfusion catheter has a longitudinal arrangement thereon of a plurality of drug delivery ports. Each of the plurality of drug delivery ports is capable of independently outputting or delivering a drug to a separate site within a given region of the hypothalamus. Step 1231 involves inserting the at least one microinfusion catheter of the second macrocatheter into the appropriate region of the hypothalamus, the appropriate
10 region defined by observing a satisfactory or desired clinical effect when at least one neuron within the appropriate region undergoes electrical stimulation, according to the clinical effect observed in step 1215. Step 1233 involves infusing a drug from at least one of the plurality of drug delivery ports to at least one site within the appropriate region of the hypothalamus.

15 Figure 35C is a schematic representation of steps involved in a method for treating an obesity patient by microinfusing a drug from at least one microinfusion catheter into the hypothalamus of the patient, according to yet another embodiment of the invention. In step 1201 a three dimensional digital image of the patient's brain indicating the precise location of the hypothalamus is provided. Step 1203 involves forming a burr hole at an
20 appropriate location in the patient's cranium. Step 1205 involves inserting an introducer tube into the burr hole; and step 1207 involves introducing a first macrocatheter into the

introducer tube. The first macrocatheter may have a magnetic unit secured to the distal end of the first macrocatheter, and the first macrocatheter houses at least one electrode support shaft which includes a longitudinal arrangement of a plurality of stimulation electrodes. Step 1209 involves inserting the first macrocatheter in a zone of the patient's
5 brain adjacent to the hypothalamus. The inserting step 1209 may include magnetic stereotactic placement of the first macrocatheter in a zone of the patient's brain adjacent to the hypothalamus, and the magnetic stereotactic placement of the first macrocatheter may be performed under computer control.

Step 1211 involves inserting the at least one electrode support shaft into a selected
10 first region, or region I, of the hypothalamus. Step 1213 involves electrically stimulating at least one neuron in the selected first region of the hypothalamus, by means of electrical discharges outputted by or delivered from the plurality of stimulation electrodes. Step 1215 involves monitoring the clinical effect of step 1213. Step 1217 involves, first the removal of the at least one electrode support shaft from the selected first region of the
15 hypothalamus, and then the reinsertion of the at least one electrode support shaft in a selected second region, or region II, of the hypothalamus. Step 1221 involves monitoring the clinical effect of step 1219. Step 1223 involves repeating steps 1217 through 1221 as appropriate until a satisfactory or desired clinical effect is obtained, and therefore an appropriate region for stimulation of at least one neuron within the hypothalamus may
20 be defined. Step 1225 then involves removing the at least one electrode support shaft

from the hypothalamus. Step 1227 involves removing the first macrocatheter from the zone of the patient's brain.

Step 1229 of Figure 35C involves inserting a second macrocatheter into the zone of the patient's brain whence the first macrocatheter was removed. The second macrocatheter inserted into the zone of the patient's brain includes or houses at least one microinfusion catheter, and the at least one microinfusion catheter has a longitudinal arrangement thereon of a plurality of drug delivery ports. Each of the plurality of drug delivery ports is capable of independently outputting or delivering a drug to a separate site within a given region of the hypothalamus. Step 1231 involves inserting the at least one microinfusion catheter of the second macrocatheter into the appropriate region of the hypothalamus, the appropriate region defined by observing a satisfactory or desired clinical effect when at least one neuron within the appropriate region undergoes electrical stimulation, according to steps 1217 through 1223. Step 1233 involves infusing a drug from at least one of the plurality of drug delivery port to at least one site within the appropriate region of the hypothalamus.

Figure 36A schematically shows steps involved in a method for treating an obesity patient by chronic electrical stimulation of the hypothalamus of the patient by implantation in the hypothalamus of a programmable hypothalamic obesity probe, according to a preferred embodiment of the invention. Step 1301 involves obtaining a three dimensional digital image of a patient's brain showing the location of the hypothalamus. Step 1303 involves inserting a macrocatheter into a zone of the patient's

brain adjacent to the hypothalamus. The macrocatheter houses at least one electrode support shaft, and each of the at least one electrode support shafts has a plurality of stimulation electrodes. In turn, each of the plurality of stimulation electrodes is capable of independently outputting electrical discharges of various frequencies, for example at
5 any given frequency over the range of from about 10 Hz to about 400 Hz. Step 1305 involves inserting the at least one electrode support shaft into the hypothalamus of the patient. Step 1307 involves delivering electrical discharges of various frequencies from a first set of the plurality of stimulation electrodes to a first set of neurons within the hypothalamus. Step 1309 involves delivering electrical discharges of various frequencies
10 from at least one further set of the plurality of stimulation electrodes to at least one further set of neurons within the hypothalamus. In this regard, a "set" of stimulation electrodes may be a single member of the plurality of stimulation electrodes, located at a defined location on a defined member of the at least one electrode support shafts, which delivers an electrical discharge to a single site within the hypothalamus; or, a "set" of
15 stimulation electrodes may include more than one member of the plurality of stimulation electrodes, each located at a defined location on one or more defined members of the at least one electrode support shafts, from which a plurality of electrical discharges are delivered simultaneously to a plurality of sites within the hypothalamus. By analogy, a "set" of neurons may be a single neuron targeted by an electrical discharge from a single
20 stimulation electrode, or a "set" of neurons may include a plurality of neurons targeted simultaneously by a plurality of simultaneously transmitted or outputted electrical

discharges from a corresponding plurality of stimulation electrodes. Step 1311 involves monitoring the clinical effects of steps 1307 and 1309 on appetite regulation by the patient, in order to determine the clinical effects of various combinations of electrical discharge frequency/location of stimulation electrodes. Such clinical effects may be
5 monitored on the ward over a period of several hours, and subsequently over a more extended period of a number of days. Step 1313 involves optimizing the electrical discharges delivered to the neurons within the hypothalamus, according to steps 1307 and 1309, for optimum appetite regulation by the patient. As alluded to above, step 1313 may include optimizing both the frequency of the electrical discharges over an extended
10 frequency range from about 10-400 Hz, and the set of stimulation electrodes from which the electrical discharges are outputted. In the latter case, the set of stimulation electrodes from which the electrical discharges are outputted correspond, or directly relate to, specific target sites or regions within the hypothalamus. Step 1314 involves programming the HOP for chronic delivery of selected electrical discharges, of defined frequency and
15 at specific locations within the hypothalamus, as determined in step 1313 to provide optimum appetite regulation.

Figure 36B schematically shows steps involved in a method for treating an obesity patient by chronic electrical stimulation of the hypothalamus of the patient by implantation in the hypothalamus of a pre-programmed chronic electrical stimulator,
20 according to another embodiment of the invention. Steps 1301 to 1313 of the method of Figure 36B are common to the method of Figure 36A as described above. Step 1315

involves pre-programming a chronic electrical stimulator for optimum clinical effectiveness in the patient, based on the results of step 1313. Lastly, step 1317 involves implanting the pre-programmed chronic electrical stimulator in an appropriate location within the hypothalamus of the patient.

5

EXAMPLE 1

METHOD OF PERFORMING MAGNETIC STEREOTACTIC PALLIDOTOMY

Introducer tube 101 is stereotactically inserted through a burr hole in the patient's skull such that the open distal end 107 of introducer tube 101 is positioned close to the lateral globus pallidus. A dual purpose multicontact electrode assembly 103 including a flexible electrode support shaft 137 having a magnetic tip 133 is inserted into introducer tube 101, such that magnetic tip 133 of support shaft 137 is approximately in a desired location within the patient's brain. The patient is brought to the magnetic surgery suite, and electrode support shaft 137 of electrode assembly 103 is magnetically pulled into the globus pallidus, generally along the long axis of the globus pallidus, along a preselected trajectory. Once electrode support shaft 137 is suitably positioned to occupy the desired volume within the globus pallidus, the patient is removed from the magnetic surgery suite and returned to the hospital ward. While on the ward, the physiological activity of a number of globus pallidus neurons is monitored using bipolar microelectrodes 135A. Based on the recordings of physiological activity thus obtained and on criteria of physiologically normal parameters, radio frequency lesions are made at the site of those

neurons targeted for inactivation, by energizing the appropriate macroelectrode(s) 139 with a lesion-producing electric current. The functional consequences of the newly-formed lesions are assessed on the ward by testing the patient prior to removal of electrode assembly 103 from the patient. If the results are satisfactory, the electrode assembly is removed. If it is desirable to monitor, and potentially lesion, additional neurons located within a different volume of the globus pallidus, electrode assembly 103 is retracted into introducer tube 101. The patient is returned to the magnetic surgery suite, and the process is repeated until a satisfactory result is achieved.

10

EXAMPLE 2

TARGETED DRUG DELIVERY FROM A DUAL PURPOSE

ELECTRODE ASSEMBLY FOR THE TREATMENT OF EPILEPSY

Introducer tube 101 is stereotactically inserted through a burr hole in the patient's skull such that the open distal end 107 of introducer tube 101 is positioned within the cerebral cortex. A dual purpose neuron-monitoring/drug delivery electrode assembly 103 including a flexible electrode support shaft 137 having a magnetic tip 133 is inserted into introducer tube 101, such that the magnetic tip 133 of support shaft 137 is approximately in a desired location within the patient's skull. The patient is brought to the magnetic surgery suite, and electrode support shaft 137 of electrode assembly 103 is magnetically manipulated until it occupies the desired position. Once electrode support shaft 137 is suitably positioned, the patient is removed from the magnetic surgery suite and taken to

20

the epilepsy monitoring unit, where the physiological activity of a number of neurons is monitored. Based on the recordings of physiological activity thus obtained and on criteria of physiologically normal parameters, a suitable dose of one or more therapeutic drugs is released from one or more selected drug delivery ports 141.

5 The functional consequences of drug treatment is assessed in the epilepsy monitoring unit by testing the patient prior to removal of dual purpose electrode assembly 103. If the results are satisfactory, electrode assembly 103 is removed from the patient. If it is desirable to monitor, and potentially administer a therapeutic drug to, one or more different regions of the cerebral cortex, electrode assembly 103 is retracted into
10 introducer tube 101. The patient is then returned to the magnetic surgery suite, and the process is repeated until a satisfactory result is achieved.

As will be apparent to the skilled artisan, the apparatus of the instant invention is particularly suited to performing surgery on the brain, in general, and may be used effectively for performing other medical procedures, including but not limited to,
15 thalamotomy, controlled lesioning to treat epilepsy, and targeted delivery of therapeutic drugs.

EXAMPLE 3

METHOD FOR TREATING OBESITY BY HYPOTHALAMIC ELECTRO-STIMULATION

20 A burr hole is strategically placed in the patient's cranium for the purpose of stereotactic placement of a macrocatheter of the hypothalamic obesity probe apparatus

in a zone of the patient's brain adjacent to the hypothalamus. An introducer tube is stereotactically inserted through the burr hole. The macrocatheter, which includes a magnetic collar affixed at the distal end of the macrocatheter, is inserted into the introducer tube. The patient is transferred to the magnetic surgery suite, and the

5 magnetically equipped macrocatheter is magnetically manipulated such that it is positioned adjacent to the hypothalamus. (At this point the patient may be removed from the magnetic surgery suite). At least one electrode support shaft bearing a plurality of stimulation electrodes is introduced from the macrocatheter into a first region of the hypothalamus. Because the plurality of stimulation electrodes are arranged longitudinally

10 on the at least one electrode support shaft, each of the plurality of stimulation electrodes occupies a distinct position within the hypothalamus. Each of the plurality of stimulation electrodes is capable of being independently controlled, i.e. each of the plurality of stimulation electrodes is capable of independently outputting electrical discharges over a range of frequencies. Following implantation of at least one electrode

15 support shaft into the hypothalamus, the patient is transferred to the ward for electrical stimulation trials. Electrical discharges of relatively high or low frequency are delivered independently from selected members of the plurality of stimulation electrodes, and the clinical effects are observed. The specific contacts or stimulation electrodes from which electrical discharges are delivered, and the frequencies of the electrical discharges, are

20 varied in order to determine which combination(s) of stimulation electrodes/electrical discharge frequency provide a desired or optimal clinical effect. That is to say, the effects

on appetite suppression of electrical stimulation of neurons at a set of locations within the hypothalamus by electrical discharges of specific frequency/frequencies delivered from a corresponding set of stimulation electrodes are observed and recorded. Such observations are made initially over a period of a few hours, and subsequently over a
5 period of several days, as necessary. If the clinical effects observed are deemed unsatisfactory by the physician, a different combination of stimulation electrodes/electrical discharge frequency may be used. That is to say, specific sets of neurons of the hypothalamus are stimulated by electrical discharges of different frequency/frequencies and/or by electrical discharges from different stimulation
10 electrodes of the at least one electrode support shaft, and the effects on appetite suppression are again observed and recorded.

Once the clinical effects of hypothalamic electrical stimulation are deemed satisfactory by the physician, the hypothalamic obesity probe may be programmed to provide chronic electrical discharges from those stimulation electrodes and at those
15 frequencies observed to provide a satisfactory clinical effect.

EXAMPLE 4

METHOD FOR TREATING OBESITY BY

HYPOTHALAMIC, SITE-SPECIFIC DRUG MICROINFUSION

20 A magnetically tipped first macrocatheter, which houses at least one microinfusion catheter, is inserted into a zone of the patient's brain adjacent to the hypothalamus,

generally as described above for EXAMPLE 3. At least one microinfusion catheter, bearing a plurality of independently controllable drug delivery ports, is introduced into the hypothalamus. The clinical effects of various sequentially-administered drug delivery regimens are monitored; each regimen including a given dosage of a drug delivered from specific members of the plurality of drug delivery ports. The clinical effects of a given drug treatment regimen may be monitored over a period of hours or days. In this way it is possible to define one or more regions of the hypothalamus that is involved in appetite regulation, the one or more regions so defined corresponding to a set of the plurality of drug delivery ports.

The at least one microinfusion catheter is coupled to a miniature surgical drug reservoir/pump via surgical tubing using materials and methods well known in the art. The reservoir/pump is secured to the patient's cranium beneath the scalp, and the reservoir/pump is activated to pump a drug, known to regulate appetite when delivered within the hypothalamus, from a defined set of the plurality of drug delivery ports. The rate at which the reservoir/pump pumps a drug may be adjusted empirically in order to obtain the optimum clinical effect.

The Risk Benefit Ratio

i. Neural prosthesis risk/benefit

The clinical usefulness of an auditory neural prosthetic device depends on several variables, most importantly the risk-benefit ratio for a given device. An ideal device

effectively restores hearing without risk to the patient's overall health. Salient features of two types of devices are outlined below.

Since primary auditory cortex 150 is situated in temporal lobe 156, neurosurgeons expose this portion of the brain routinely during a wide range of operations. In the non-dominant temporal lobe, unlike the brainstem, the auditory region is not surrounded by vital structures. If a patient is diagnosed with an infiltrating tumor of the non-dominant auditory cortex, for example, the neurosurgeon can resect this tissue with very little risk of complication.

Another example is temporal lobe surgery for intractable epilepsy. Most patients who undergo this surgery are in good general health but suffer from seizures periodically. Usually, chronic epilepsy is not a life threatening condition, and many patients have seizures for decades during which time they are able to work and raise families.

Since most forms of epilepsy are medically "tolerable," surgical treatment directed at curing epilepsy is only justified when it is highly effective and carries with it very low risk of morbidity and mortality. A properly selected patient in good general health has less than a one percent chance of developing a significant neurologic complication following an elective non-dominant temporal lobectomy for intractable epilepsy, and a 70 percent chance of being cured of their seizures. In that setting, the risk/benefit ratio is strongly in the patient's favor. An operation designed exclusively to place a stimulating neural prosthetic electrode onto non-dominant auditory cortex could be carried out

under local anesthesia and take less than two hours operating time. This procedure would entail even less medical risk than a standard epilepsy resection.

ii. Magnetic pallidotomy risk/benefit

5 Compared with prior art stereotactic pallidotomy, magnetic pallidotomy according to the instant invention has, in theory, less risk and greater benefit to the patient, for the following reasons. Because of the ability of the electrode support shaft to be directed to occupy a specific conformation within the target tissue and the presence of a plurality of neuron-monitoring microelectrodes, a target volume of the globus pallidus can be accessed, and neurons from a number of sites within that target volume
10 can be monitored with a single pass through the brain. In contrast, neuron-monitoring electrodes of the prior art would need to be passed through the brain a number of times to access an equivalent volume of target tissue.

Secondly, by combining the functions of neuron-monitoring and lesion-production in a single dual purpose electrode assembly, according to the invention, the need for
15 replacing a neuron-monitoring electrode support with a lesion-producing electrode support is eliminated, and consequently the risk of error in electrode support misplacement is also eliminated.

Furthermore, the safety and efficacy of pallidotomy is strongly influenced by the ability to effectively monitor and assess brain tissue being considered for inactivation.
20 The ability to monitor a number of neurons over an extended period of time, on the ward, allows for the gathering of more precise information on the physiologic status of

each neuron, and a more informed decision to be made on which regions of the tissue are to be targeted for lesion production.

iii. HOP risk/benefit

5 One potential or apparent drawback to use of the HOP in obesity treatment may be the public perception of stereotactic probe placement within the brain as a high risk procedure. In reality, statistics indicate that electrode implantation within the human brain is a low risk procedure. Therefore, the risks of mortality and morbidity associated with morbid obesity probably greatly exceed those associated with electrode implantation. On this basis, the use of the HOP for the treatment of morbid obesity can
10 be justified as having a low risk/benefit ratio.

The foregoing embodiments are merely exemplary and are not to be construed as limiting the present invention. The present teaching can be readily applied to other types of apparatuses. The description of the present invention is intended to be illustrative, and not to limit the scope of the claims. Many alternatives, modifications, and variations will
15 be apparent to those skilled in the art.

WHAT IS CLAIMED IS:

1. A stimulation trials hypothalamic obesity probe for stereotactic placement in the hypothalamus of a patient, comprising:
 - at least one electrode support shaft, each of said at least one electrode support shafts having a plurality of stimulation electrodes, each of said plurality of stimulation electrodes electrically coupled to an electrical stimulation device for
5 transmitting electrical signals to each of said plurality of stimulation electrodes, and each of said plurality of stimulation electrodes capable of independently outputting electrical discharges to the hypothalamus; and
 - a macrocatheter for housing said at least one electrode support shaft, said
10 macrocatheter including a magnetic unit for magnetic stereotactic placement of said macrocatheter to a location adjacent to the hypothalamus.

2. The stimulation trials hypothalamic obesity probe as claimed in claim 1, wherein said macrocatheter includes a magnetic unit located at the distal end of said macrocatheter.

3. The stimulation trials hypothalamic obesity probe as claimed in claim 1, wherein said at least one electrode support shaft comprises a plurality of electrode support shafts such that said hypothalamic obesity probe is capable of mapping the hypothalamus of an obesity patient following a single surgical procedure.

4. The stimulation trials hypothalamic obesity probe as claimed in claim 1, wherein each of said plurality of stimulation electrodes functions as a monopolar stimulation electrode.

5. The stimulation trials hypothalamic obesity probe as claimed in claim 1, wherein each of said plurality of stimulation electrodes functions as a bipolar stimulation electrode.

6. The stimulation trials hypothalamic obesity probe as claimed in claim 1, wherein each of said plurality of stimulation electrodes is capable of independently outputting electrical discharges of low frequency and each of said plurality of stimulation electrodes is further capable of independently outputting electrical discharges of high
5 frequency.

7. The stimulation trials hypothalamic obesity probe as claimed in claim 1, wherein each of said plurality of stimulation electrodes is capable of independently outputting electrical discharges over a frequency range of from about 10 Hz to about 400 Hz.

8. A drug infusion assembly for microinfusing a drug into the hypothalamus, comprising:

at least one microinfusion catheter, each of said at least one microinfusion catheters for placement in the hypothalamus, each of said at least one microinfusion catheters having a plurality of drug delivery ports, each of said plurality of drug delivery ports for delivering a drug to a separate site within the hypothalamus, and each of said plurality of drug delivery ports capable of independent control;

a macrocatheter for housing said at least one microinfusion catheter;

a drug delivery manifold, each of said at least one microinfusion catheters functionally coupled to said drug delivery manifold;

a drug supply line functionally coupled to said drug delivery manifold; and

a drug reservoir/pump for retaining and pumping a drug, said drug reservoir/pump functionally coupled to said drug supply line.

9. The drug infusion assembly as claimed in claim 8, wherein said macrocatheter includes a magnetic unit, said magnetic unit for stereotactic placement of said macrocatheter to a specific location within the brain.
10. The drug infusion assembly as claimed in claim 8, wherein said macrocatheter includes a magnet located at the distal end of said macrocatheter.
11. The drug infusion assembly as claimed in claim 8, wherein said at least one microinfusion catheter comprises a plurality of microinfusion catheters.
12. The drug infusion assembly as claimed in claim 8, wherein said drug reservoir/pump is capable of pumping a drug at a variable rate.
13. The drug infusion assembly as claimed in claim 8, wherein said drug reservoir/pump is capable of pumping a drug at a variable rate, and the variable rate can be controlled percutaneously by a radio control unit.
14. The drug infusion assembly as claimed in claim 8, wherein said drug reservoir/pump includes a recharge valve for recharging said drug reservoir/pump with a drug.

15. The drug infusion assembly as claimed in claim 14, wherein said recharge valve is accessible percutaneously.

16. A method for treating an obesity patient by outputting electrical discharges from a hypothalamic obesity probe to selected portions of the patient's hypothalamus, comprising the steps of:

- a) obtaining a three dimensional digital image of the patient's brain, the image showing the position of the hypothalamus;
- b) inserting a macrocatheter adjacent to the hypothalamus;
- c) inserting at least one electrode support shaft into the hypothalamus, wherein the at least one electrode support shaft bears a plurality of stimulation electrodes, the plurality of stimulation electrodes arranged longitudinally, and each of the plurality of stimulation electrodes being capable of independent control;
- d) outputting electrical discharges from at least one of the plurality of stimulation electrodes, thereby stimulating at least one neuron in the hypothalamus;
- e) monitoring the clinical effect or clinical effects of said step d) in order to determine those particular stimulation electrodes of the plurality of stimulation electrodes which will provide a clinically useful effect; and
- f) delivering electrical discharges from those particular stimulation electrodes of the plurality of stimulation electrodes determined in said step e) to provide a clinically useful effect.

17. The method for treating an obesity patient as claimed in claim 16, wherein
20 said step b) comprises introducing the macrocatheter via an introducer tube through a
burr hole formed in the patient's cranium, and said step b) further comprises magnetic
stereotactic placement of the macrocatheter adjacent to the hypothalamus, the magnetic
stereotactic placement under computer control.

18. The method for treating an obesity patient as claimed in claim 16, wherein
said step c) comprises inserting a plurality of electrode support shafts within the
hypothalamus, each of the plurality of electrode support shafts bearing a plurality of
longitudinally arranged stimulation electrodes, whereby a multitude of target areas of the
5 hypothalamus can be sampled following a single surgical procedure.

19. The method for treating an obesity patient as claimed in claim 16, wherein
said step f) comprises delivering electrical discharges from a hypothalamic obesity probe
which is programmable for the chronic output of suitable electrical discharges from those
particular stimulation electrodes determined to provide a clinically useful effect.

20. The method for treating an obesity patient as claimed in claim 16, wherein
the electrical discharges outputted in said step d) and the electrical discharges delivered
in said step f) have a frequency ranging from about 10 Hz to about 400 Hz.

21. The method for treating an obesity patient, as claimed in claim 16, wherein said step c) comprises inserting at least one electrode support shaft into the hypothalamus, wherein the at least one electrode support shaft bears a plurality of longitudinally arranged stimulation electrodes, each of the plurality of stimulation electrodes being a
5 monopolar stimulation electrode or a bipolar stimulation electrode.

22. A method for treating an obesity patient by microinfusing a drug into one or more selected portions of the hypothalamus of a patient, comprising the steps of:

- a) obtaining an image of the hypothalamus of the patient;
- b) inserting a macrocatheter into the patient's brain adjacent to the
5 hypothalamus, the macrocatheter housing at least one microinfusion catheter, and each of the at least one microinfusion catheters including a plurality of independently controllable drug delivery ports;
- c) inserting the at least one microinfusion catheter into the hypothalamus;
- d) sequentially infusing a drug from various members of the plurality of drug
10 delivery ports on the at least one microinfusion catheter into corresponding sites of the hypothalamus proximate the various members of the plurality of delivery ports;
- e) monitoring the clinical effect of said step d) in order to determine which of the various members of the plurality of drug delivery ports will provide a useful clinical result; and

15 f) delivering a drug from those selected members of the plurality of drug delivery ports determined in said step e) to provide a useful clinical result.

23. The method for treating an obesity patient according to claim 22, wherein said step b) comprises inserting the macrocatheter via an introducer tube inserted into a burr hole in the patient's cranium.

24. A method for treating an obesity patient by electrical stimulation of the hypothalamus of the patient, comprising the steps of:

a) providing a three dimensional digital image of the patient's brain in order to indicate the precise location of the hypothalamus;

5 b) forming a burr hole at an appropriate location in the patient's cranium;

c) inserting an introducer tube into the burr hole;

d) introducing a macrocatheter into the introducer tube, wherein the macrocatheter includes at least one electrode support shaft having a plurality of stimulation electrodes, the plurality of stimulation electrodes arranged longitudinally on the at least one electrode support shaft;

10

e) inserting the macrocatheter in a zone of the patient's brain adjacent to the hypothalamus;

f) inserting the at least one electrode support shaft into the hypothalamus;

- 15 g) electrically stimulating at least one neuron in the hypothalamus by means of electrical discharges outputted from one or more of the plurality of stimulation electrodes;
- h) monitoring the clinical effect of step g) to define regions of the hypothalamus which will provide a desired clinical result when electrical discharges are outputted thereto; and
- 20 i) outputting electrical discharges to regions of the hypothalamus defined in said step h).

25. The method for treating an obesity patient as claimed in claim 24, wherein said step e) comprises inserting a macrocatheter having a magnetic unit secured to the distal end thereof.

26. The method for treating an obesity patient as claimed in claim 24, wherein said step e) comprises magnetic stereotactic placement of the macrocatheter in a zone of the patient's brain adjacent to the hypothalamus, and the magnetic stereotactic placement of the macrocatheter is performed under computer control.

27. A method for treating an obesity patient by chronic electrical stimulation of the hypothalamus of the patient, comprising the steps of:

- a) obtaining a three dimensional digital image of a patient's brain showing the location of the hypothalamus;
- 5 b) inserting a macrocatheter into a zone of the patient's brain adjacent to the hypothalamus, wherein the macrocatheter houses at least one electrode support shaft, and each of the at least one electrode support shafts has a plurality of stimulation electrodes, and each of the plurality of stimulation electrodes is capable of independently outputting electrical discharges of various frequencies;
- 10 c) inserting the at least one electrode support shaft into the hypothalamus of the patient;
- d) delivering electrical discharges of various frequencies from a first set of the plurality of stimulation electrodes to a first set of neurons within the hypothalamus;
- e) delivering electrical discharges of various frequencies from at least one
15 further set of the plurality of stimulation electrodes to at least one further set of neurons within the hypothalamus;
- f) monitoring the clinical effects of said steps d) and e) on appetite regulation by the patient, in order to determine the clinical effects of various combinations of electrical discharge frequency/location of stimulation electrodes;

20 g) optimizing the electrical discharges delivered to the neurons within the hypothalamus, according to steps d) and e), to provide optimum appetite regulation by the patient; and

 h) programming the hypothalamic obesity probe for chronic delivery of electrical discharges of defined frequency and at specific locations within the
25 hypothalamus, as determined in step g), to provide optimum appetite regulation by the patient.

28. The method for treating an obesity patient according to claim 27, wherein each of the plurality of stimulation electrodes is capable of independently outputting electrical discharges of various frequencies.

29. The method for treating an obesity patient according to claim 27, wherein each of the plurality of stimulation electrodes is capable of independently outputting electrical discharges at any given frequency over the range of from about 10 Hz to about 400 Hz.

30. The method for treating an obesity patient according to claim 27, wherein said step g) includes optimizing both the frequency of the electrical discharges over a frequency range from about 10 Hz to about 400 Hz, and the first set or the at least one

further set of the plurality of stimulation electrodes from which the electrical discharges are outputted.

31. The method for treating an obesity patient according to claim 27, wherein the first set and the at least one further set of the plurality of stimulation electrodes from which the electrical discharges are outputted each correspond to specific regions within the hypothalamus.

32. A method for electrically stimulating the hypothalamus of an obesity patient, comprising the steps of:

a) obtaining a three dimensional image of a patient's brain, the three dimensional image showing the location of the hypothalamus;

5 b) inserting a macrocatheter into a zone of the patient's brain, wherein the zone is adjacent to the hypothalamus, wherein the macrocatheter houses at least one electrode support shaft, each of the at least one electrode support shafts having a plurality of stimulation electrodes, and each of the plurality of stimulation electrodes capable of independently outputting electrical discharges, the electrical discharges of low frequency
10 or of high frequency;

c) inserting the at least one electrode support shaft into a selected first region of the hypothalamus;

- 15 d) stimulating, by means of electrical discharges outputted from the plurality of stimulation electrodes, neurons in the selected first region of the hypothalamus; and
- e) monitoring clinical effects of said step d).

33. A method for treating an obesity patient by placing a chronic electrical stimulator into the hypothalamus of the patient, comprising the steps of:

- 5 a) obtaining a three dimensional image of a patient's brain, the three dimensional image showing the location of the hypothalamus;
- b) inserting a macrocatheter into a zone of the patient's brain, wherein the zone is adjacent to the hypothalamus, wherein the macrocatheter houses at least one electrode support shaft, each of the at least one electrode support shafts having a plurality of stimulation electrodes, and each of the plurality of stimulation electrodes capable of independently outputting electrical discharges, the electrical discharges of low frequency or of high frequency;
- 10 c) inserting the at least one electrode support shaft into a selected first region of the hypothalamus;
- d) stimulating, by means of electrical discharges outputted from the plurality of stimulation electrodes, neurons in the selected first region of the hypothalamus;
- 15 e) monitoring clinical effects of said step d);

- f) after said step e), reinserting the at least one electrode support shaft into a selected additional region of the hypothalamus;
- g) stimulating, by means of electrical discharges outputted from the plurality of stimulation electrodes, neurons in the selected additional region of the hypothalamus;
- h) monitoring clinical effects of said step g);
- i) repeating steps f) through h) until a satisfactory clinical effect is obtained; and
- j) implanting the chronic electrical stimulator in an appropriate region of the hypothalamus.

34. The method for treating an obesity patient by placing a chronic electrical stimulator into the hypothalamus of the patient as claimed in claim 33, wherein said step j) comprises implanting in an appropriate region of the hypothalamus a chronic electrical stimulator which has been programmed to duplicate the satisfactory clinical effect as obtained in said step i).

35. A method for treating an obesity patient by infusion of a drug from a drug infusion assembly into the hypothalamus of the patient, the method comprising the steps of:

- 5 a) obtaining a three dimensional image of a patient's brain, the three dimensional image showing the location of the hypothalamus;
- b) inserting a macrocatheter into a zone of the patient's brain, wherein the zone is adjacent to the hypothalamus, wherein the macrocatheter houses at least one microinfusion catheter, each of the at least one microinfusion catheters having a plurality of drug delivery ports, and each of the plurality of drug delivery ports capable of independently outputting a drug, the drug capable of activating or deactivating neurons
10 in one or more regions of the hypothalamus;
- c) inserting the at least one microinfusion catheter into a selected first region of the hypothalamus;
- d) infusing a quantity of a drug from at least one of the plurality of drug
15 delivery ports to at least one neuron of the selected first region of the hypothalamus; and
- e) monitoring clinical effects of said step d).

36. The method for treating an obesity patient as claimed in claim 35, further comprising the steps of:

- f) after said step e), reinserting the at least one microinfusion catheter into a selected additional region of the hypothalamus;
- 5 g) infusing a quantity of the drug from at least one of the plurality of drug delivery ports to at least one neuron of the selected additional region of the hypothalamus;

- h) monitoring clinical effects of said step g); and
 - i) repeating steps f) through h) until a satisfactory clinical effect is
- 10 obtained.

37. The method for treating an obesity patient as claimed in claim 36, wherein said step g) comprises adjusting the amount of drug infused from the at least one of the plurality of drug delivery ports.

38. A method for treating an obesity patient by infusion of a drug from a drug infusion assembly into the hypothalamus of the patient, the method comprising the steps of:

- a) obtaining a three dimensional image of a patient's brain, the three
- 5 dimensional image showing the location of the hypothalamus;
- b) forming a burr hole at an appropriate location in the patient's
- cranium;
- c) inserting an introducer tube into the burr hole;
 - d) introducing a macrocatheter into the introducer tube;
- 10 e) under magnetic stereotactic computerized control, inserting the macrocatheter into a zone of the patient's brain, wherein the zone is adjacent to the hypothalamus, wherein the macrocatheter houses at least one microinfusion catheter, each of the at least one microinfusion catheters having a plurality of drug delivery ports,

and each of the plurality of drug delivery ports capable of independently outputting a
15 drug, the drug capable of activating or deactivating neurons in one or more regions of the
hypothalamus;

f) inserting the at least one microinfusion catheter into a selected first
region of the hypothalamus;

g) infusing a quantity of a drug from at least one of the plurality of drug
20 delivery ports to at least one neuron of the selected first region of the hypothalamus; and

h) monitoring clinical effects of said step g);

i) after said step h), reinserting the at least one microinfusion catheter
into a selected additional region of the hypothalamus;

j) infusing a quantity of the drug from at least one of the plurality of
25 drug delivery ports to at least one neuron of the selected additional region of the
hypothalamus;

k) monitoring clinical effects of said step j)); and

l) repeating steps i) through k) until a satisfactory clinical effect is
obtained.

30

39. A method for treating an obesity patient by chronic electrical stimulation
of the hypothalamus of the patient, the method comprising the steps of:

a) obtaining a three dimensional digital image of a patient's brain, the
three dimensional image showing the location of the hypothalamus;

- 35 b) inserting a macrocatheter into a zone of the patient's brain adjacent to the hypothalamus, wherein the macrocatheter houses at least one electrode support shaft, each of the at least one electrode support shafts having a plurality of stimulation electrodes, and each of the plurality of stimulation electrodes capable of independently outputting electrical discharges of various frequencies;
- 40 c) inserting the at least one electrode support shaft into the hypothalamus;
- d) delivering electrical discharges of various frequencies from a first set of the plurality of stimulation electrodes to a first set of neurons within the hypothalamus;
- 45 e) delivering electrical discharges of various frequencies from at least one further set of the plurality of stimulation electrodes to at least one further set of neurons within the hypothalamus;
- f) monitoring clinical effects of said steps d) and e) on appetite regulation by the patient;
- 50 g) based on said steps d), e), and f), optimizing the electrical discharges delivered to the neurons within the hypothalamus for optimum appetite regulation;
- h) based on said step g), pre-programming a chronic electrical stimulator for optimum clinical effectiveness in the patient; and
- i) implanting the pre-programmed chronic electrical stimulator in the
- 55 hypothalamus of the patient.

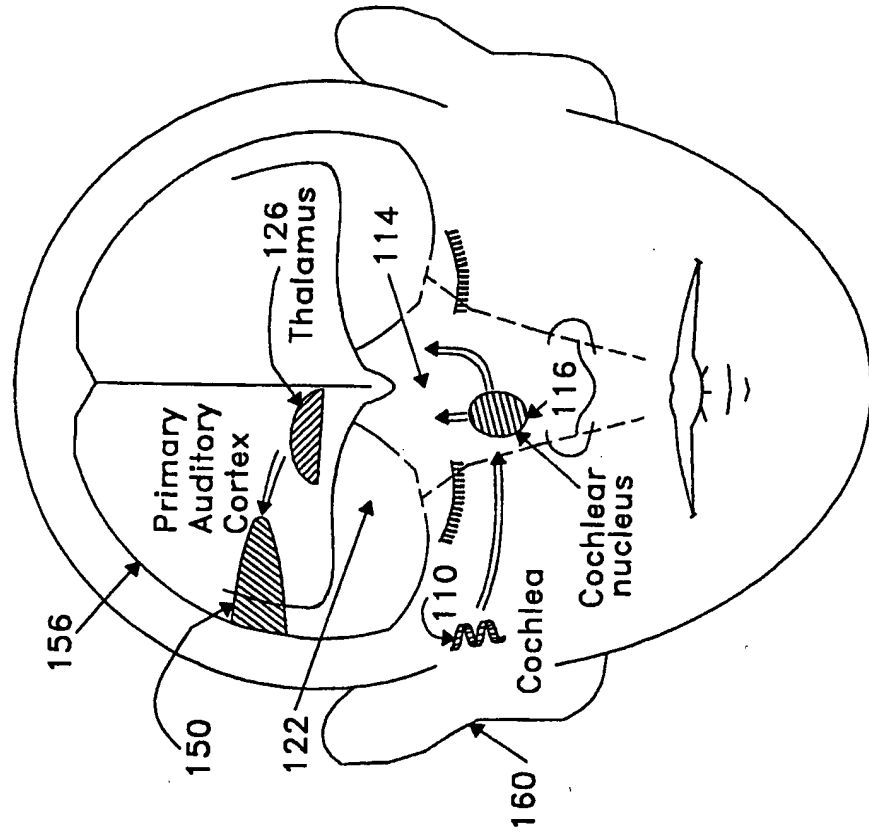


FIG. 1A

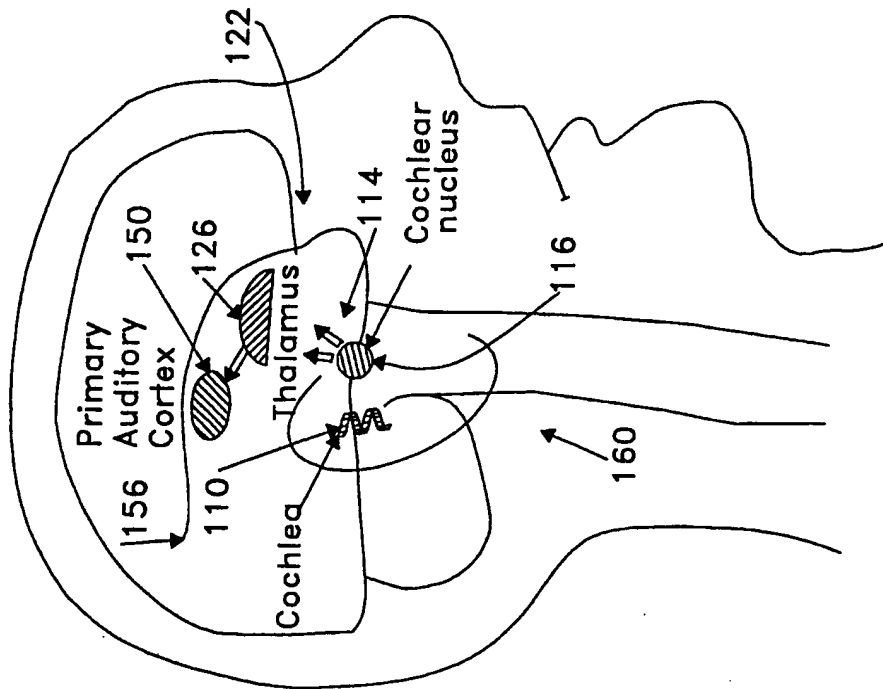


FIG. 1B

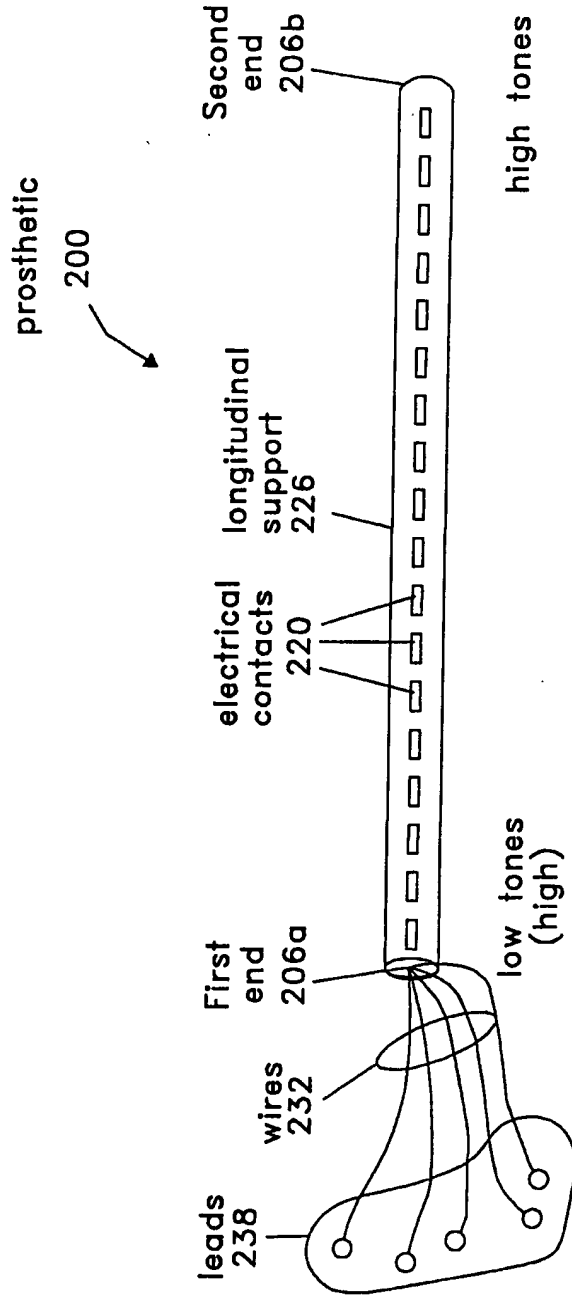


FIG. 2

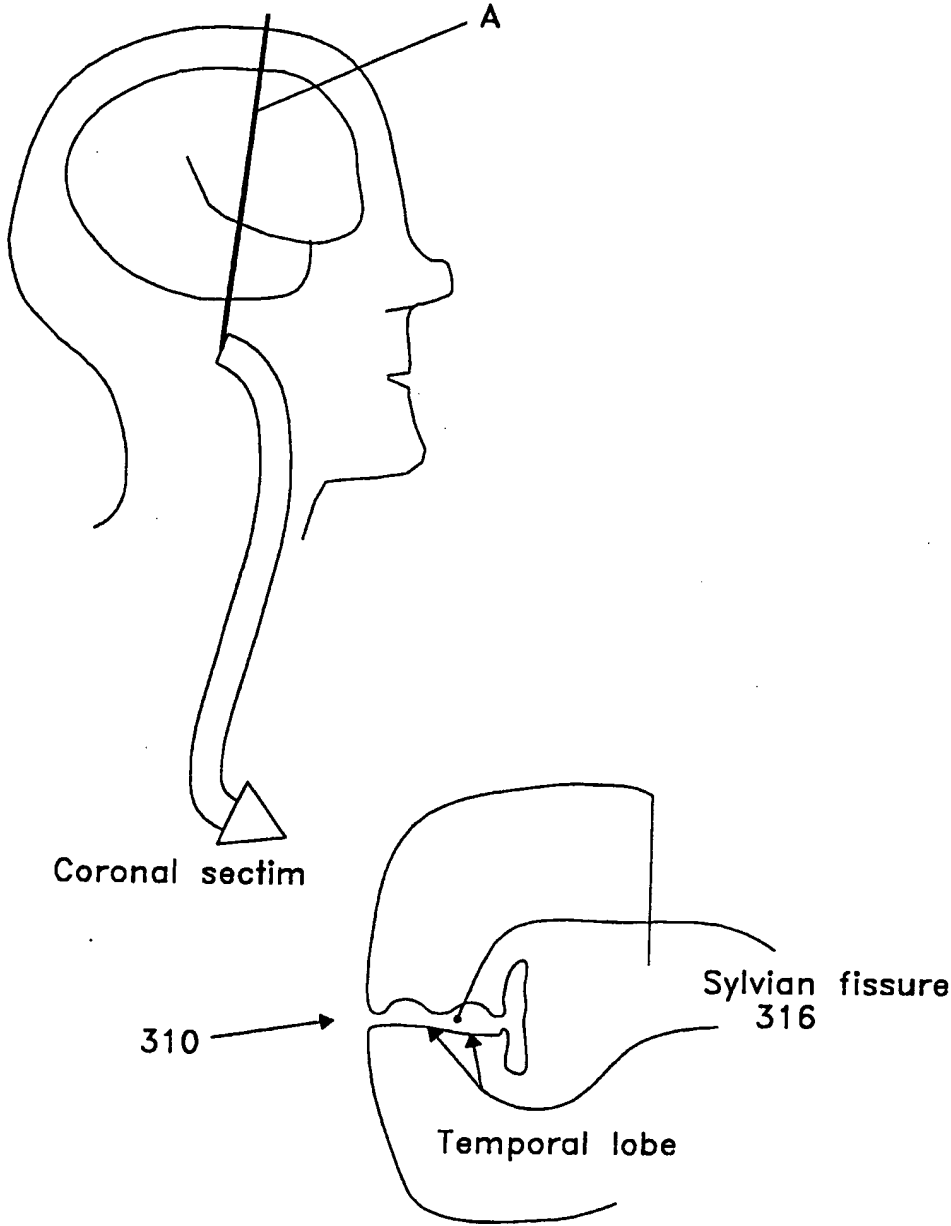


FIG. 3A

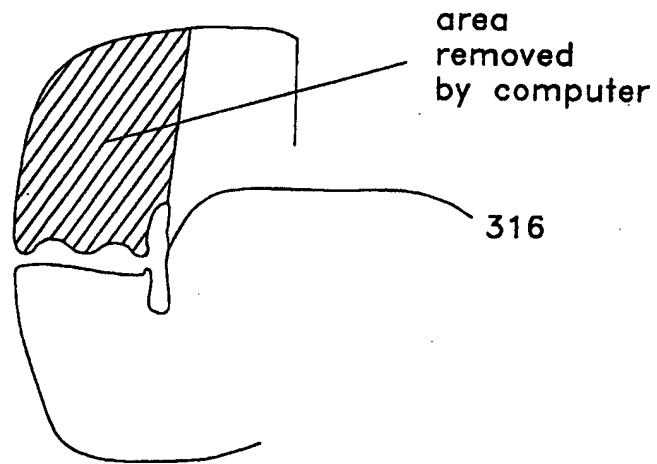


FIG. 3B

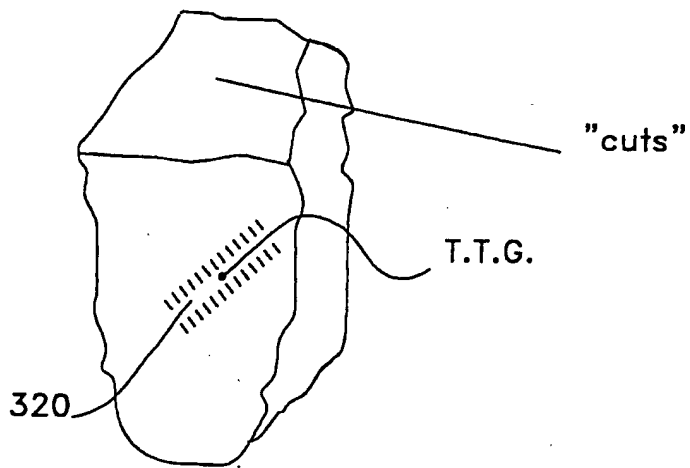


FIG. 3C

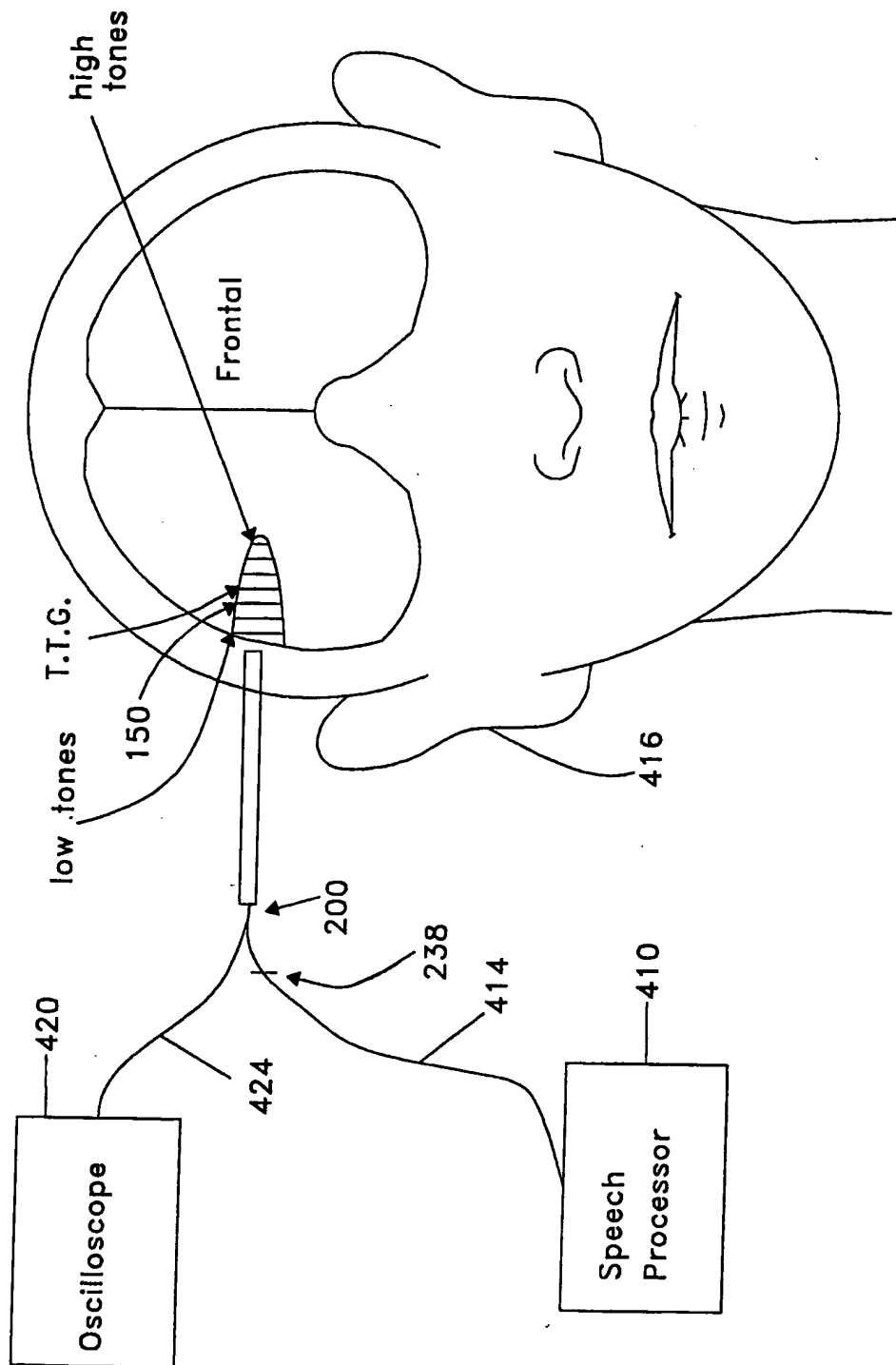


FIG. 4

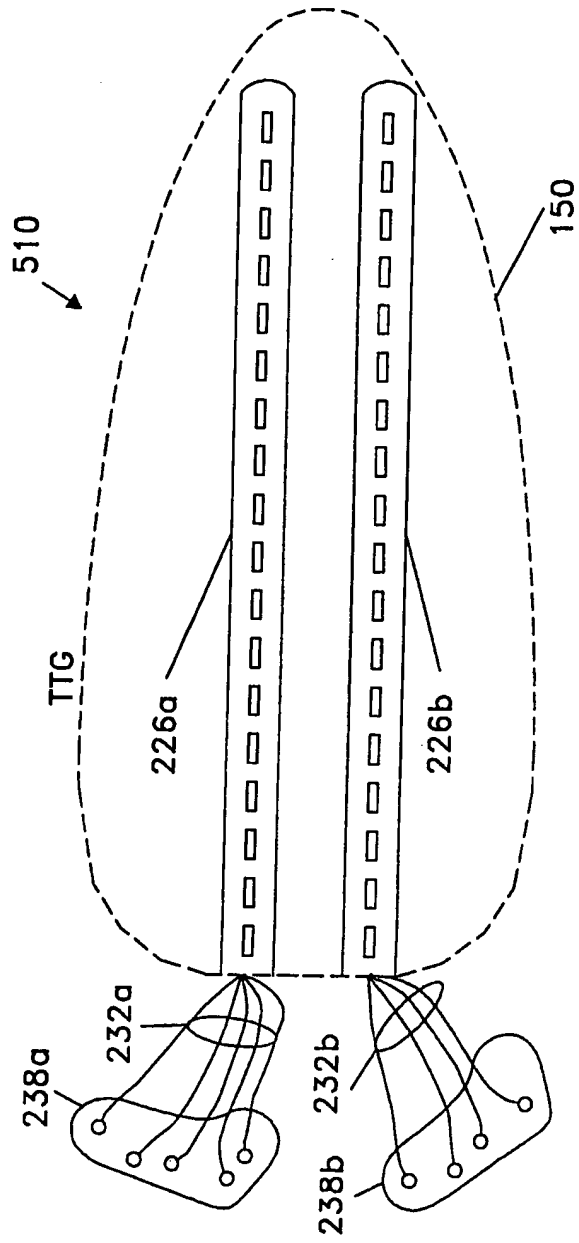


FIG. 5

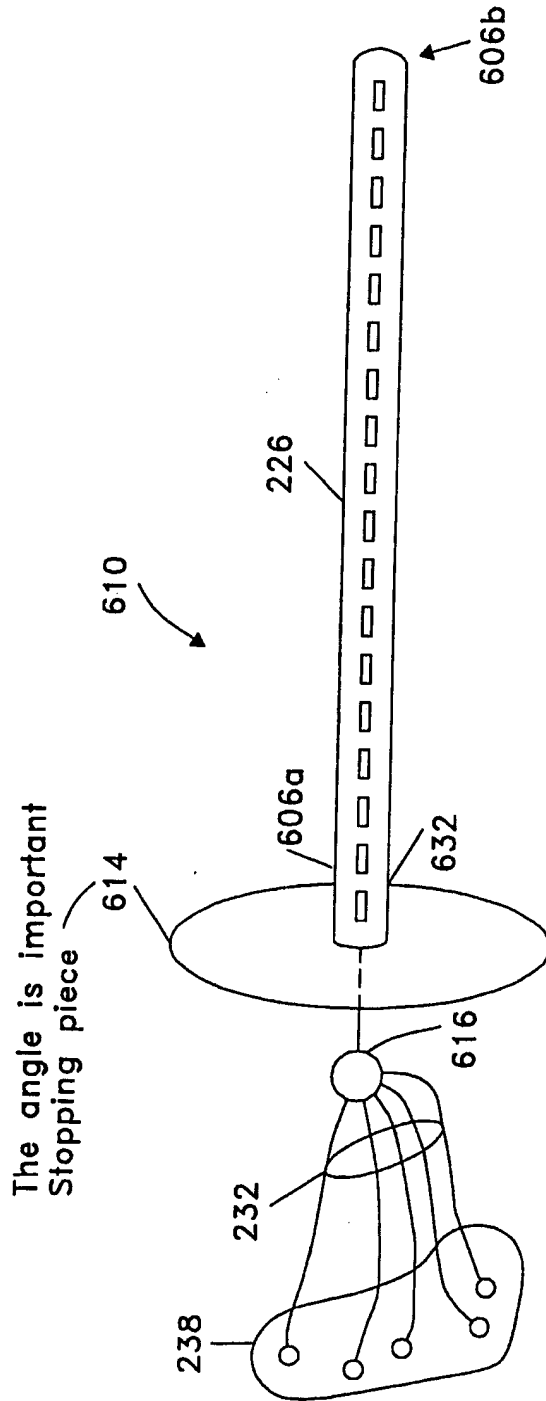


FIG. 6

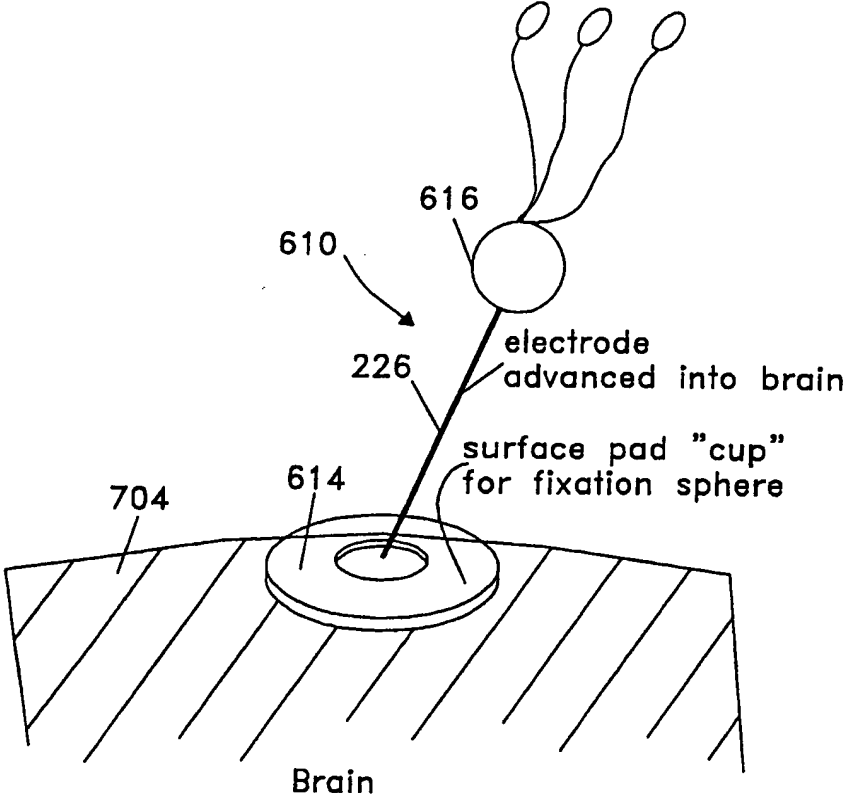


FIG. 7A

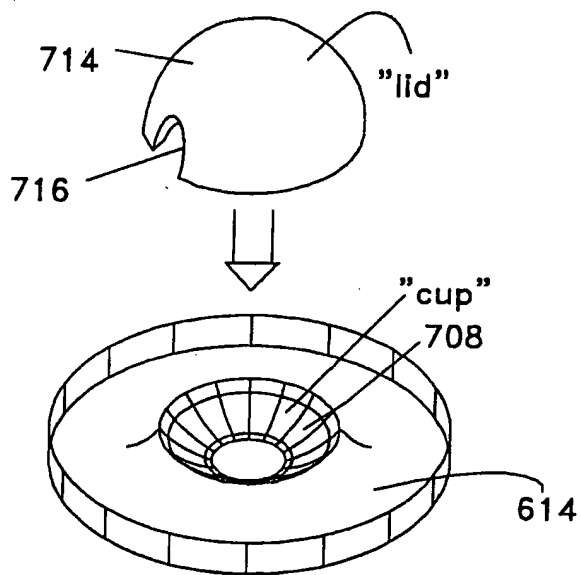


FIG. 7B

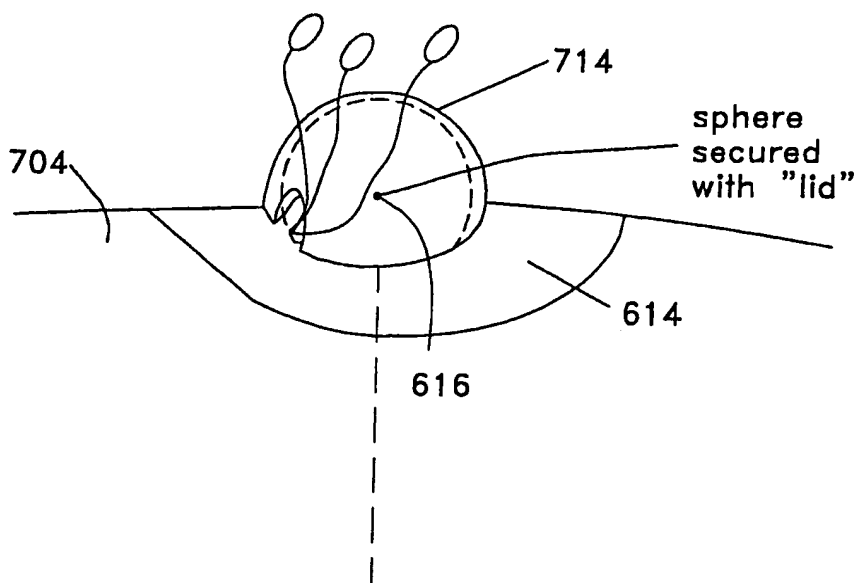


FIG. 7C

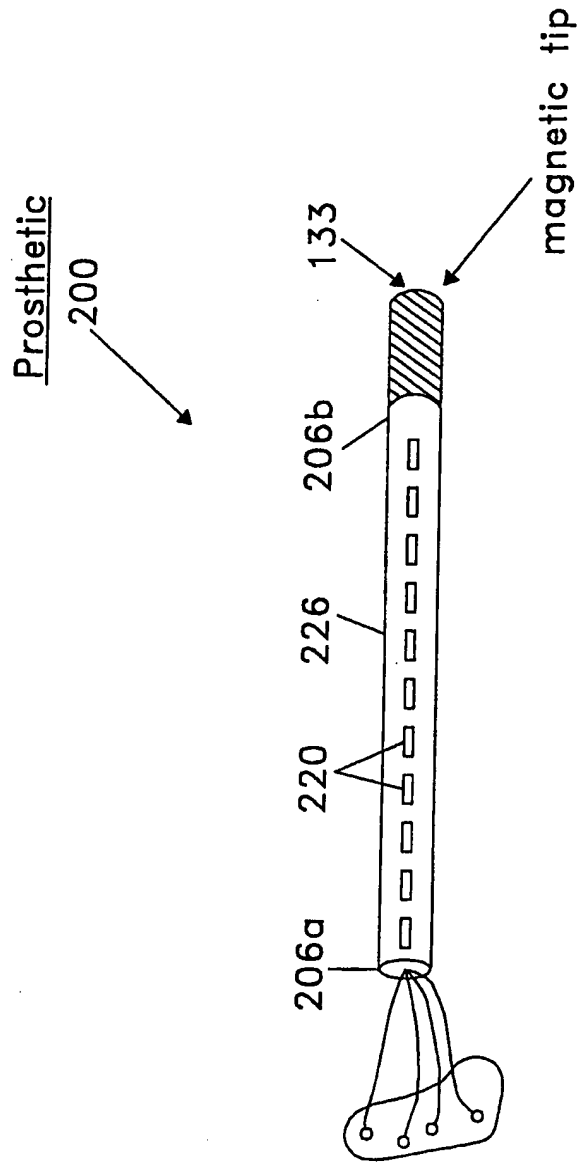


FIG. 8

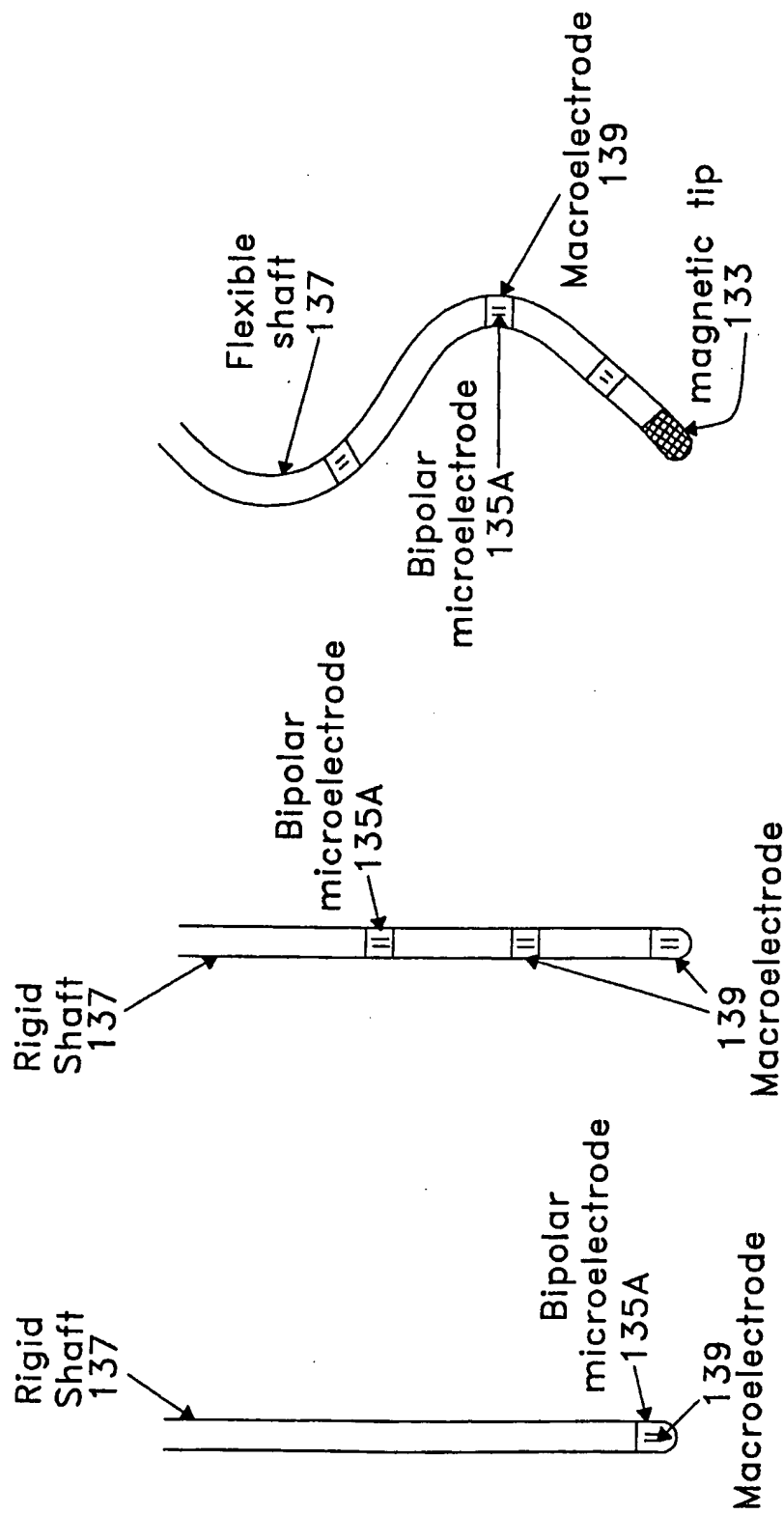


FIG. 9A

FIG. 9B

FIG. 9C

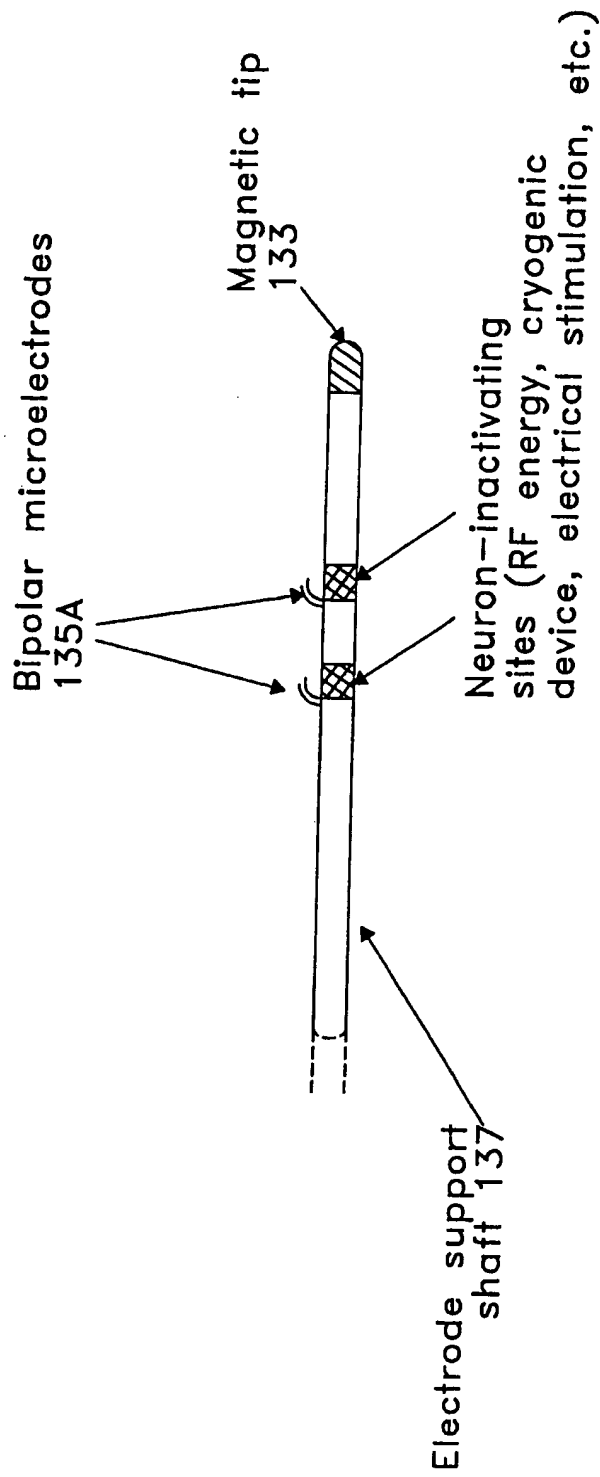


FIG. 10

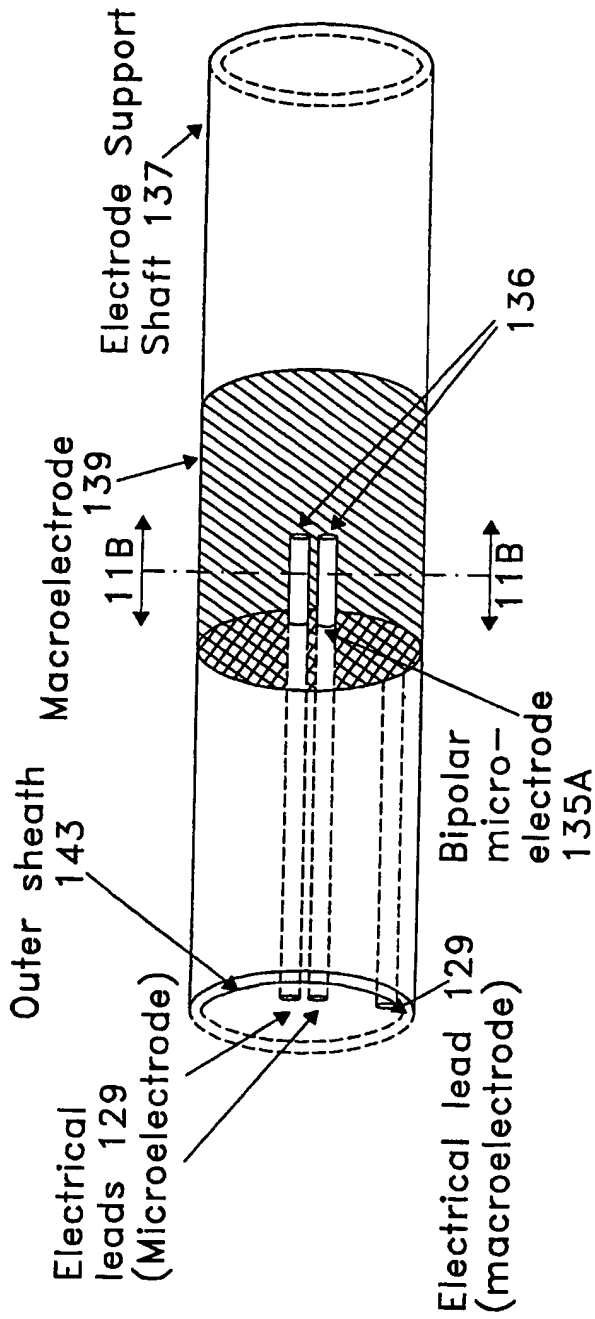


FIG. 11A

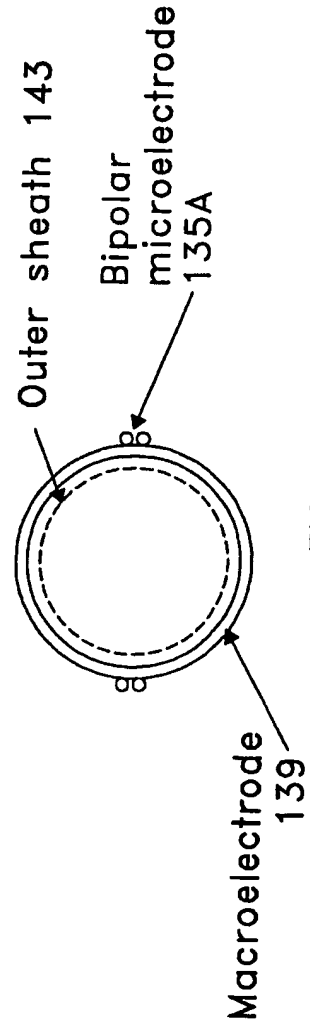


FIG. 11B

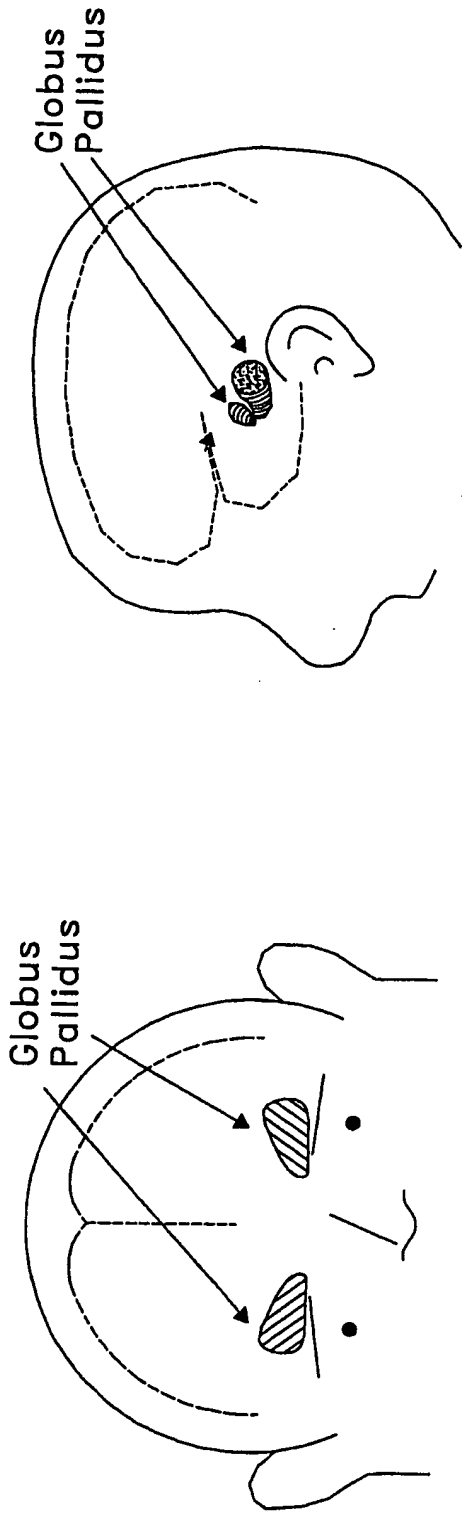


FIG. 12A

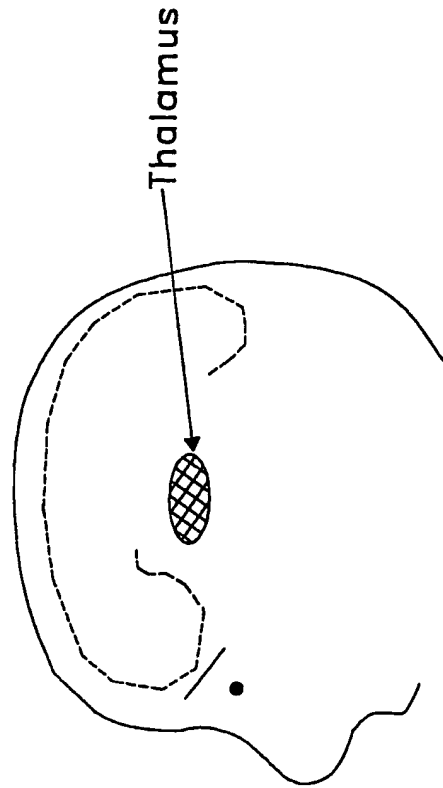


FIG. 12B

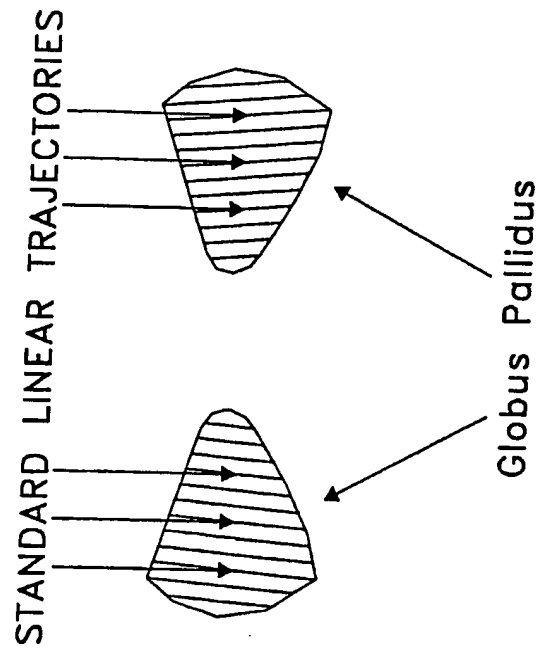


FIG. 12C

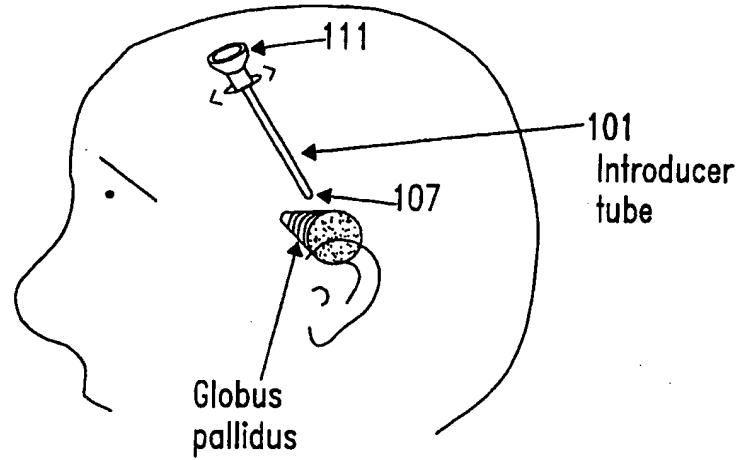


FIG. 13A

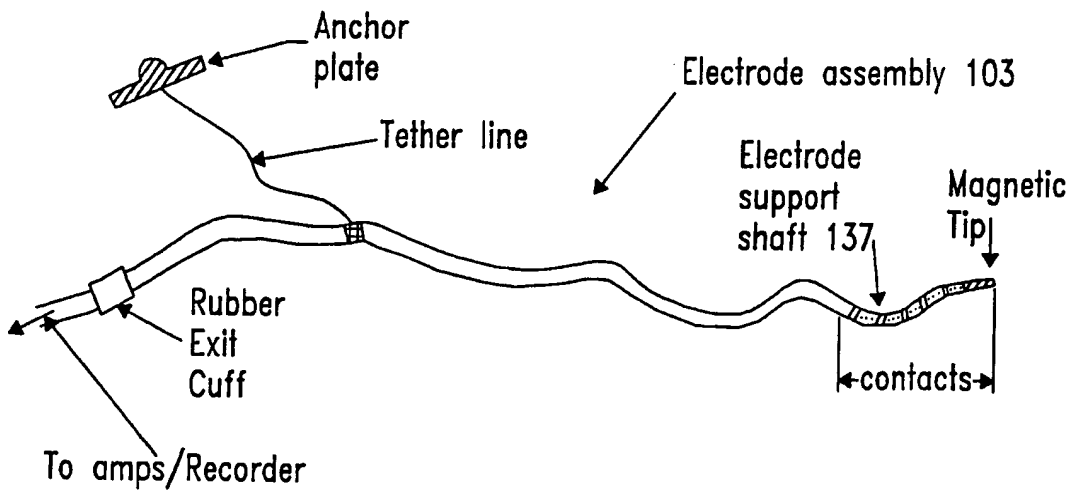


FIG. 13B

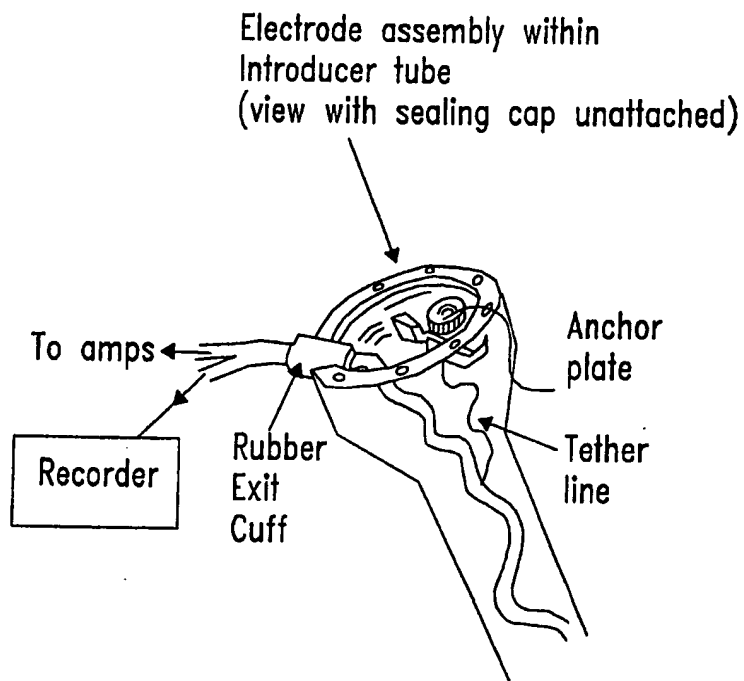


FIG. 13C

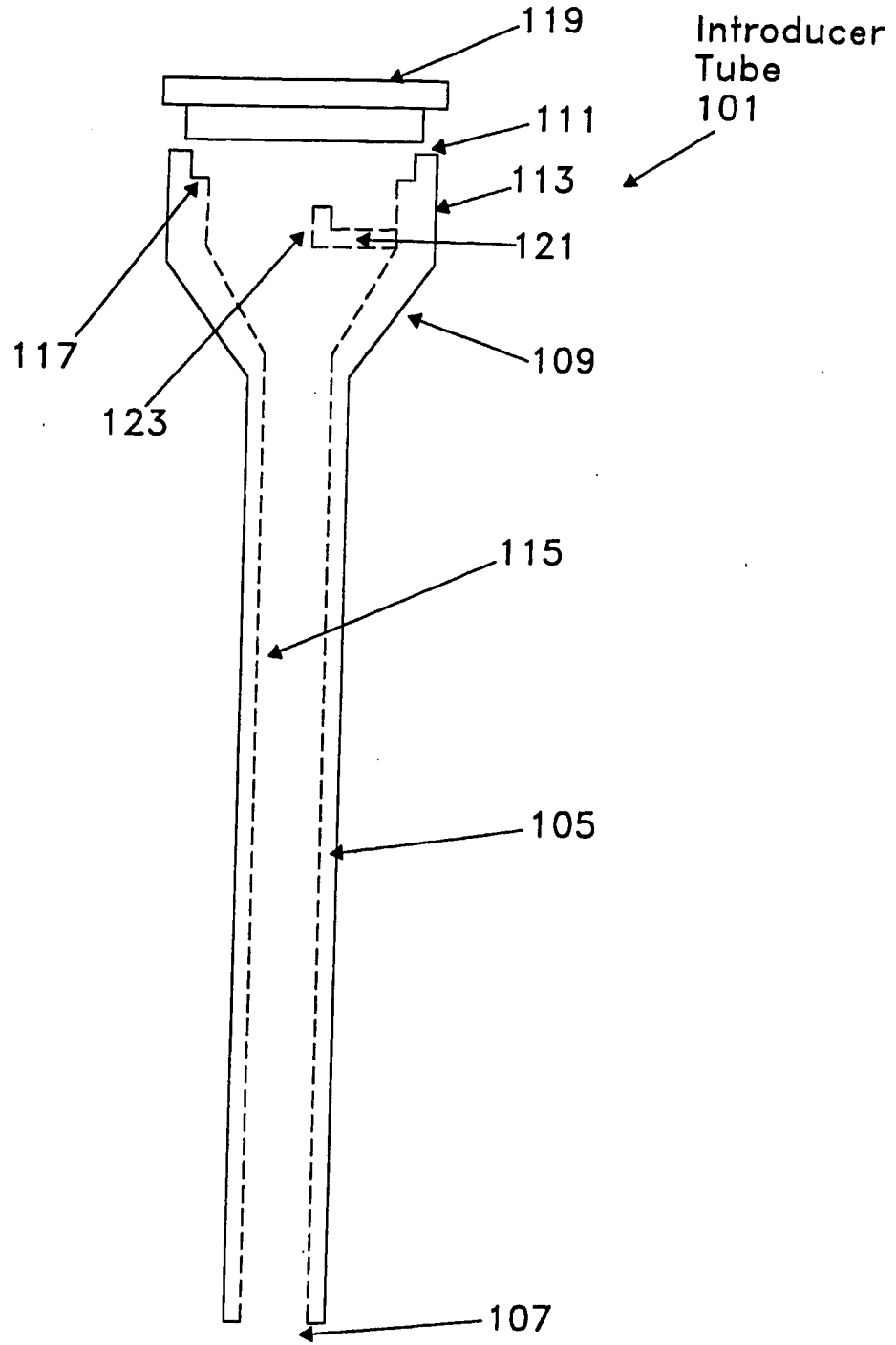


FIG. 14

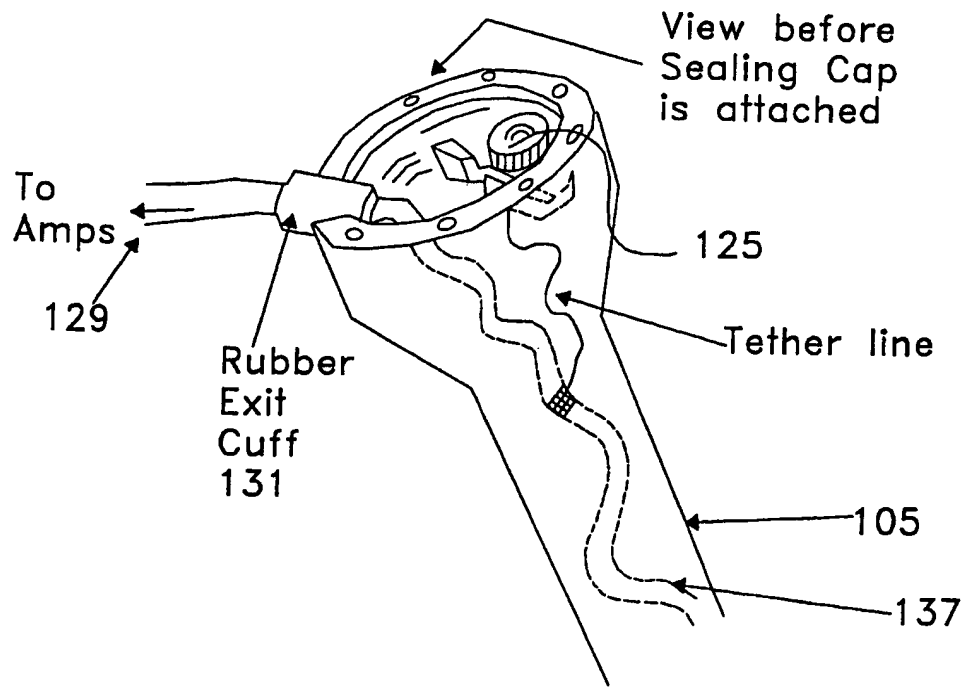


FIG. 15

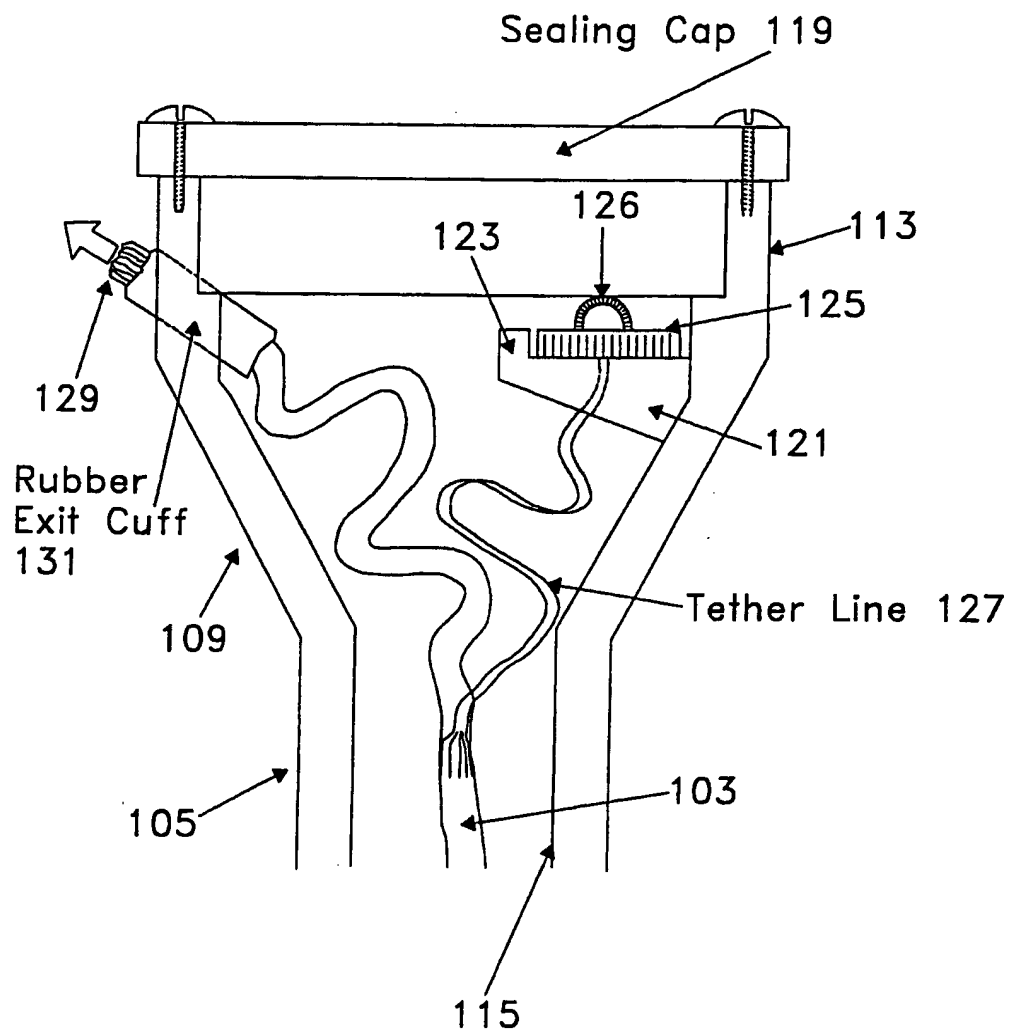


FIG. 16

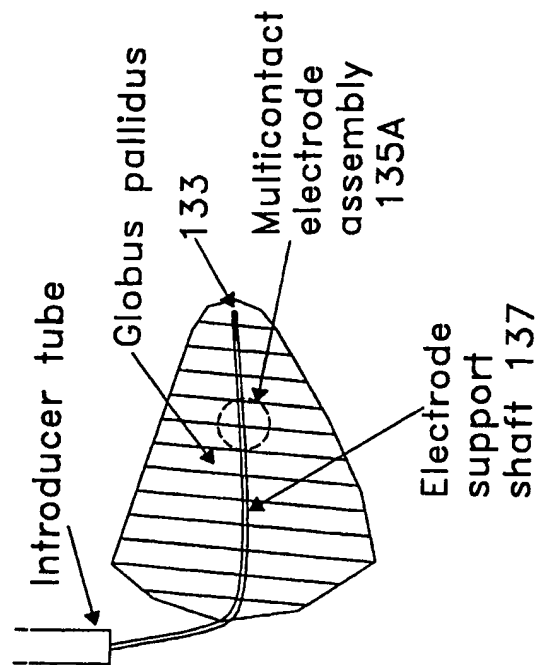
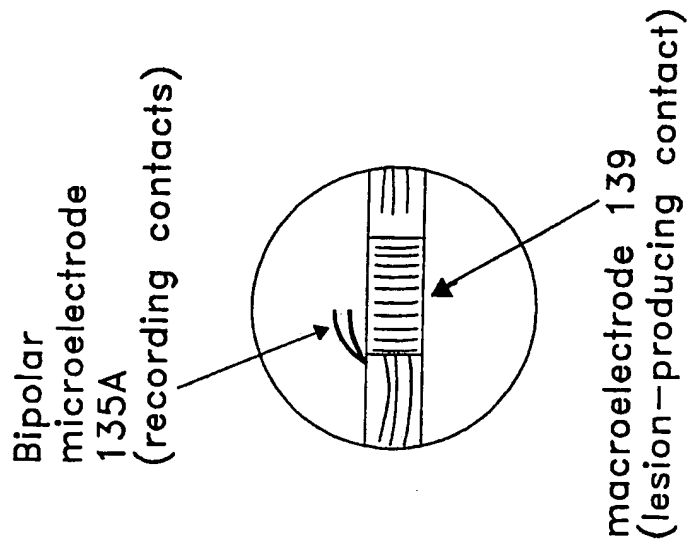


FIG. 17

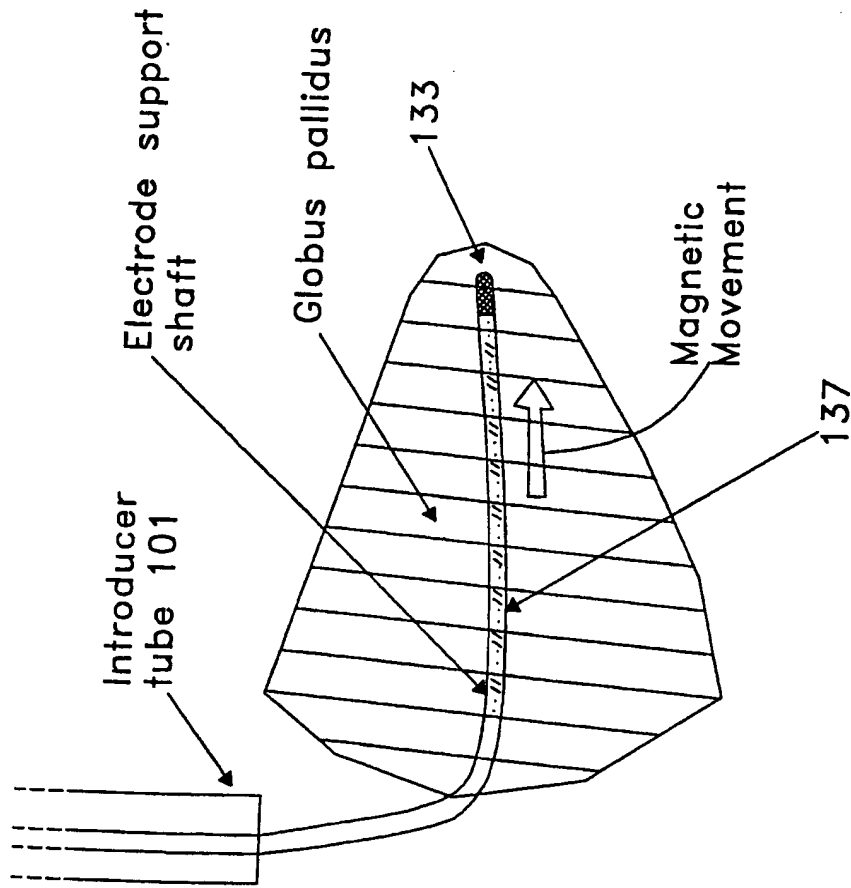


FIG. 18

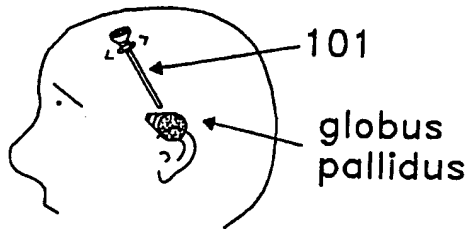


FIG 19a

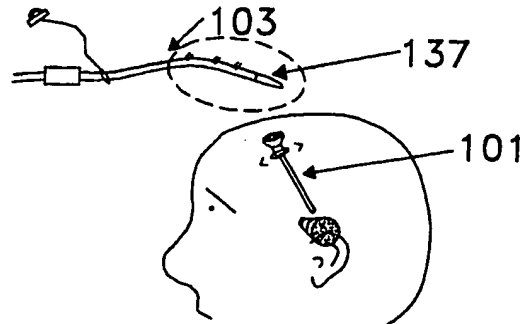


FIG 19b

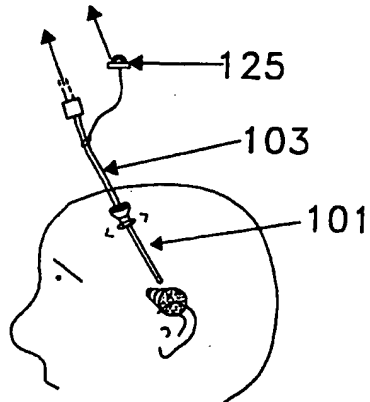


FIG 19g

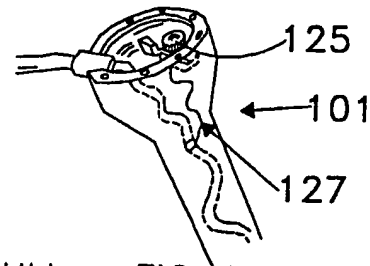


FIG 19c

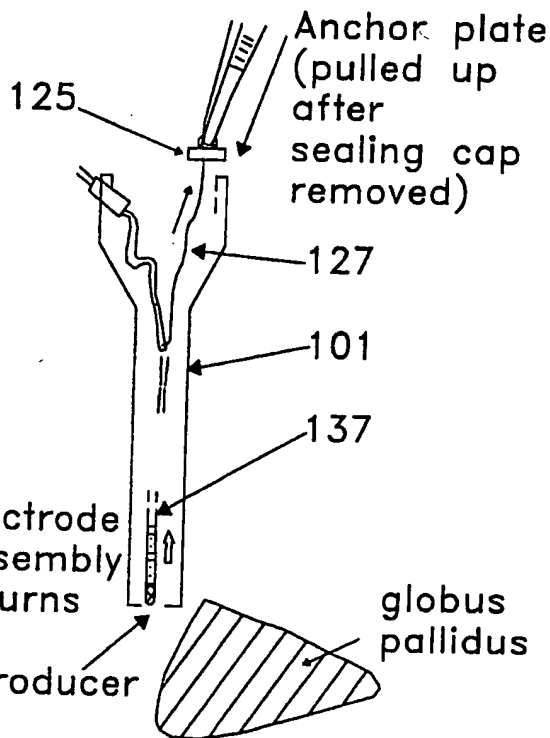


FIG 19f

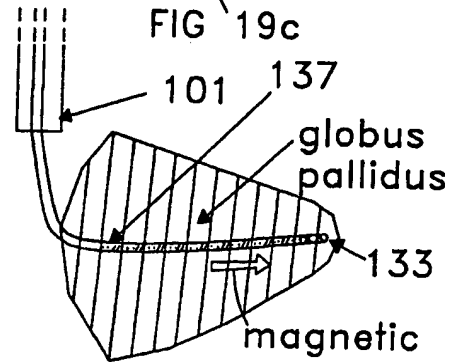


FIG 19d

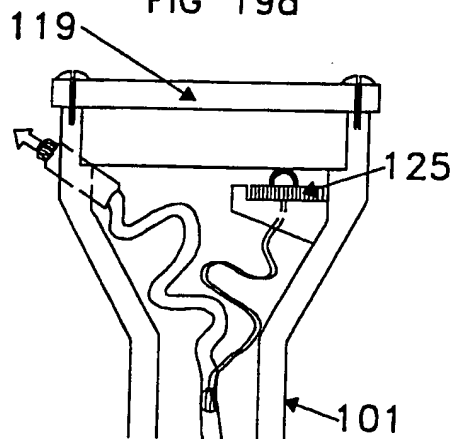


FIG 19e

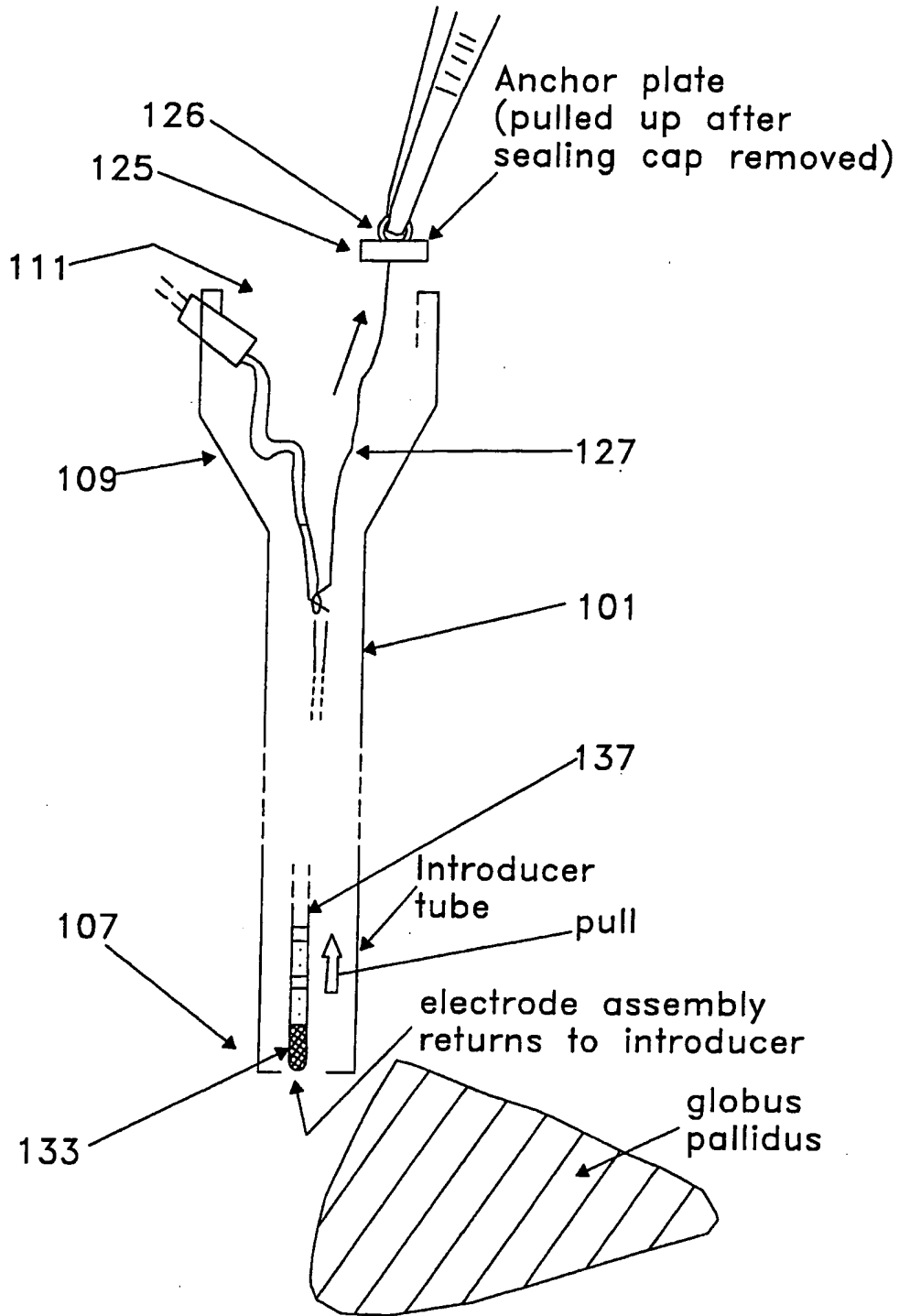


FIG. 20



FIG 21a

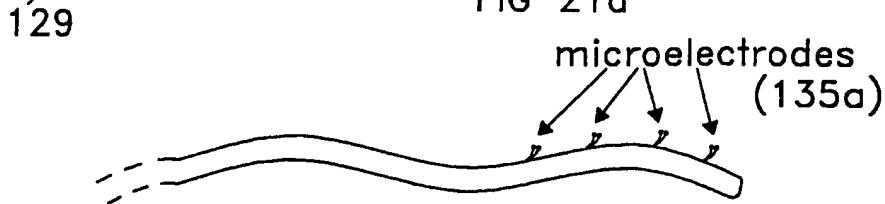


FIG 21b

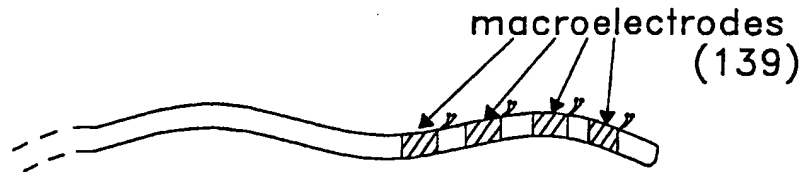


FIG 21c

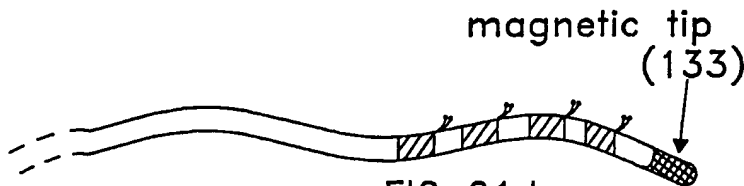


FIG 21d

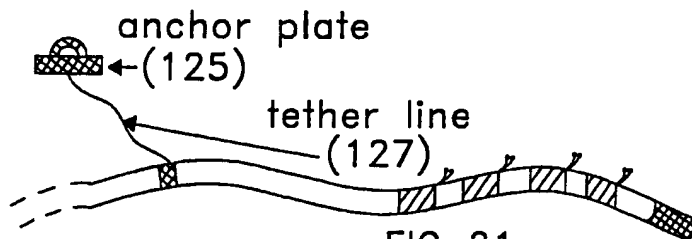


FIG 21e

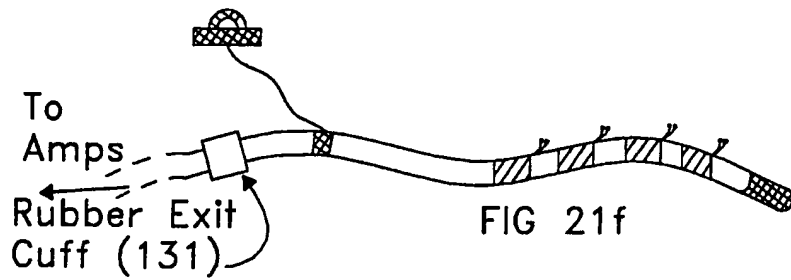
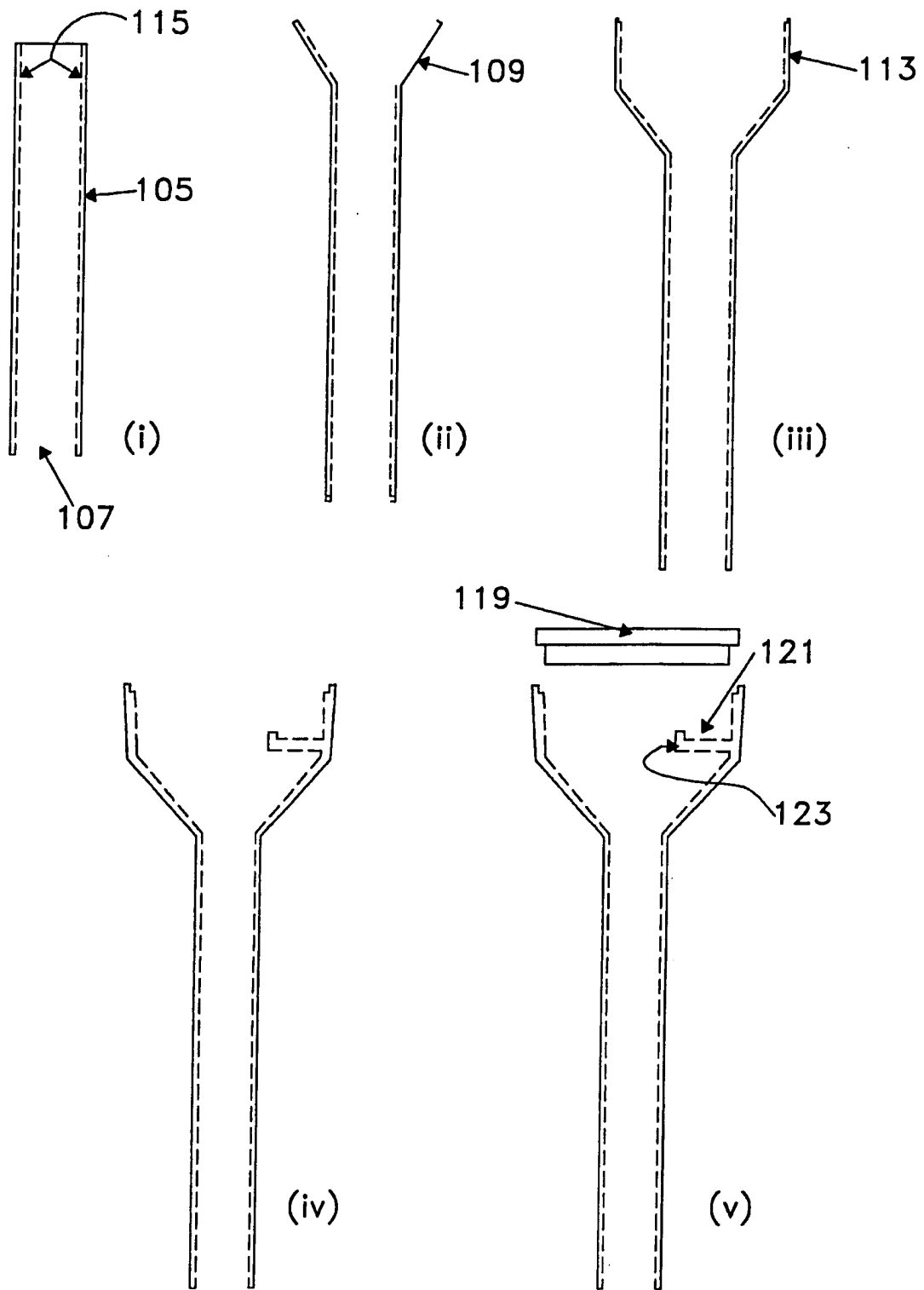


FIG 21f



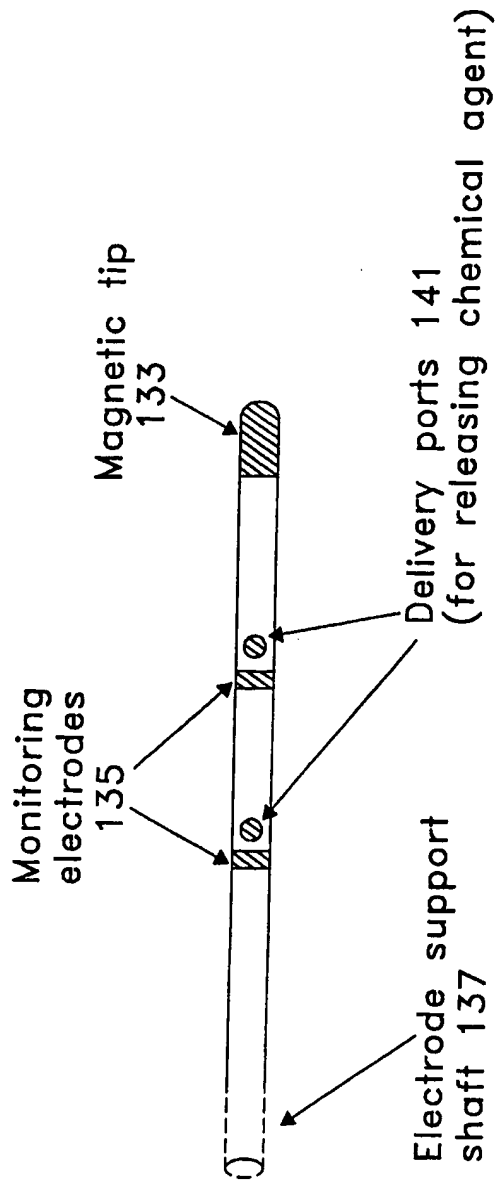


FIG. 23

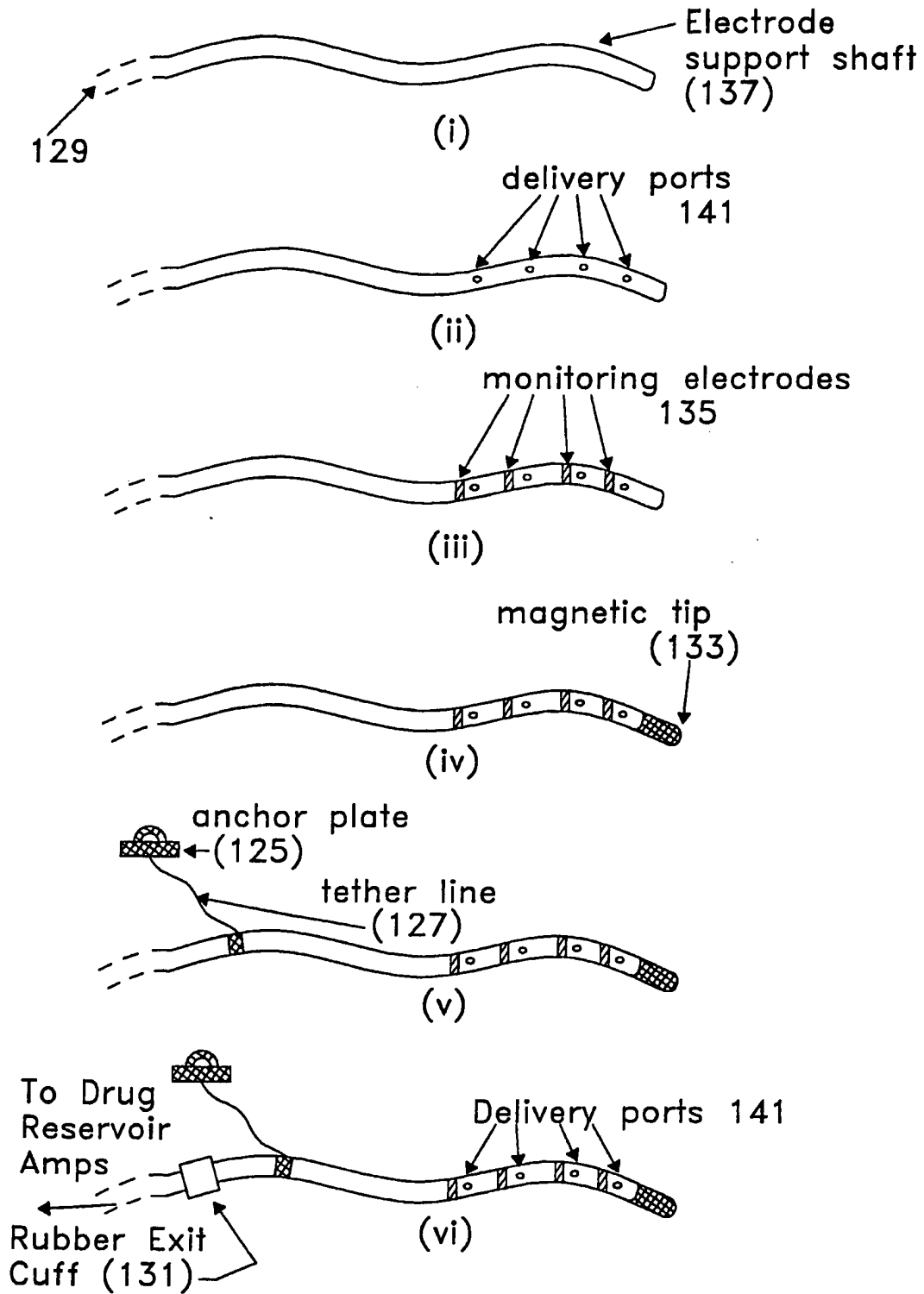


FIG. 24

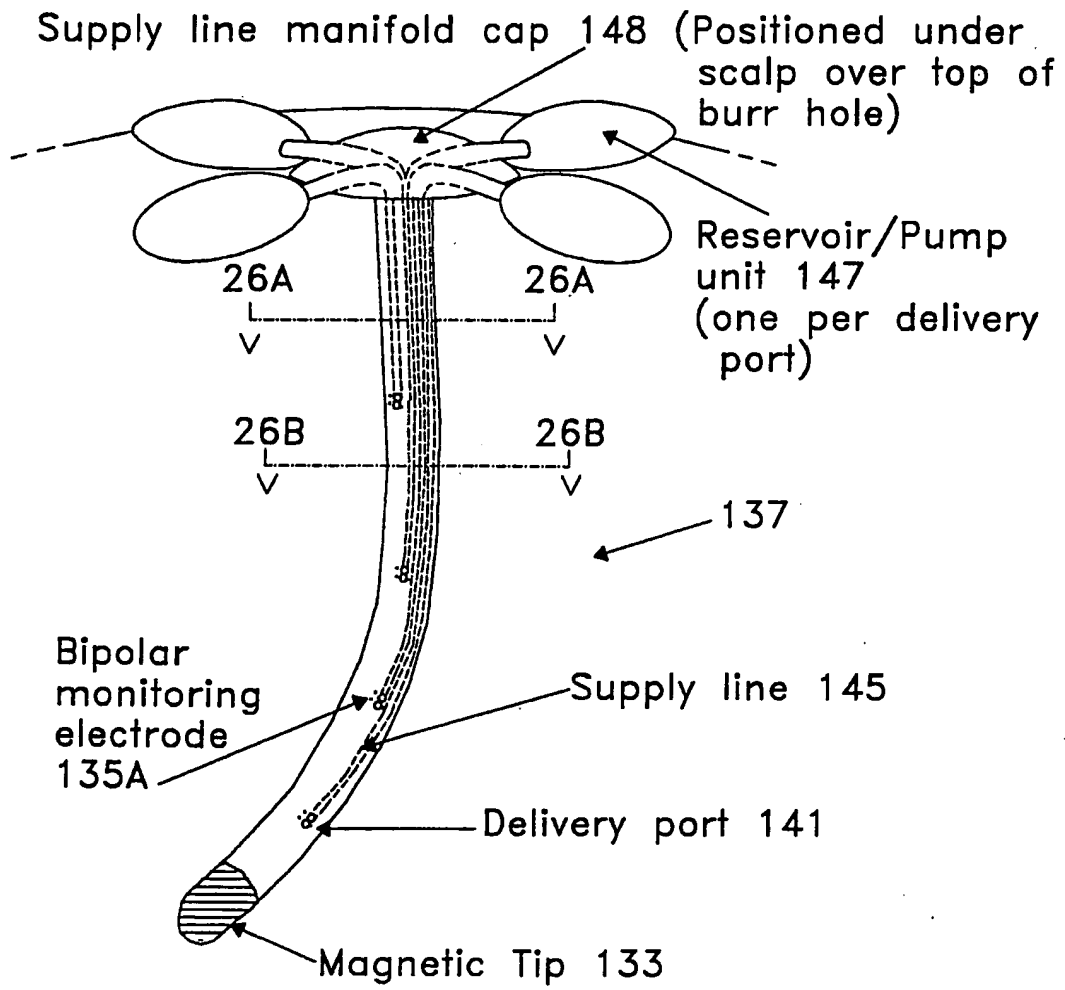


FIG. 25

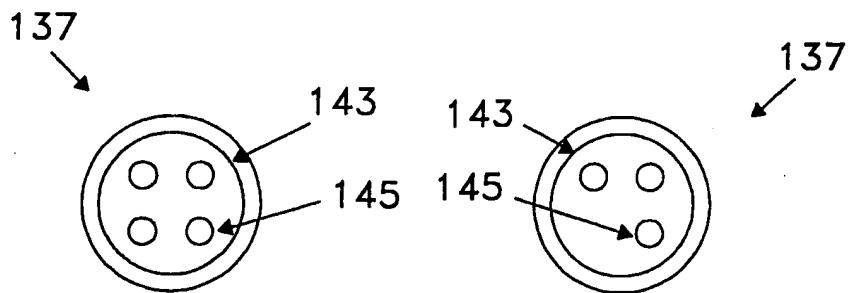


FIG. 26A

FIG. 26B

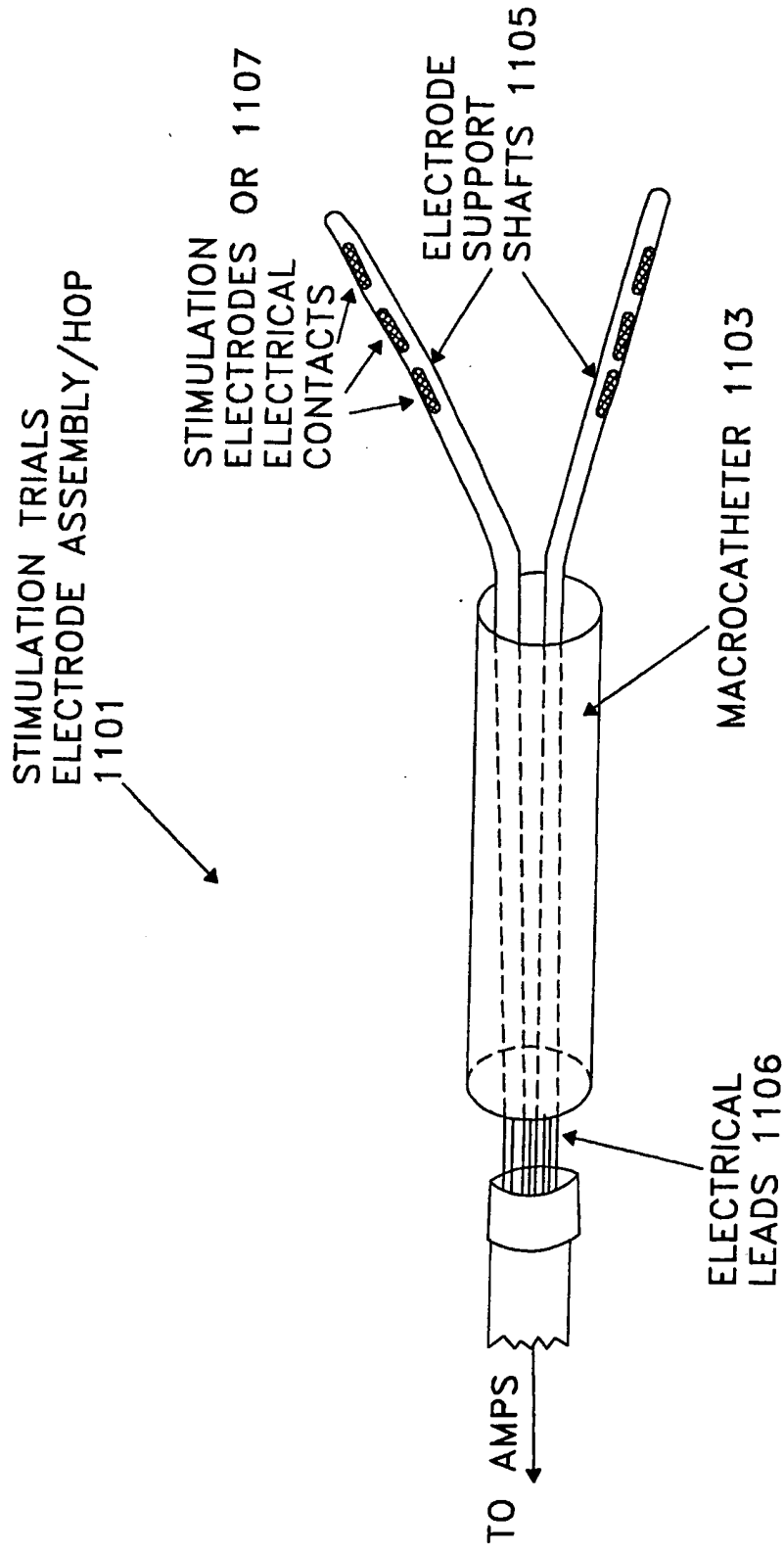


FIG. 27A

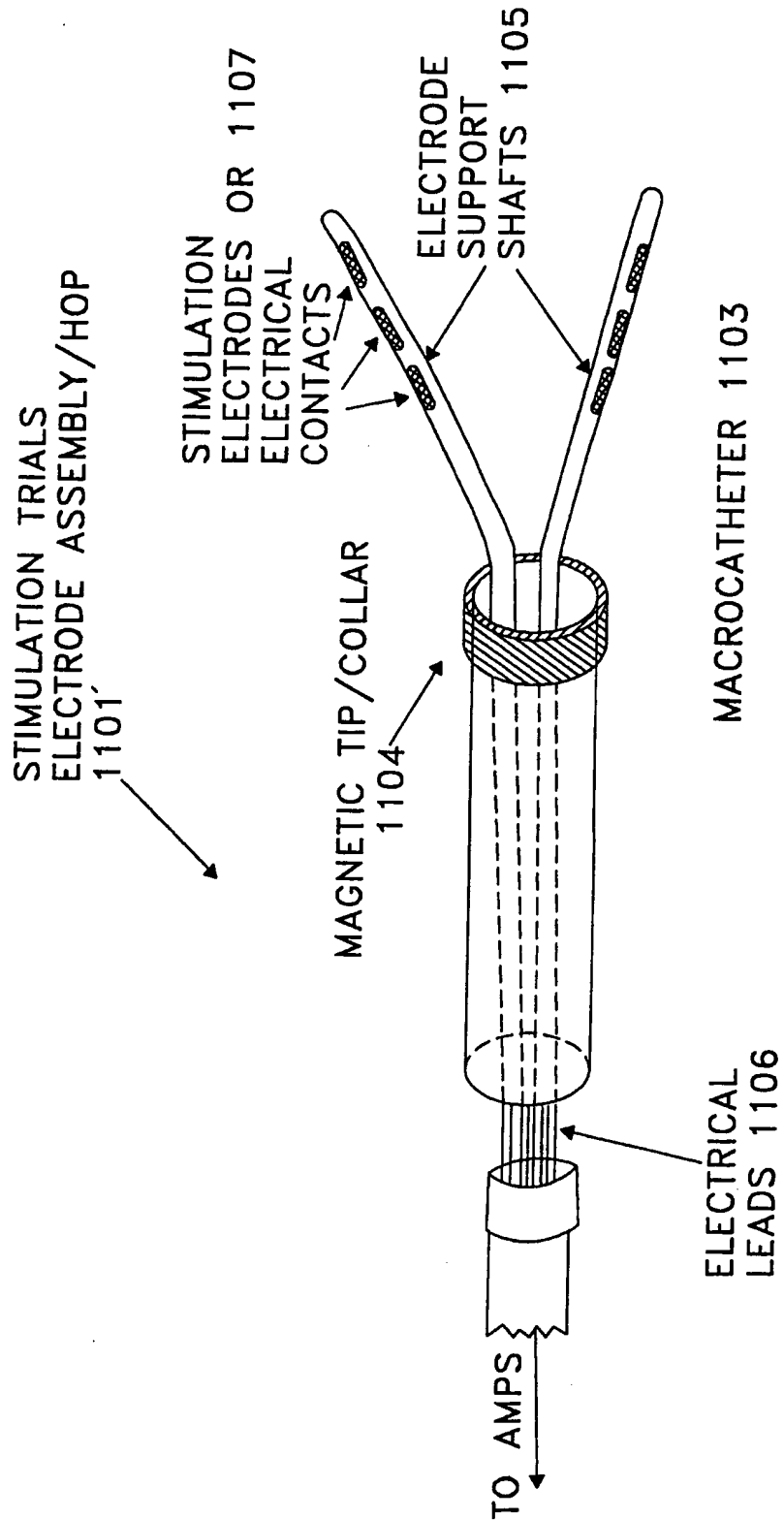


FIG. 27B

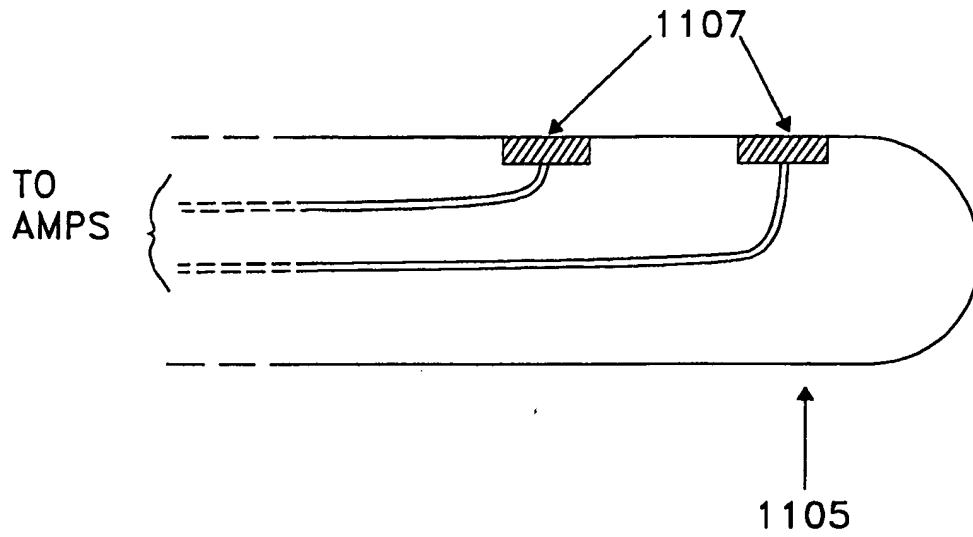


FIG. 28A

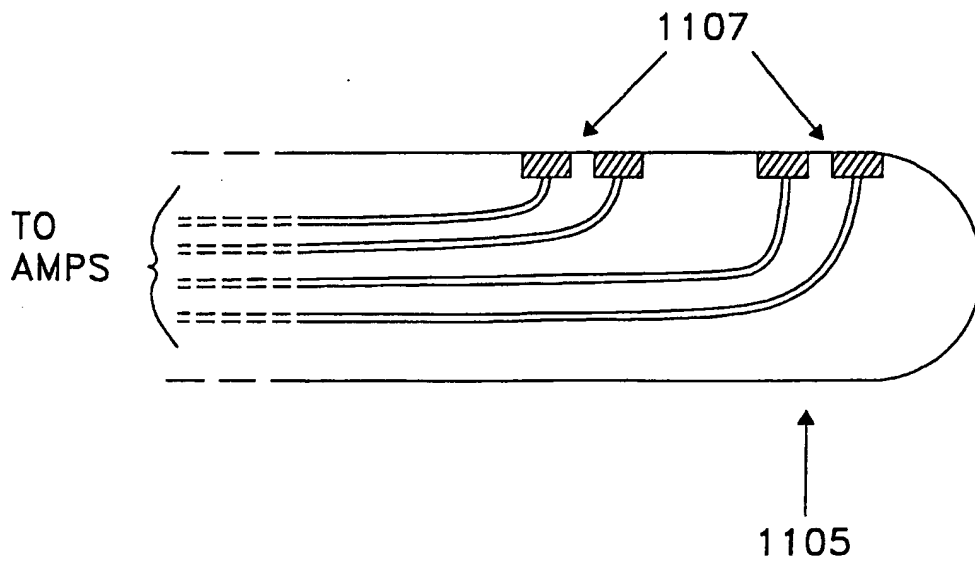


FIG. 28B

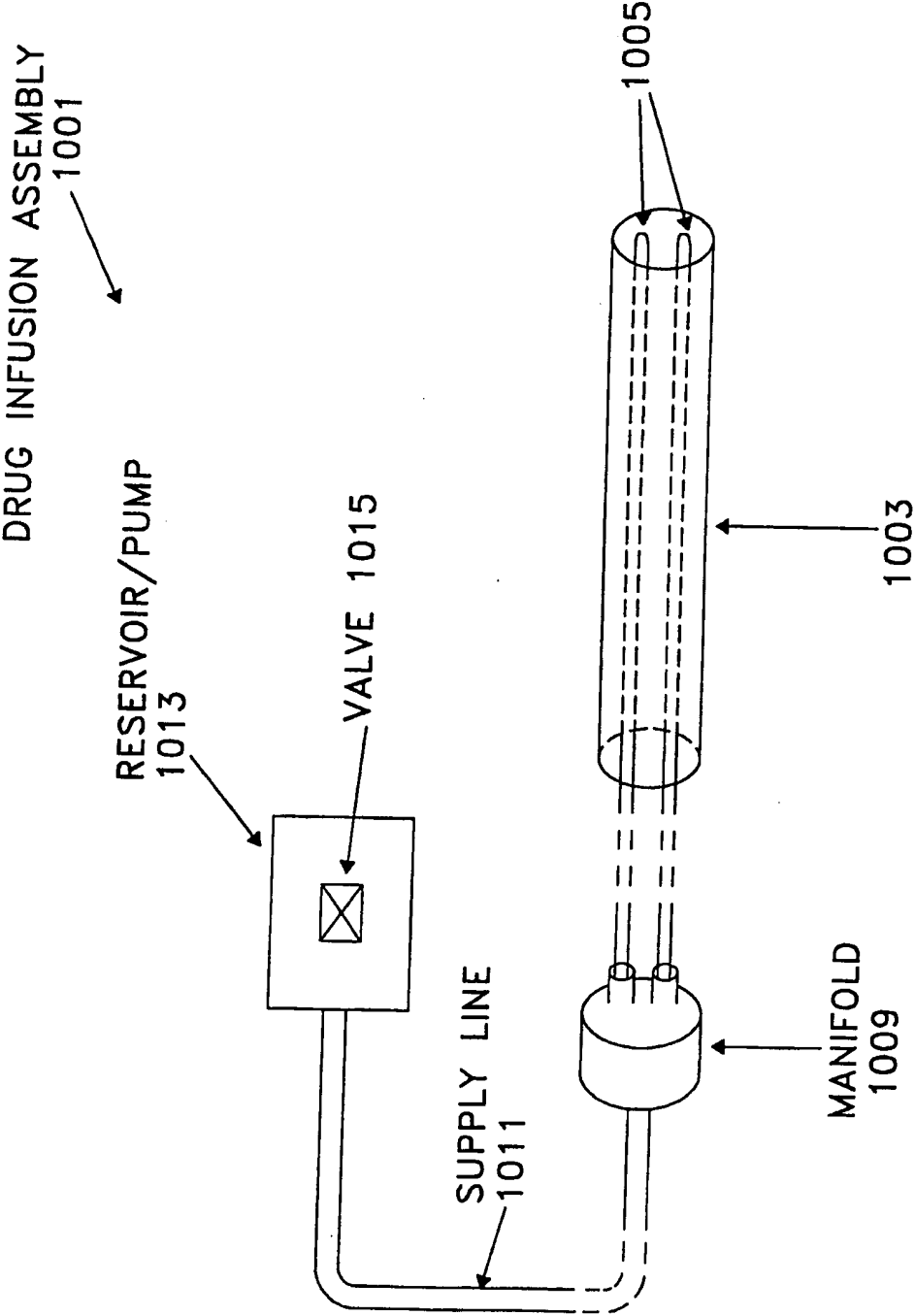


FIG. 29A

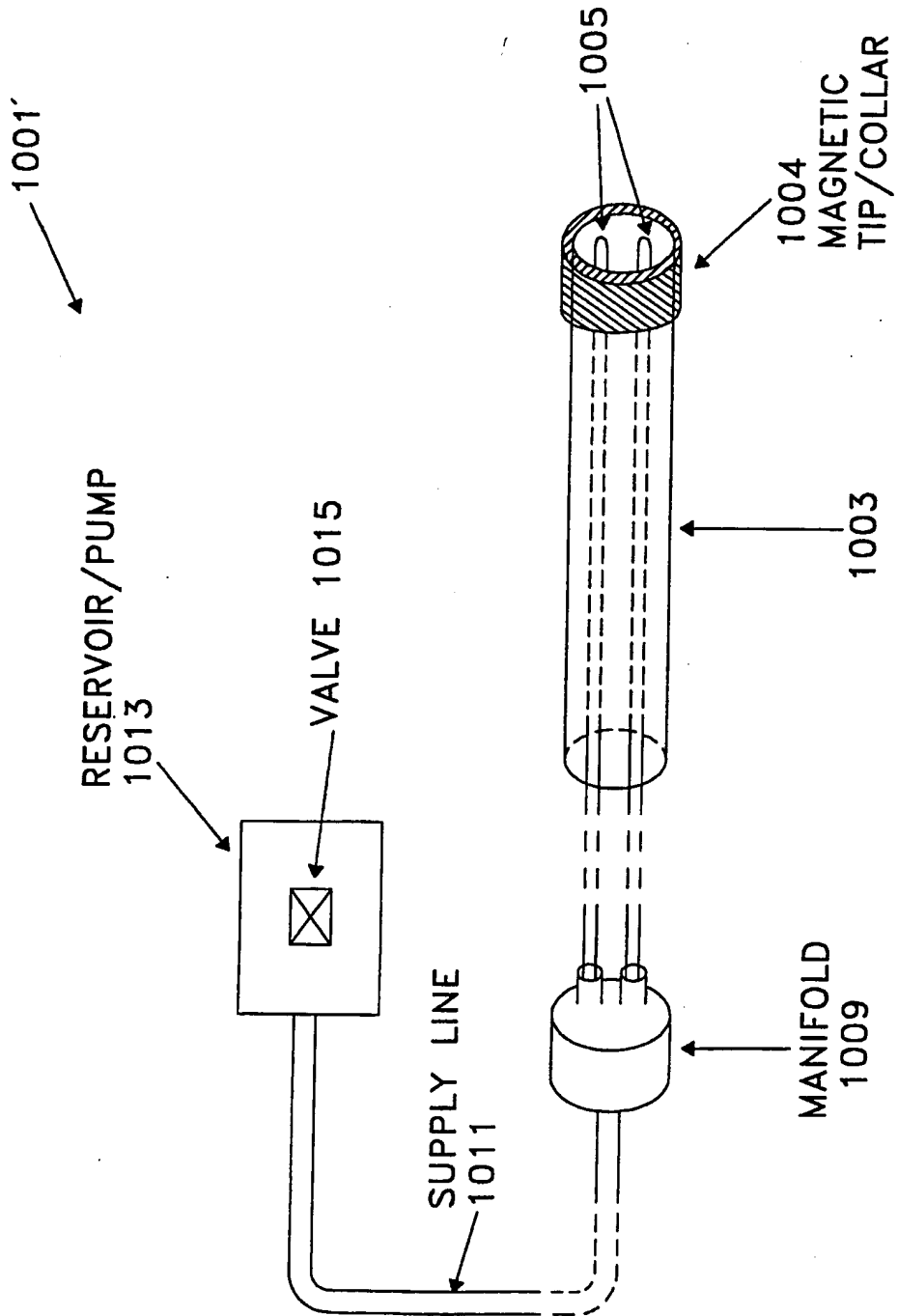


FIG. 29B

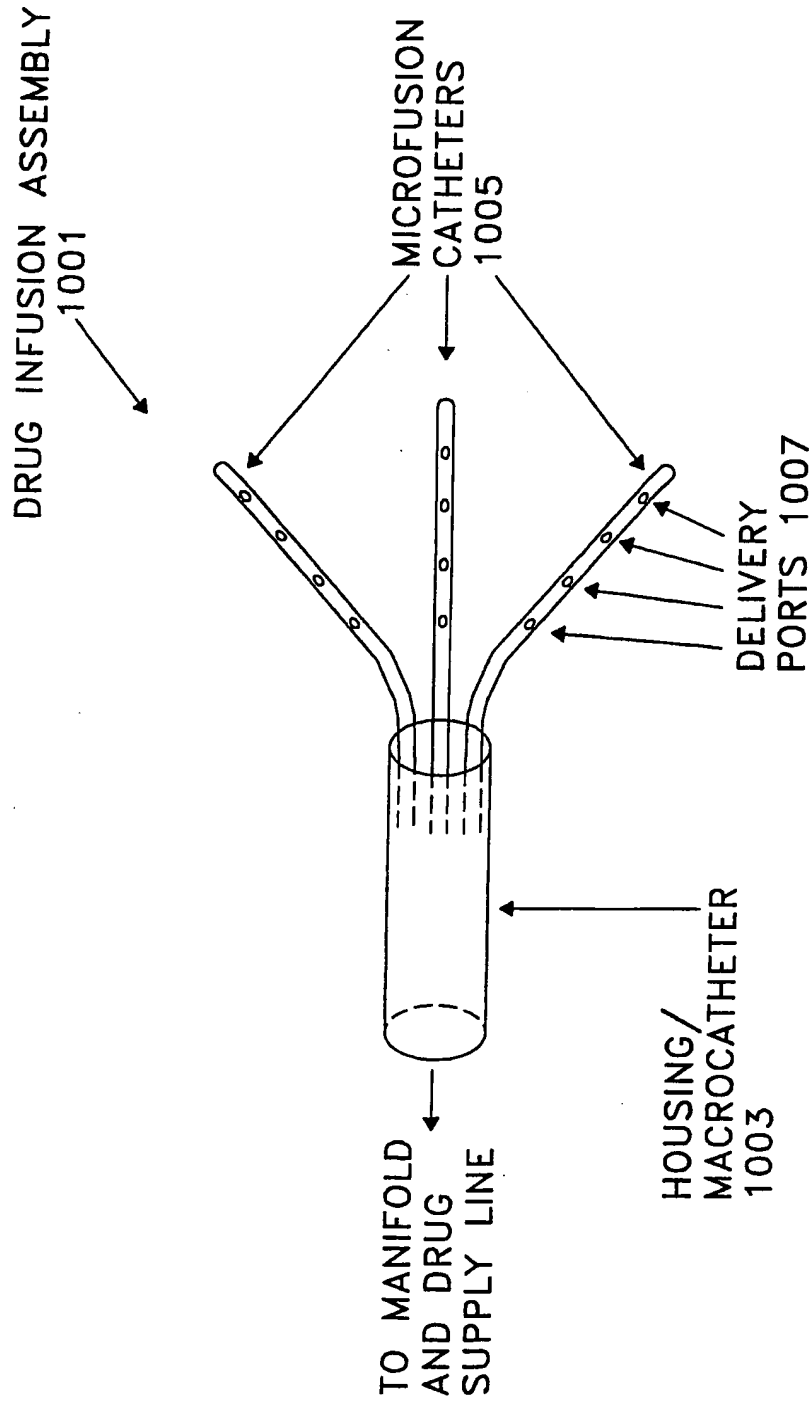


FIG. 30

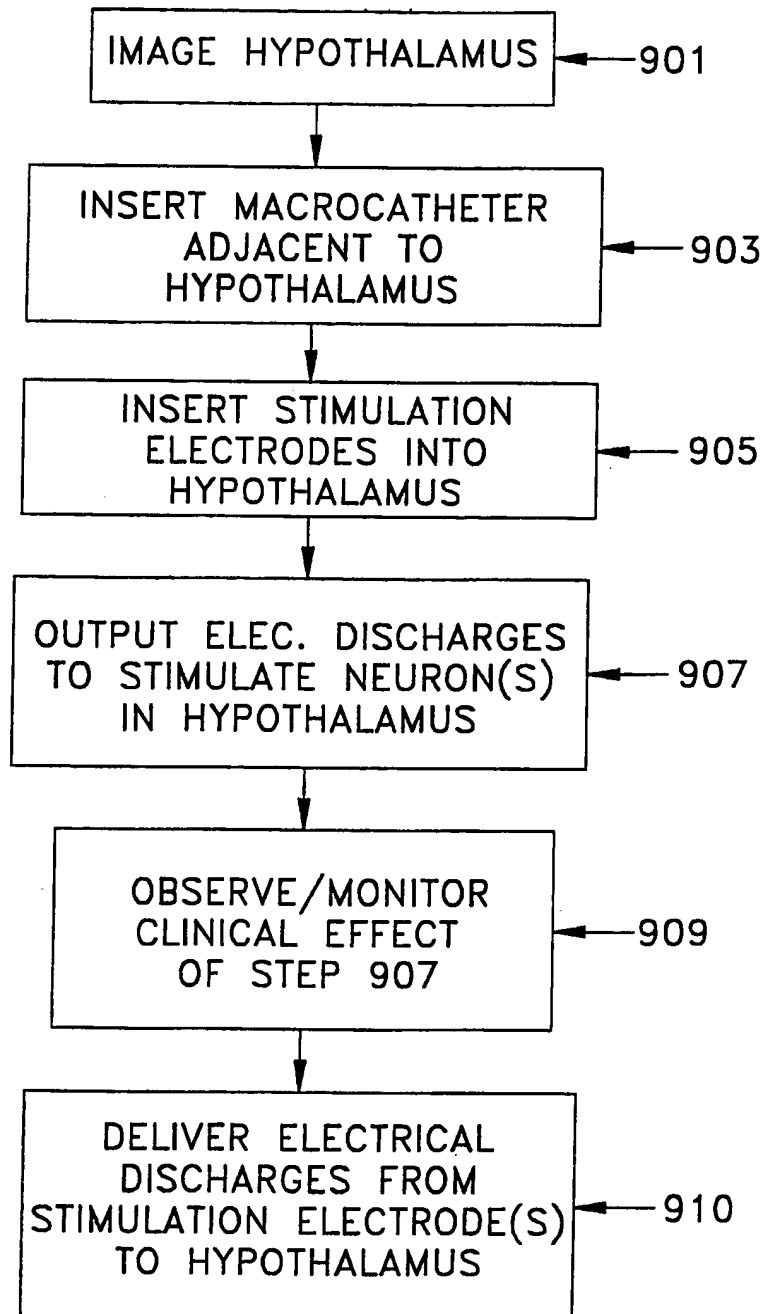


FIG. 31

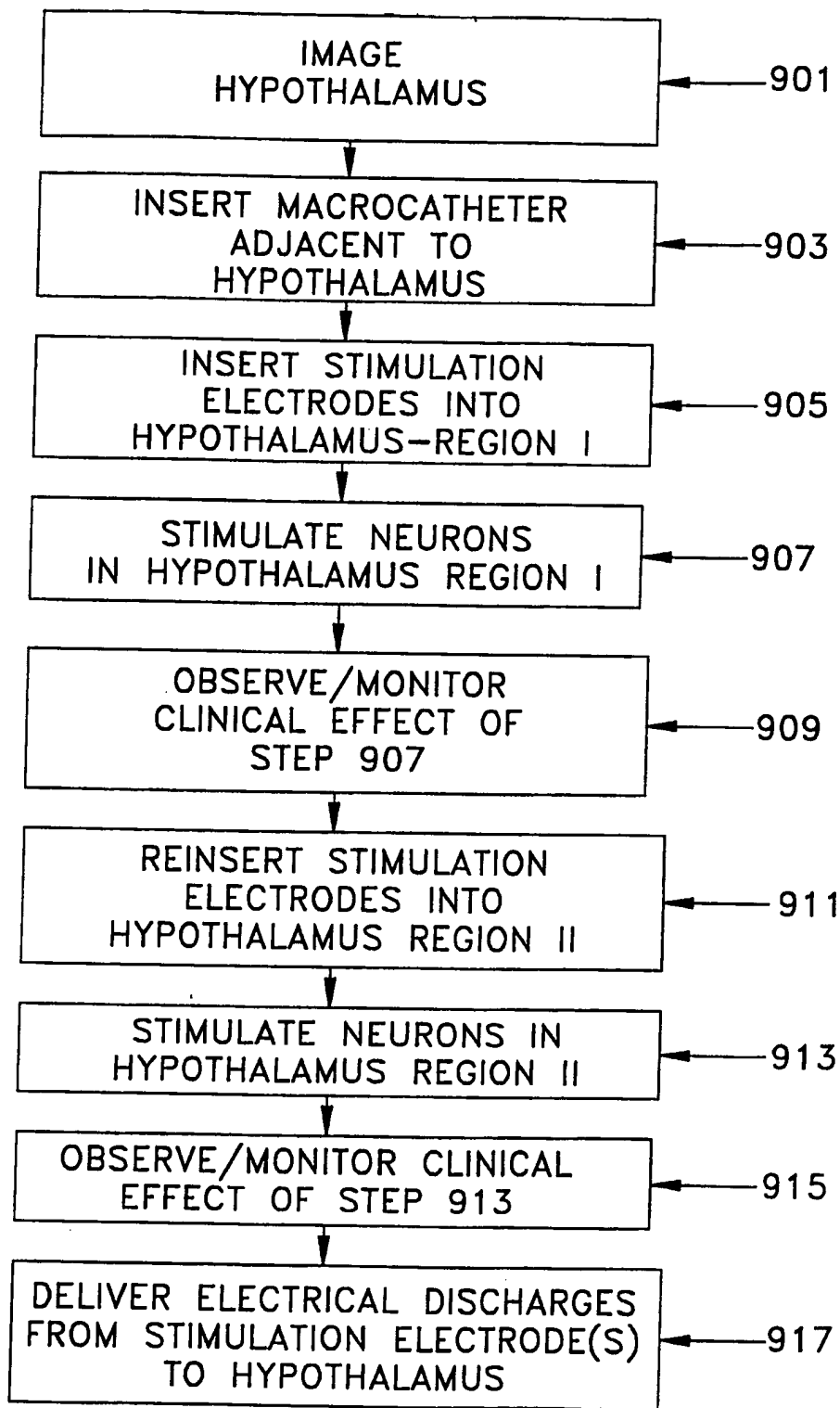


FIG. 32

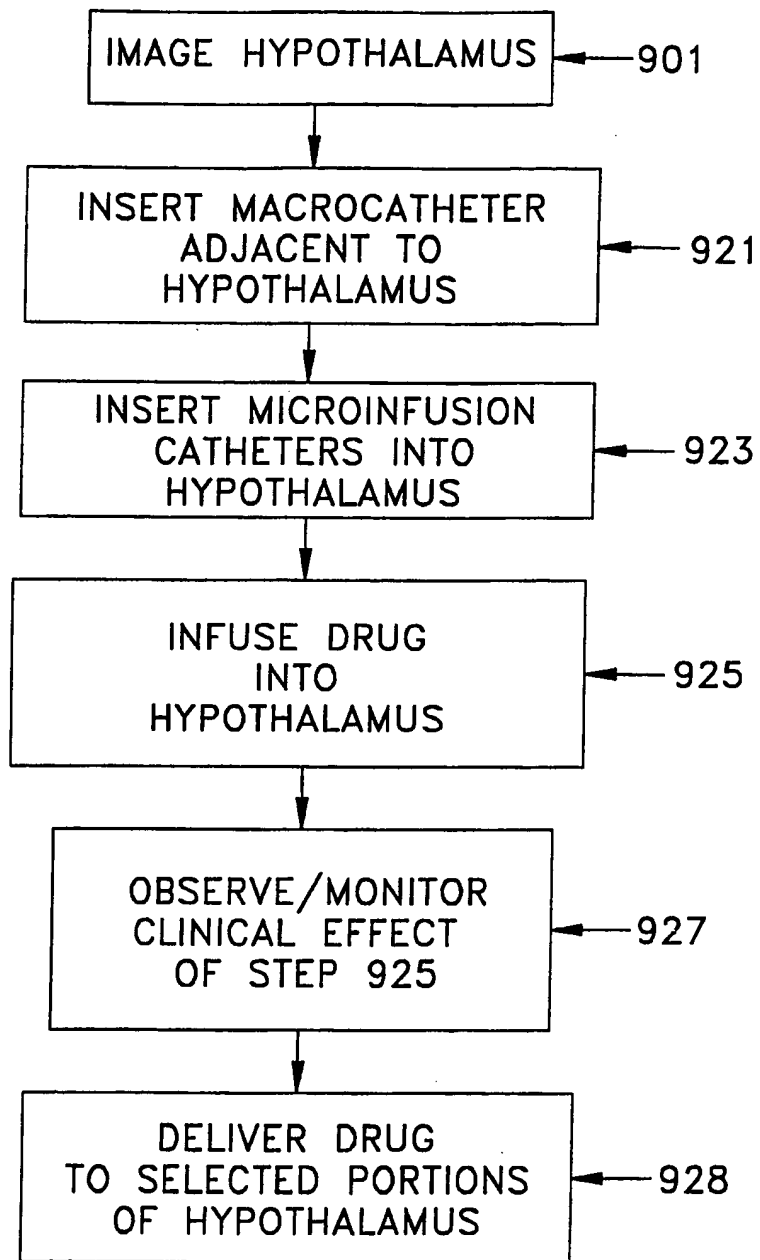


FIG. 33

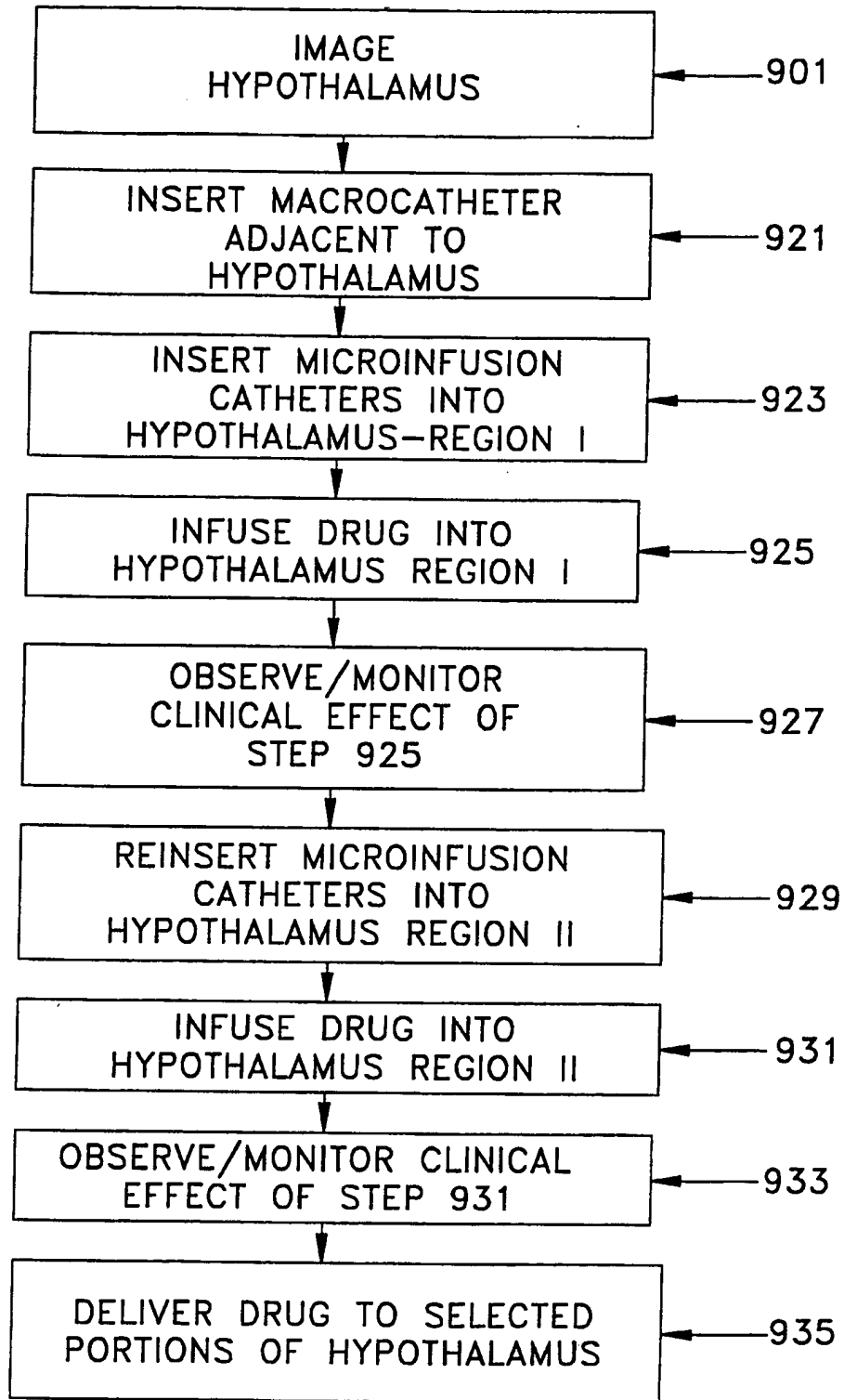


FIG. 34

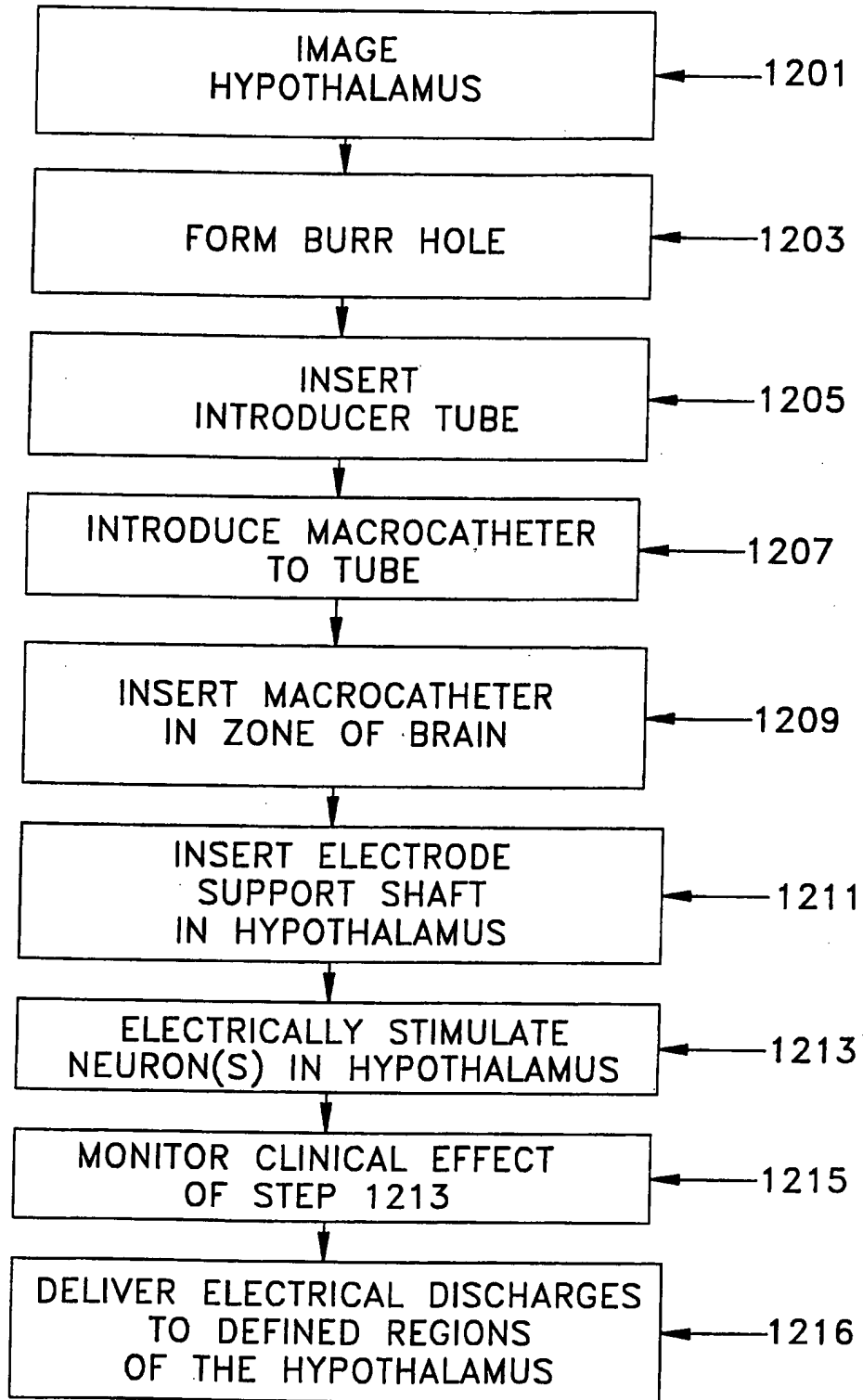


FIG. 35A

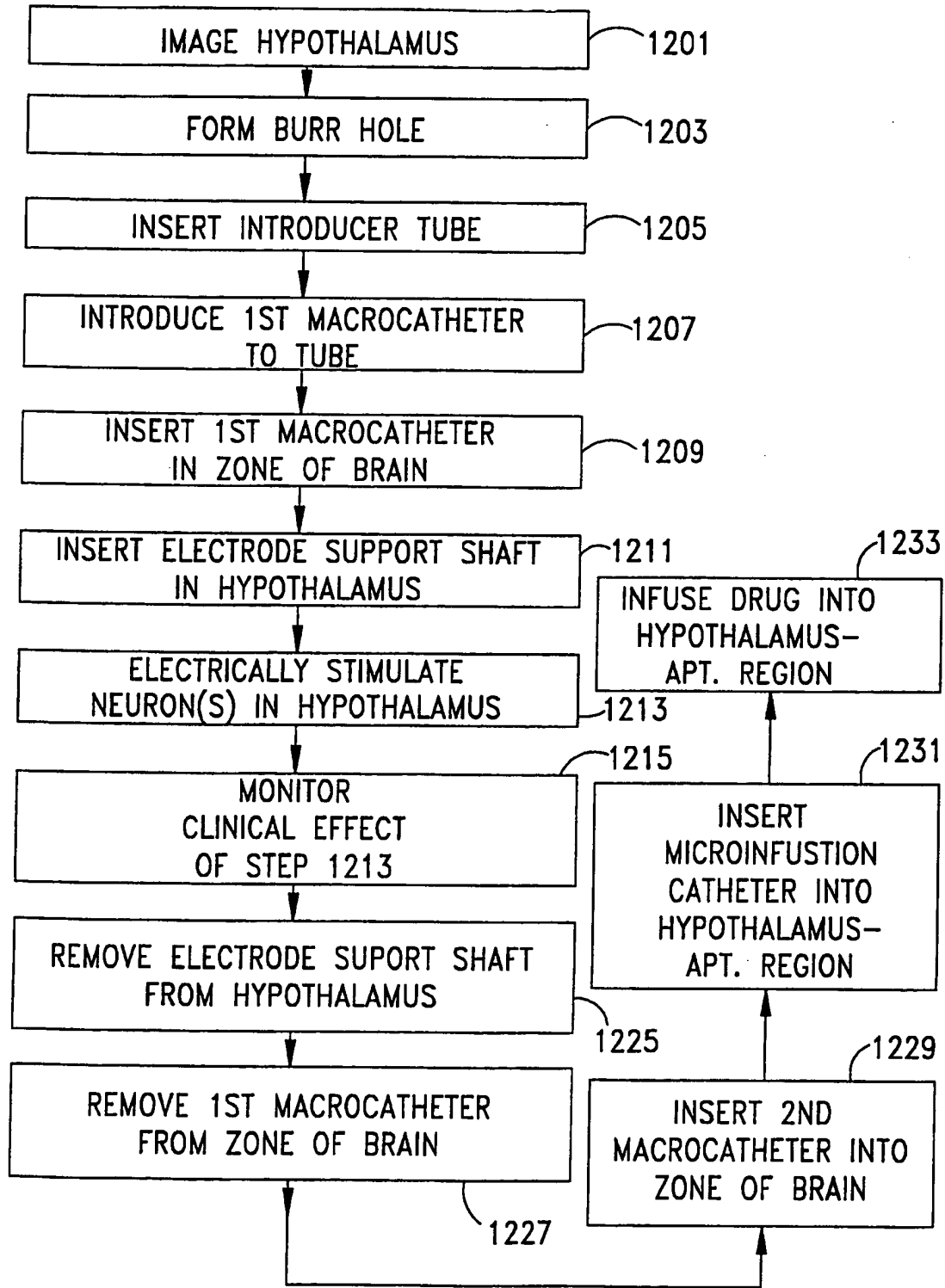


FIG. 35B

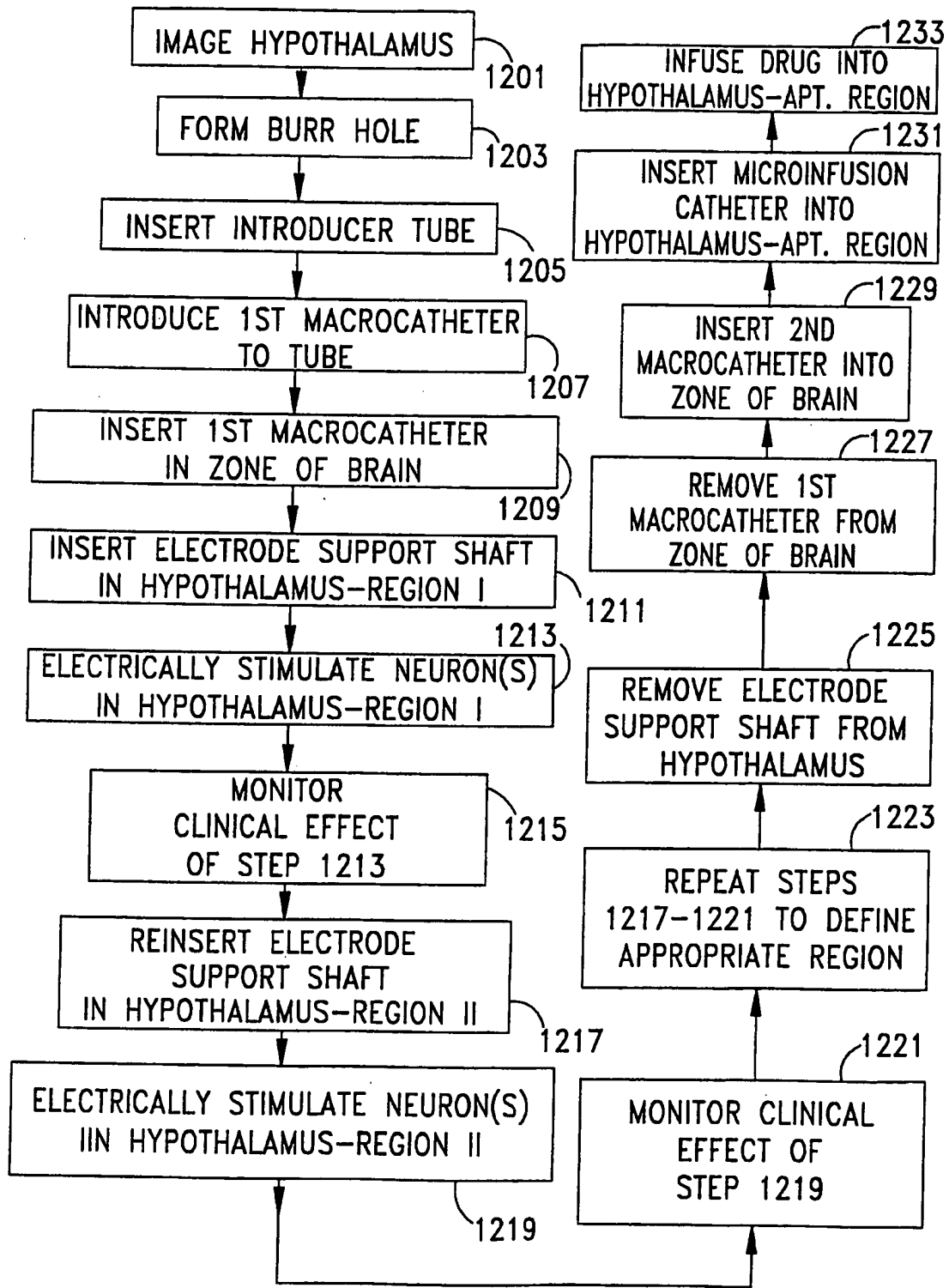


FIG. 35C

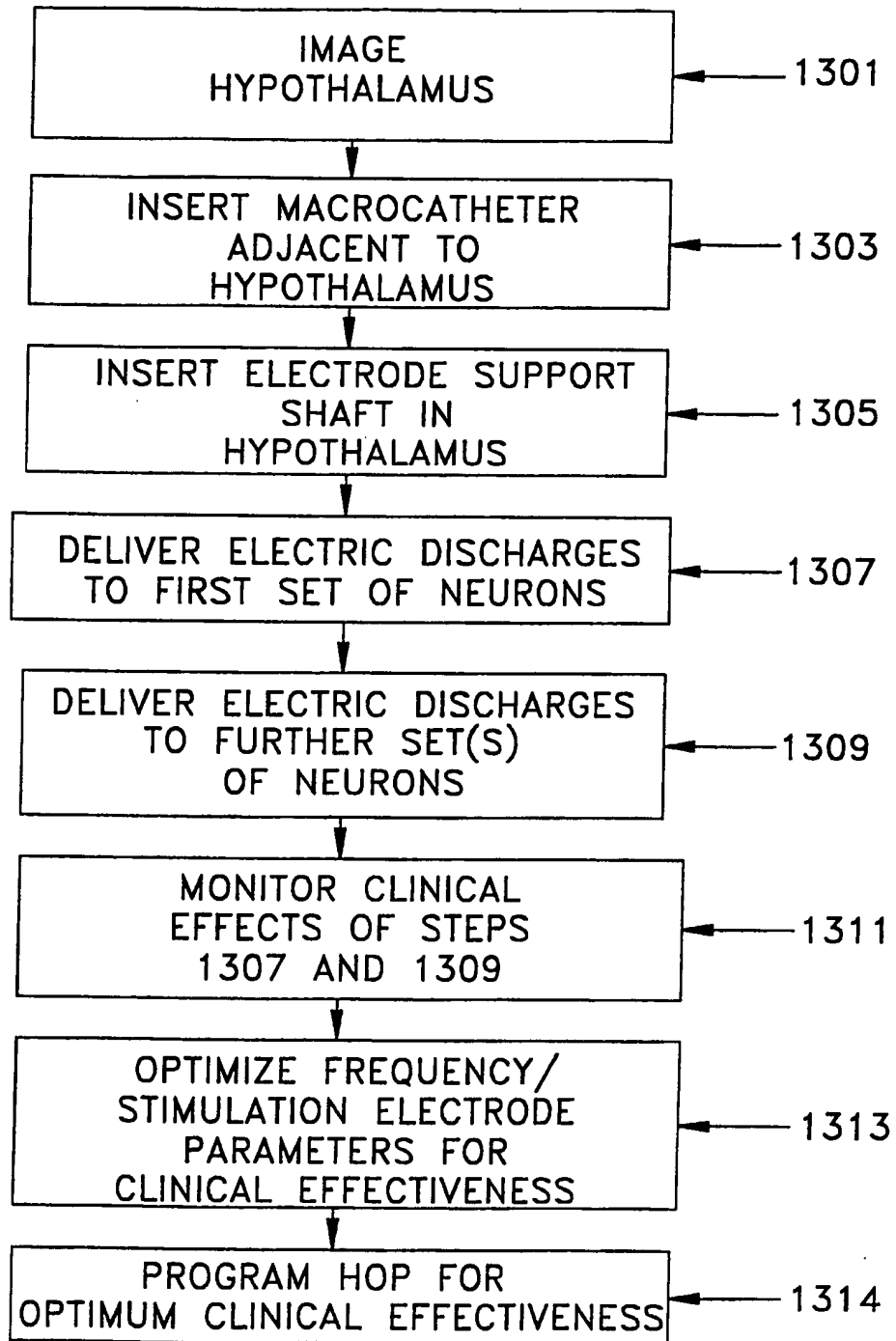


FIG. 36A

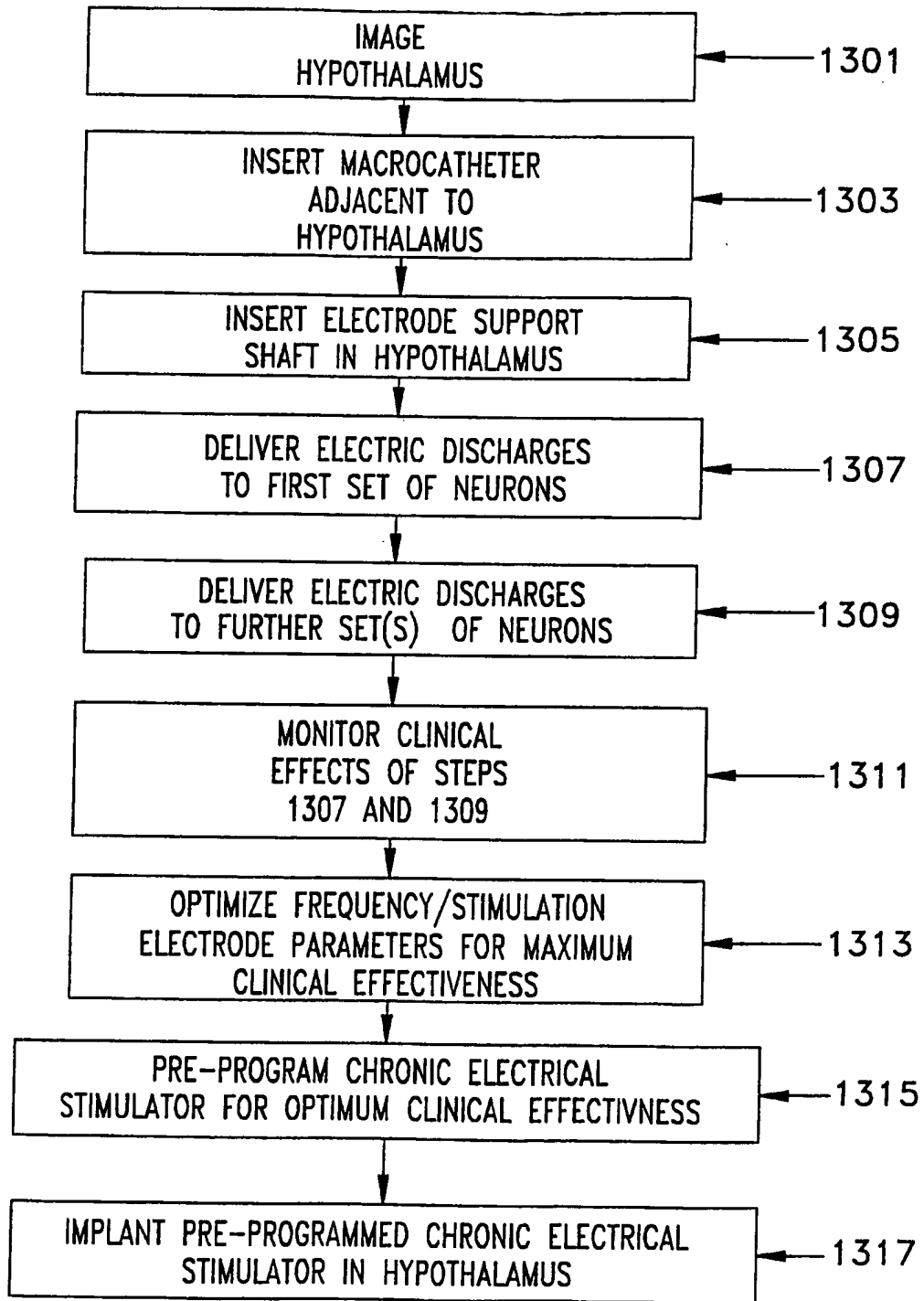


FIG. 36B

INTERNATIONAL SEARCH REPORT

International application No.
PCT/US98/12804

A. CLASSIFICATION OF SUBJECT MATTER IPC(6) :A61B 19/00 US CL :606/130 According to International Patent Classification (IPC) or to both national classification and IPC		
B. FIELDS SEARCHED Minimum documentation searched (classification system followed by classification symbols) U.S. : 600/372-374, 377, 378, 380, 383, 393; 604/131, 151, 153, 154, 156, 164, 257, 258, 264, 280; 606/130; 607/2, 115-121 Documentation searched other than minimum documentation to the extent that such documents are included in the fields searched Electronic data base consulted during the international search (name of data base and, where practicable, search terms used) Please See Extra Sheet.		
C. DOCUMENTS CONSIDERED TO BE RELEVANT		
Category*	Citation of document, with indication, where appropriate, of the relevant passages	Relevant to claim No.
X	US 4,522,212 A (GELINAS et al) 11 June 1985, entire document.	1, 3
Y		4-7, 32
Y	US 4,968,306 A (HUSS et al) 06 November 1990, entire document.	8, 12-15, 35-38
Y	US 5,053,002 A (BARLOW) 01 October 1991, Figs. 1-6.	8, 12-15, 35-38
Y	US 4,245,645 A (ARSENEAULT et al) 20 January 1981, col. 3 line 26 to col. 8 line 64.	16, 17, 19-21, 24, 26, 32-34
Y	US 5,429,131 A (SCHEINMAN et al) 04 July 1995, entire document.	26
<input type="checkbox"/> Further documents are listed in the continuation of Box C. <input type="checkbox"/> See patent family annex.		
* Special categories of cited documents:		
A	document defining the general state of the art which is not considered to be of particular relevance	*T* later document published after the international filing date or priority date and not in conflict with the application but cited to understand the principle or theory underlying the invention
E	earlier document published on or after the international filing date	*X* document of particular relevance; the claimed invention cannot be considered novel or cannot be considered to involve an inventive step when the document is taken alone
L	document which may throw doubts on priority claim(s) or which is cited to establish the publication date of another citation or other special reason (as specified)	*Y* document of particular relevance; the claimed invention cannot be considered to involve an inventive step when the document is combined with one or more other such documents, such combination being obvious to a person skilled in the art
O	document referring to an oral disclosure, use, exhibition or other means	*A* document member of the same patent family
P	document published prior to the international filing date but later than the priority date claimed	
Date of the actual completion of the international search		Date of mailing of the international search report
27 AUGUST 1998		25 SEP 1998
Name and mailing address of the ISA/US Commissioner of Patents and Trademarks Box PCT Washington, D.C. 20231		Authorized officer JUSTINE YU <i>Justin Polman</i>
Facsimile No. (703) 305-3230		Telephone No. (703) 308-2675

INTERNATIONAL SEARCH REPORT

International application No.
PCT/US98/12804

B. FIELDS SEARCHED

Electronic data bases consulted (Name of data base and where practicable terms used):

APS

Search Terms: electrode#(2a)(shafts or probes or tubes), catheter, magnetic (2a)(tip or end); catheter, magnetic and electrodes; (head or brain or hypothalam###)(p)(stimulat? electrodes).